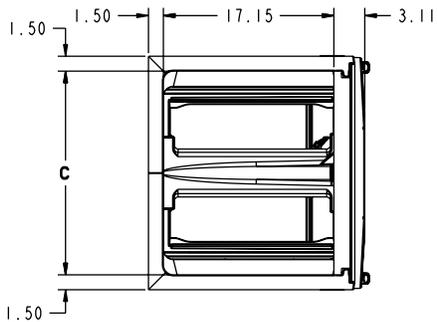
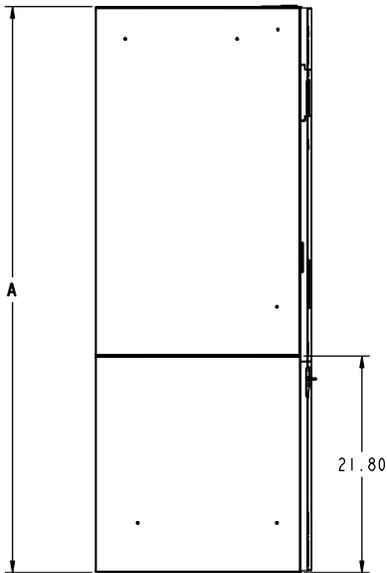
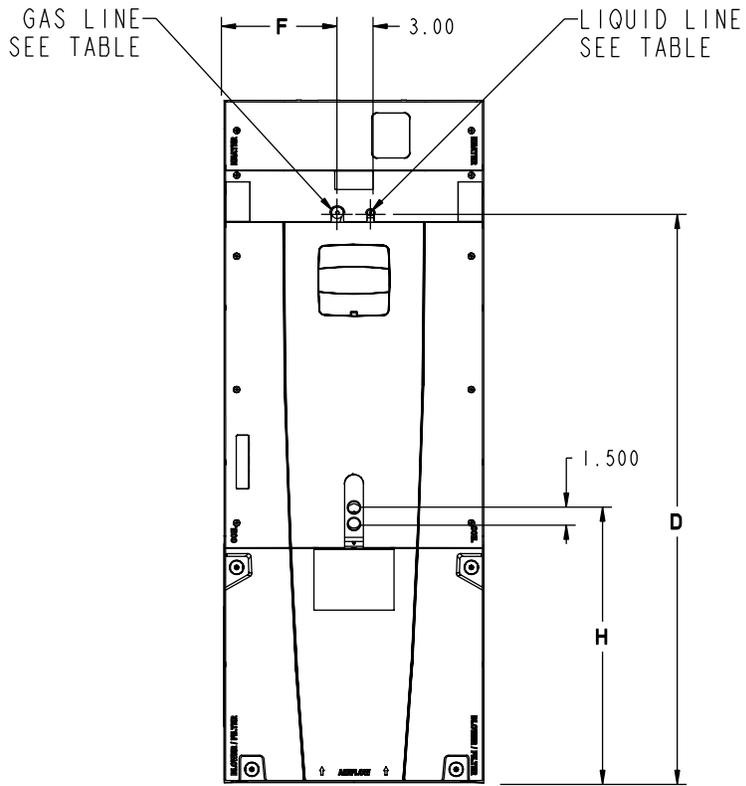
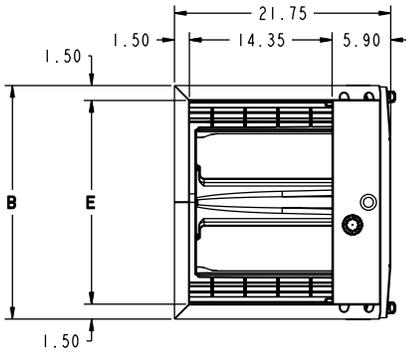


TAG: _____

Submittal

3-1/2 Ton Convertible Air Handler Black Epoxy Coil – GAM5B0C42M31EA Standard Coil – GAM5B0C42M31SB



MINIMUM UNIT CLEARANCE TABLE		
	TO COMBUSTIBLE MATERIAL (REQUIRED)	SERVICE CLEARANCE (RECOMMENDED)
SIDES	0"	2"
FRONT	0"	21"
BACK	0"	0"
INLET DUCT	0"	
OUTLET DUCT	0"	

MODEL NO.	A	B	C	D	E	F	H	Flow Control	R-410A Gas Line BRAZE	R-410A Liq. Line BRAZE
GAM5B0C42	56.9	23.5	20.5	46.7	20.5	10.3	24.5	TXV	7/8	3/8

PRODUCT SPECIFICATIONS

PRODUCT SPECIFICATIONS	
MODEL	GAM5B0C42M31SB GAM5B0C42M31EA
RATED VOLTS/PH/HZ.	208-230/1/60
RATINGS ①	See O.D. Specifications
INDOOR COIL — Type	Plate Fin
Rows — F.P.I.	4 - 14
Face Area (sq. ft.)	5.04
Tube Size (in.)	3/8
Refrigerant Control	TXV
Drain Conn. Size (in.) ②	3/4 NPT
DUCT CONNECTIONS	See Outline Drawing
INDOOR FAN — Type	Centrifugal
Diameter-Width (In.)	11 X 10
No. Used	1
Drive - No. Speeds	Direct - 5
CFM vs. in. w.g.	See Fan Performance Table
No. Motors — H.P.	1 - 1/2
Motor Speed R.P.M.	1050
Volts/Ph/Hz	208-230/1/60
F.L. Amps	4.1
FILTER	
Filter Furnished?	No
Type Recommended	Throwaway
No.-Size-Thickness	1 - 20 X 22 - 1 in.
REFRIGERANT	R-410A
Ref. Line Connections	Brazed
Coupling or Conn. Size — in. Gas	7/8
Coupling or Conn. Size — in. Liq.	3/8
DIMENSIONS	H x W x D
Crated (In.)	58-1/2 x 27-1/2 x 25-3/4
Uncrated	56-7/8 x 23-1/2 x 21-3/4
WEIGHT	
Shipping (Lbs.)/Net (Lbs.)	163/153

① These Air Handlers are A.H.R.I. certified with various Split System Air Conditioners and Heat Pumps (AHRI STANDARD 210/240). Refer to the Split System Outdoor Unit Product Data Guides for performance data.

② 3/4" Male Plastic Pipe (Ref.: ASTM 1785-76)

GAM5B0C42M31SB, GAM5B0C42M31EA MINIMUM HEATER AIRFLOW CFM		
Heater	Minimum Air Speed Tap	
	Without HP	With HP
BAYEAAC04BK1 BAYEAAC04LG1	Tap 2	Tap 3
BAYEAAC05BK1 BAYEAAC05LG1	Tap 2	Tap 3
BAYEAAC08BK1 BAYEAAC08LG1	Tap 2	Tap 3
BAYEAAC10BK1 BAYEAAC10LG1	Tap 2	Tap 3
BAYEAAC10LG3	Tap 2	Tap 3
BAYEABC15BK1	Tap 3	Tap 4
BAYEABC15LG3	Tap 3	Tap 4
BAYEABC20BK1	-	-
BAYEACC25BK1	-	-

Note: Heating and cooling speeds are the same, factory set at Speed Tap #4.

Note: A "G" only signal from the comfort control will run the blower at a lower speed, factory set at Speed Tap #1. See the Sequence of Operation for additional information.

Note: Speed Tap 1 is NOT used for two stage systems. Two stage systems will require an airflow adjustment

AIRFLOW PERFORMANCE										
GAM5B0C42M31SB, GAM5B0C42M31EA										
EXTERNAL STATIC (in w.g)	AIRFLOW (CFM)									
	Speed Taps – 230 VOLTS					Speed Taps – 208 VOLTS				
	5	4 †	3	2	1	5	4 †	3	2	1
0	1644	1575	1401	1266	752	1641	1572	1398	1263	749
0.1	1596	1525	1346	1215	665	1590	1519	1340	1209	659
0.2	1550	1480	1300	1157	569	1542	1471	1291	1148	560
0.3	1509	1437	1252	1110	492	1497	1425	1241	1099	480
0.4	1463	1391	1205	1058	384	1449	1377	1191	1043	370
0.5	1420	1345	1151	980	327	1403	1328	1134	963	310
0.6	1376	1301	1085	917	259	1356	1282	1066	898	239
0.7	1332	1251	1020	865	-	1310	1228	998	842	-
0.8	1271	1179	969	813	-	1246	1154	944	788	-
0.9	1199	1119	924	747	-	1171	1091	897	719	-

NOTES:
1. Values are with wet coil and without filters.
2. Contact your particular filter manufacturer for pressure drop data.
3. Electric heater pressure drop is negligible and is included within the airflow data.
4. Tap 1 is an continuous fan speed tap.
5. † Factory Setting

WIRING DATA											
GAM5B0C42M31SB, GAM5B0C42M31EA											
Heater Model No.	No. of Circuits	240 VOLT					208 VOLT				
		Capacity		Heater Amps per Circuit	Minimum Circuit Ampacity	Maximum Overload Protection	Capacity		Heater Amps per Circuit	Minimum Circuit Ampacity	Maximum Overload Protection
		kW	BTUH				kW	BTUH			
No Heater	-	-	-	4.1*	5	15	-	-	4.1*	5	15
BAYEAC04BK1 BAYEAC04LG1	1	3.84	13100	16.0	25	25	2.88	9800	13.8	22	25
BAYEAC05BK1 BAYEAC05LG1	1	4.80	16400	20.0	30	30	3.60	12300	17.3	27	30
BAYEAC08BK1 BAYEAC08LG1	1	7.68	26200	32.0	45	45	5.76	19700	27.7	40	40
BAYEAC10BK1 BAYEAC10LG1	1	9.60	32800	40.0	55	60	7.20	24600	34.6	48	50
BAYEAC10LG3	1-3 PH	9.60	32800	23.1	33	35	7.20	24600	20.0	30	30
BAYEABC15LG3	1-3 PH	14.40	49200	34.6	48	50	10.80	36900	30.0	42	45
BAYEABC15BK1 - Circuit 1 ①	2	9.60	32800	40	55	60	7.20	24600	34.6	48	50
BAYEABC15BK1 - Circuit 2		4.80	16400	20	25	25	3.60	12300	17.3	22	25

Note: * Motor Amps
① MCA and MOP for circuit 1 contains the motor amps

Notes:

1. See Product Data or Air Handler nameplate for approved combinations of Air Handlers and Heaters
2. Heater model numbers may have additional suffix digits.

Mechanical Specifications

- Unique Cabinet Design
 - Double Wall Foamed and Formed Cabinet System
 - Water Proof Cabinet Design
 - R-4.2 Insulating Value (Avg Insulating Value R-8.2)
 - Composite Foamed Cabinet Doors
 - Sweat Eliminating Cabinet Design
 - Loose Fiber Eliminating Cabinet Design
 - Smooth Cleanable Cabinet Design
 - 2% or Less air leakage
 - Precision Durable Door Seals
 - Modular Cabinet
- Multi-Position UP/Down Flow Horizontal Left /Right
- Phillips head door fasteners
- Side Return Option
- Refrigerant Connections
- Condensate Connections
- Premarked Conduit Connection Locations
- Vortica® Blower with Integrated Slide Deck for Easy Removal
- Polarized Plug connections on Blower
- Aluminum Coil with Integrated Slide Deck for Easy Removal
- Slide in Electric Heaters with polarized plug connections (sold as accessory)
- Polarized Plug connections for Electric Heater
- UVC light kit with safety switch and polarized plug connections (sold as accessory)
- Labeled Panels and connections
- 1 1/4" to 1" And 3/4" to 1/2" Conduit connection on Left, Right and Top
- Molded in 1" Standard Filter rail
- R-410A Thermal Expansion Valve
- R-22 conversion Thermal Expansion Valve available (sold as accessory)
- Low Voltage Pigtail Connections
- Enhanced Coil Fin Patented
- Blow Through Design
- High Efficiency ECM Motor
- Maximum Width of 23.5"
- Compact 20.8" depth with doors removed
- Integrated Horizontal Drain pans
- Soft start fan motor operation
- Built in fan delay modes
- Single Color
- Fused 24V Power
- Safety Door Switch
- **5 year warranty**
- **10-year warranty registered**
- **Optional extended warranty available**

About Trane and American Standard Heating and Air Conditioning

Trane and American Standard create comfortable, energy efficient indoor environments for residential applications. For more information, please visit www.trane.com or www.americanstandardair.com



The AHRI Certified mark indicates company participation in the AHRI Certification program. For verification of individual certified products, go to ahridirectory.org.

The manufacturer has a policy of continuous data improvement and it reserves the right to change design and specifications without notice. We are committed to using environmentally conscious print practices.

GAM5B0C42-SUB-1E-EN 14 April 2020

Supersedes GAM5B0C42-SUB-1D (February 2015)

© 2020