

PROJECT: _____	UNIT TAG: _____	QUANTITY: _____
REPRESENTATIVE: _____	TYPE OF SERVICE: _____	DATE: _____
ENGINEER: _____	SUBMITTED BY: _____	DATE: _____
CONTRACTOR: _____	APPROVED BY: _____	DATE: _____
	ORDER NO.: _____	DATE: _____

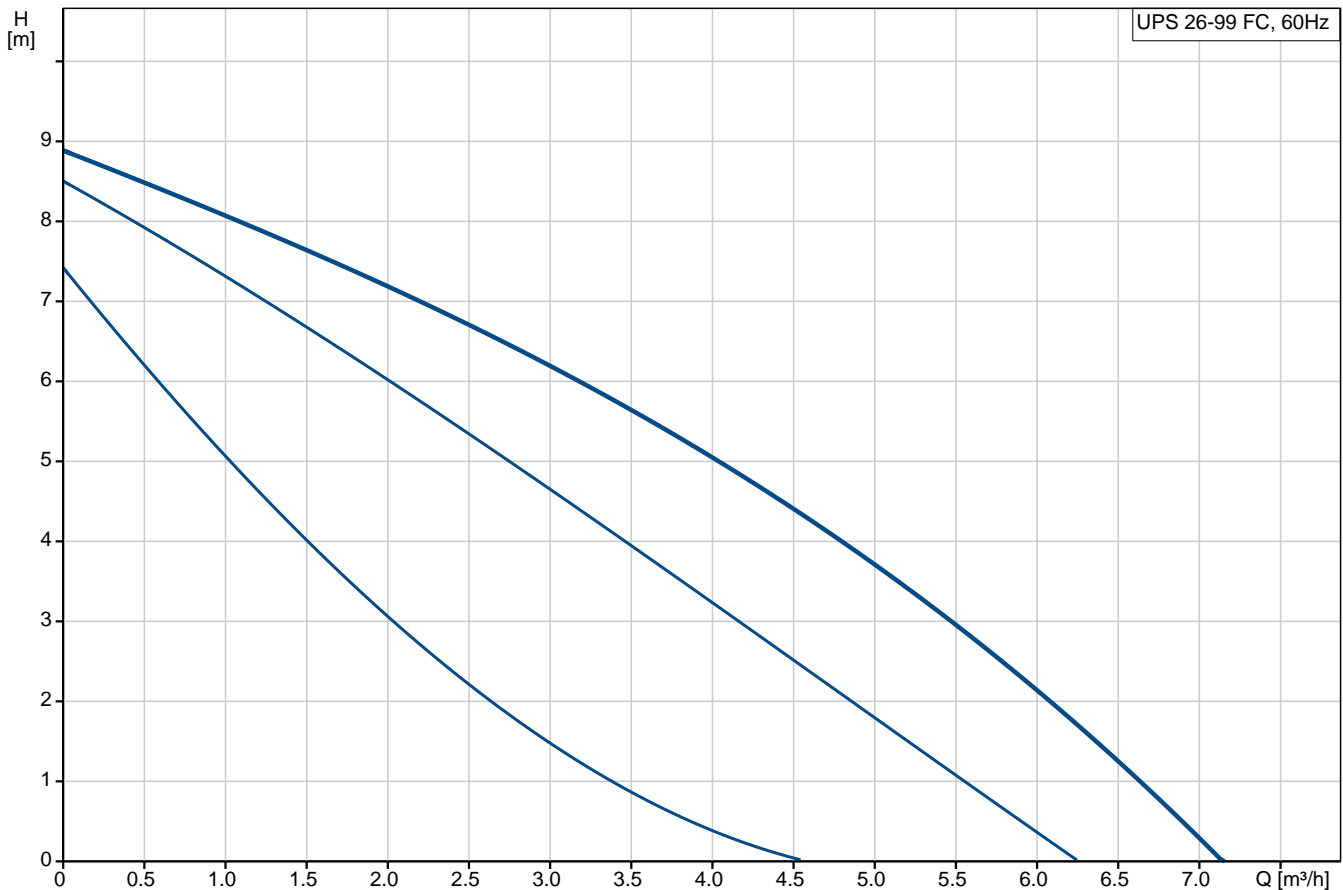
## UPS 26-99 FC

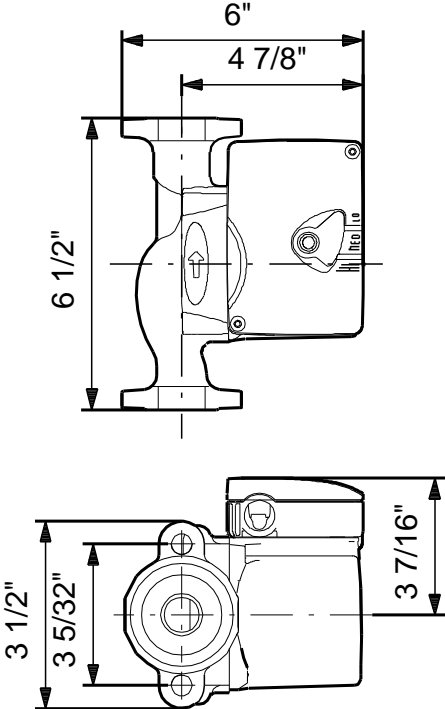
Circulator pumps



Note! Product picture may differ from actual product

Conditions of Service	Pump Data	Motor Data
Flow: _____	Maximum operating pressure: 10 bar	Max. power input: 196 W
Head: _____	Liquid temperature range: 2 .. 110 °C	Rated power - P2: 0.12 kW
Efficiency: _____	Maximum ambient temperature: 40 °C	Rated voltage: 230 V
Liquid: Water	Approvals: UL, CSA	Mains frequency: 60 Hz
Temperature: 60 °C	Type of connection: C.I. Flange	Insulation class: F
NPSH required: m	Flange standard: USA Oval	Motor protection: CONTACT
Viscosity: _____	Pipe connection: 2 - Bolt Flange	Thermal protection: Internal
Specific Gravity: 0.985	Product number: On request	





**Materials:**  
Pump housing: Cast iron  
EN-JL1030  
ASTM 30 B  
Impeller: Composite, PES

## Tender Text



Note! Product picture may differ from actual product

Product No.: On request

### UPS 26-99 FC

The pump is of the canned rotor type, i.e. pump and motor form an integral unit without shaft seal and with only two gaskets for sealing.

The bearings are lubricated by the pumped liquid.

The pump has 3-step speed selector.

The pump is characterized by:

- \* Ceramic shaft and radial bearings.
- \* Carbon axial bearing.
- \* Stainless steel rotor can and bearing plate.
- \* Corrosion-resistant impeller, Composite, PES.
- \* Cast iron pump housing.

The motor is a 1-phase motor.

No additional motor protection is required.

### Liquid:

Pumped liquid: Water  
Liquid temperature range: 2 .. 110 °C  
Liquid temperature during operation: 60 °C  
Density: 983.2 kg/m<sup>3</sup>

### Technical:

Approvals on nameplate: UL, CSA

### Materials:

Pump housing: Cast iron  
EN-JL1030  
ASTM 30 B  
Impeller: Composite, PES

### Installation:

Maximum ambient temperature: 40 °C  
Amb. max at 80 dgr C liquid: 80 °C  
Maximum operating pressure: 10 bar  
Flange standard: USA Oval  
Type of connection: C.I. Flange  
Pipe connection: 2 - Bolt Flange  
Pressure rating: 10  
Port-to-port length: 165 mm


### Electrical data:

Power input in speed 1: 150 W  
Power input in speed 2: 179 W  
Max. power input: 196 W

Rated power - P2: 0.12 kW  
Mains frequency: 60 Hz  
Rated voltage: 1 x 230 V  
Current in speed 1: 0.7 A  
Current in speed 2: 0.8 A  
Current in speed 3: 0.9 A  
Capacitor size - run: 5  $\mu$ F/400 V  
Number of poles: 2  
Insulation class (IEC 85): F

**Others:**

Gross weight: 4.67 kg

Position	Qty.	Description
	1	<p><b>UPS 26-99 FC</b></p>  <p style="text-align: center;"><b>Note! Product picture may differ from actual product</b></p> <p>Product No.: On request                      The pump is of the canned rotor type, i.e. pump and motor form an integral unit without shaft seal and with only two gaskets for sealing.                      The bearings are lubricated by the pumped liquid.                      The pump has 3-step speed selector.                      The pump is characterized by:</p> <ul style="list-style-type: none"> <li>* Ceramic shaft and radial bearings.</li> <li>* Carbon axial bearing.</li> <li>* Stainless steel rotor can and bearing plate.</li> <li>* Corrosion-resistant impeller, Composite, PES.</li> <li>* Cast iron pump housing.</li> </ul> <p>The motor is a 1-phase motor.                      No additional motor protection is required.</p> <p><b>Liquid:</b>                      Pumped liquid: Water                      Liquid temperature range: 2 .. 110 °C                      Liquid temperature during operation: 60 °C                      Density: 983.2 kg/m<sup>3</sup></p> <p><b>Technical:</b>                      Approvals on nameplate: UL, CSA</p> <p><b>Materials:</b>                      Pump housing: Cast iron                      EN-JL1030                      ASTM 30 B                      Impeller: Composite, PES</p> <p><b>Installation:</b>                      Maximum ambient temperature: 40 °C                      Amb. max at 80 dgr C liquid: 80 °C                      Maximum operating pressure: 10 bar                      Flange standard: USA Oval                      Type of connection: C.I. Flange                      Pipe connection: 2 - Bolt Flange                      Pressure rating: 10                      Port-to-port length: 165 mm</p> <p><b>Electrical data:</b>                      Power input in speed 1: 150 W                      Power input in speed 2: 179 W                      Max. power input: 196 W                      Rated power - P2: 0.12 kW                      Mains frequency: 60 Hz</p>



Company name:

Created by:

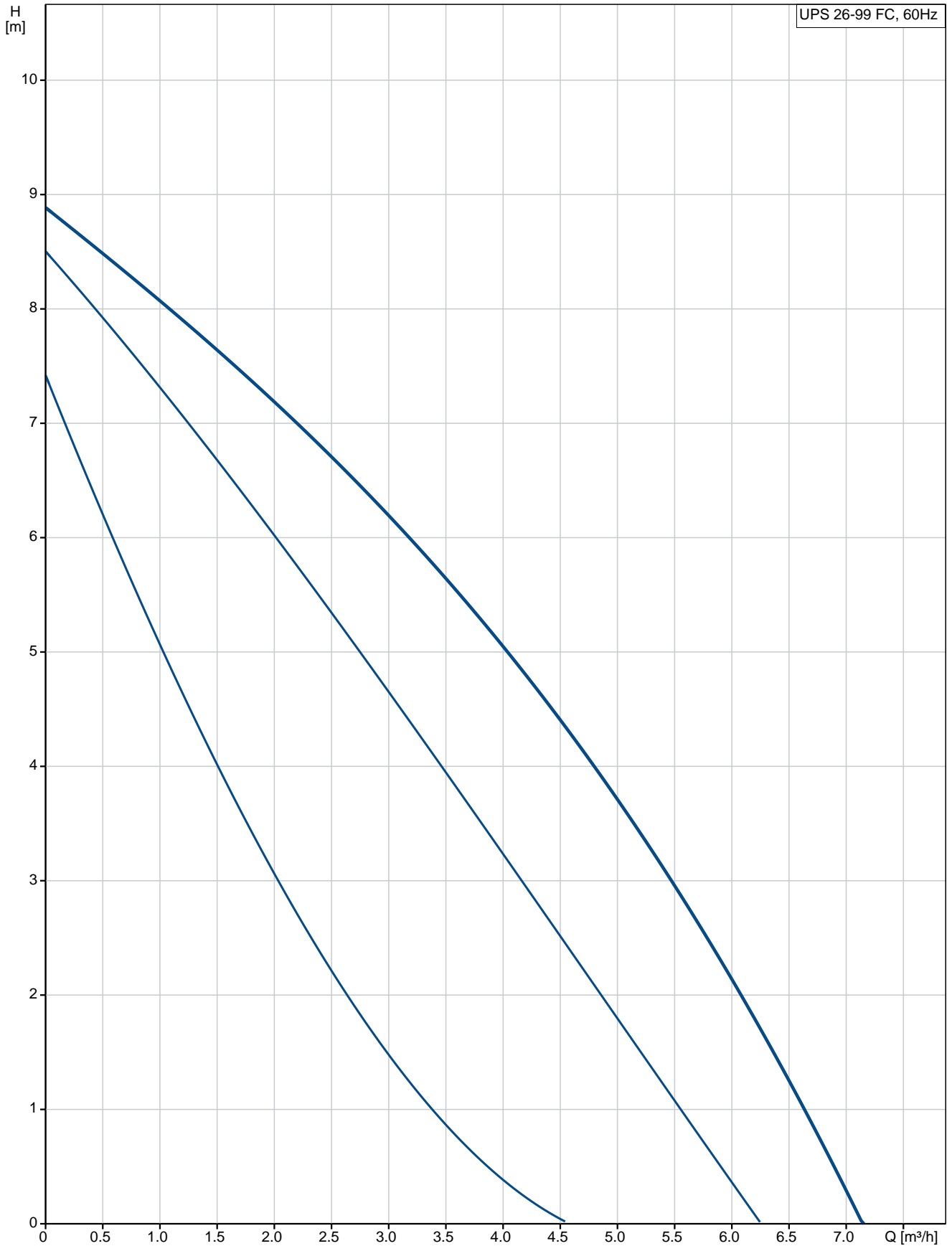
Phone:

Date:

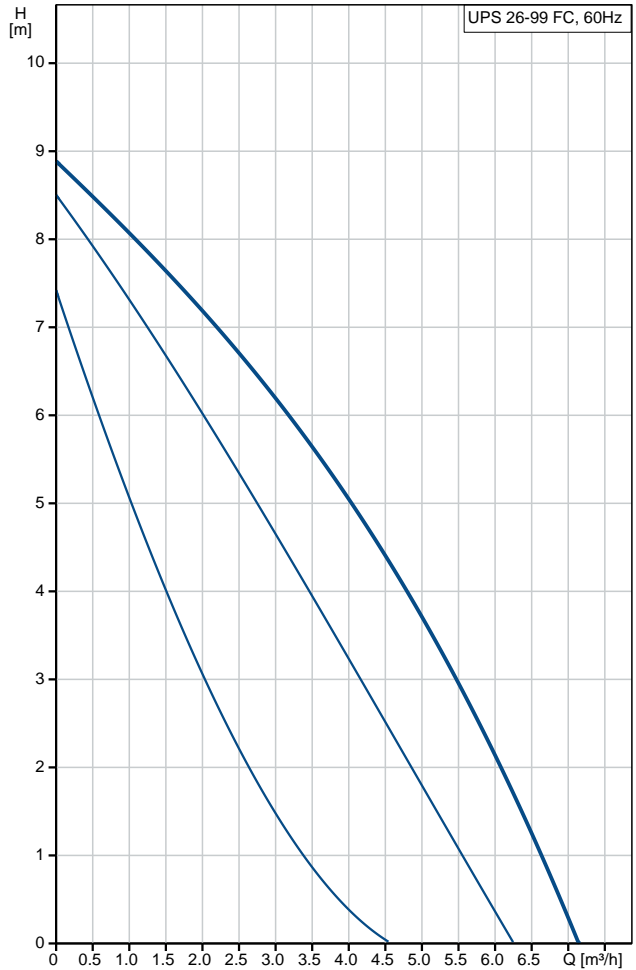
28/11/2017

Position	Qty.	Description
		Rated voltage: 1 x 230 V Current in speed 1: 0.7 A Current in speed 2: 0.8 A Current in speed 3: 0.9 A Capacitor size - run: 5 $\mu$ F/400 V Number of poles: 2 Insulation class (IEC 85): F  <b>Others:</b> Gross weight: 4.67 kg

## On request UPS 26-99 FC 60 Hz



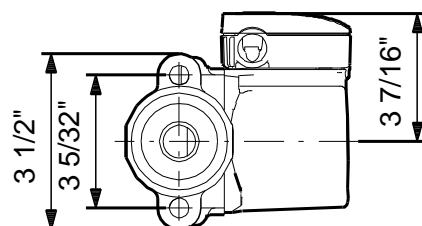
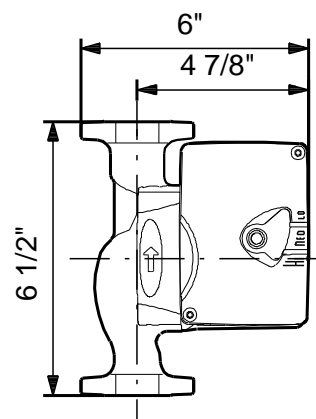
Description	Value
<b>General information:</b>	
Product name:	UPS 26-99 FC
Product No:	On request
EAN number:	On request
<b>Technical:</b>	
Speed no:	3
Max flow:	7.5 m <sup>3</sup> /h
Head max:	8.8 m
Approvals on nameplate:	UL, CSA
Valve:	Y
<b>Materials:</b>	
Pump housing:	Cast iron EN-JL1030 ASTM 30 B
Impeller:	Composite, PES
<b>Installation:</b>	
Maximum ambient temperature:	40 °C
Amb. max at 80 dgr C liquid:	80 °C
Maximum operating pressure:	10 bar
Flange standard:	USA Oval
Type of connection:	C.I. Flange
Pipe connection:	2 - Bolt Flange
Pressure rating:	10
Port-to-port length:	165 mm
<b>Liquid:</b>	
Pumped liquid:	Water
Liquid temperature range:	2 .. 110 °C
Liquid temperature during operation:	60 °C
Density:	983.2 kg/m <sup>3</sup>



<b>Electrical data:</b>	
Power input in speed 1:	150 W
Power input in speed 2:	179 W
Max. power input:	196 W
Rated power - P2:	0.12 kW
Mains frequency:	60 Hz
Rated voltage:	1 x 230 V
Current in speed 1:	0.7 A
Current in speed 2:	0.8 A
Current in speed 3:	0.9 A
Capacitor size - run:	5 µF/400 V
Number of poles:	2
Insulation class (IEC 85):	F
Motor protec:	CONTACT
Thermal protec:	Internal

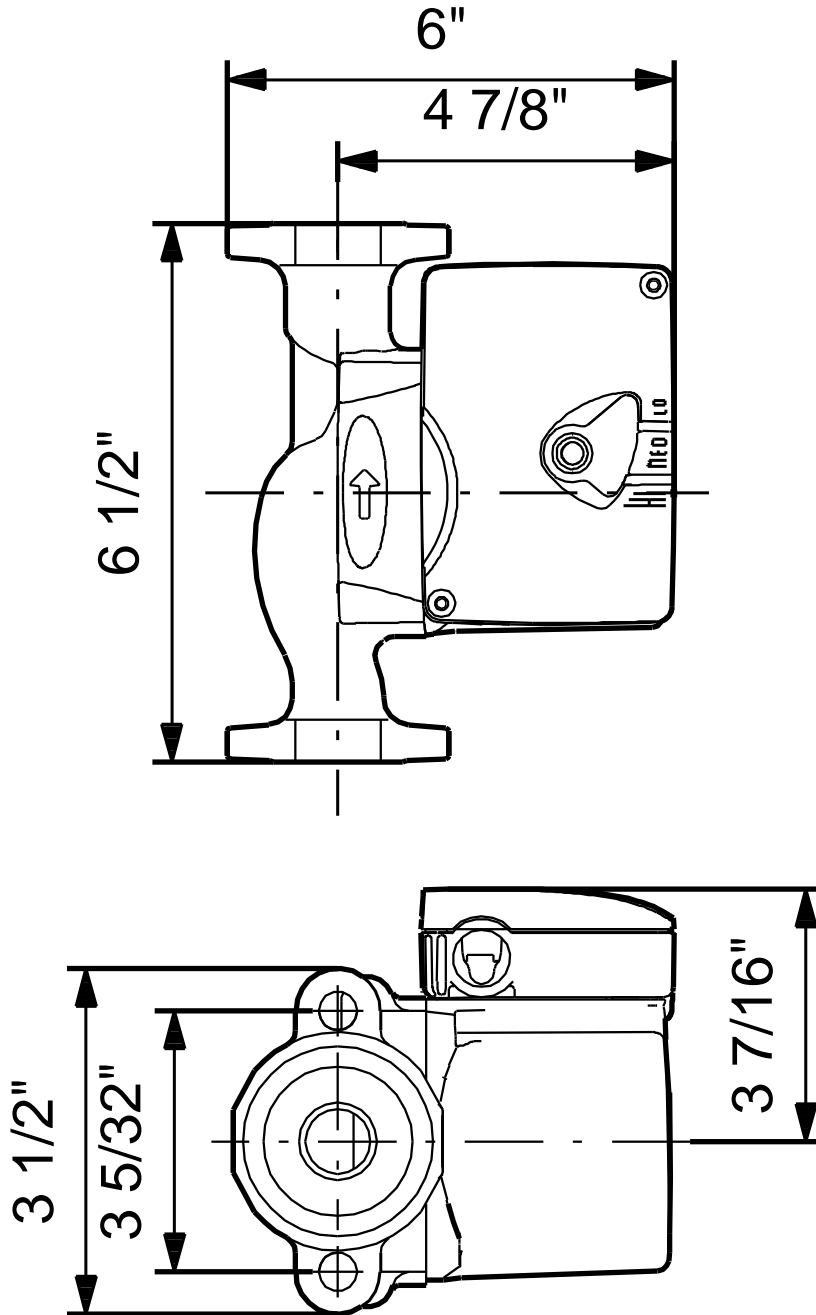
<b>Controls:</b>	
Pos term box:	9H

<b>Others:</b>	
Gross weight:	4.67 kg





**On request UPS 26-99 FC 60 Hz**



Note! All units are in [mm] unless others are stated.  
Disclaimer: This simplified dimensional drawing does not show all details.



Company name:

Created by:

Phone:

Date: 28/11/2017

---

**Order Data:**

Product name: UPS 26-99 FC

Amount: 1

Product No: On request

Total: Price on request

---