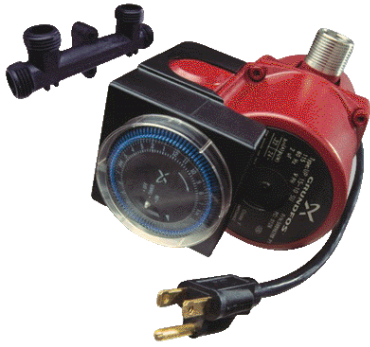


PROJECT: _____	UNIT TAG: _____	QUANTITY: _____
REPRESENTATIVE: _____	TYPE OF SERVICE: _____	DATE: _____
ENGINEER: _____	SUBMITTED BY: _____	DATE: _____
CONTRACTOR: _____	APPROVED BY: _____	DATE: _____
	ORDER NO.: _____	DATE: _____

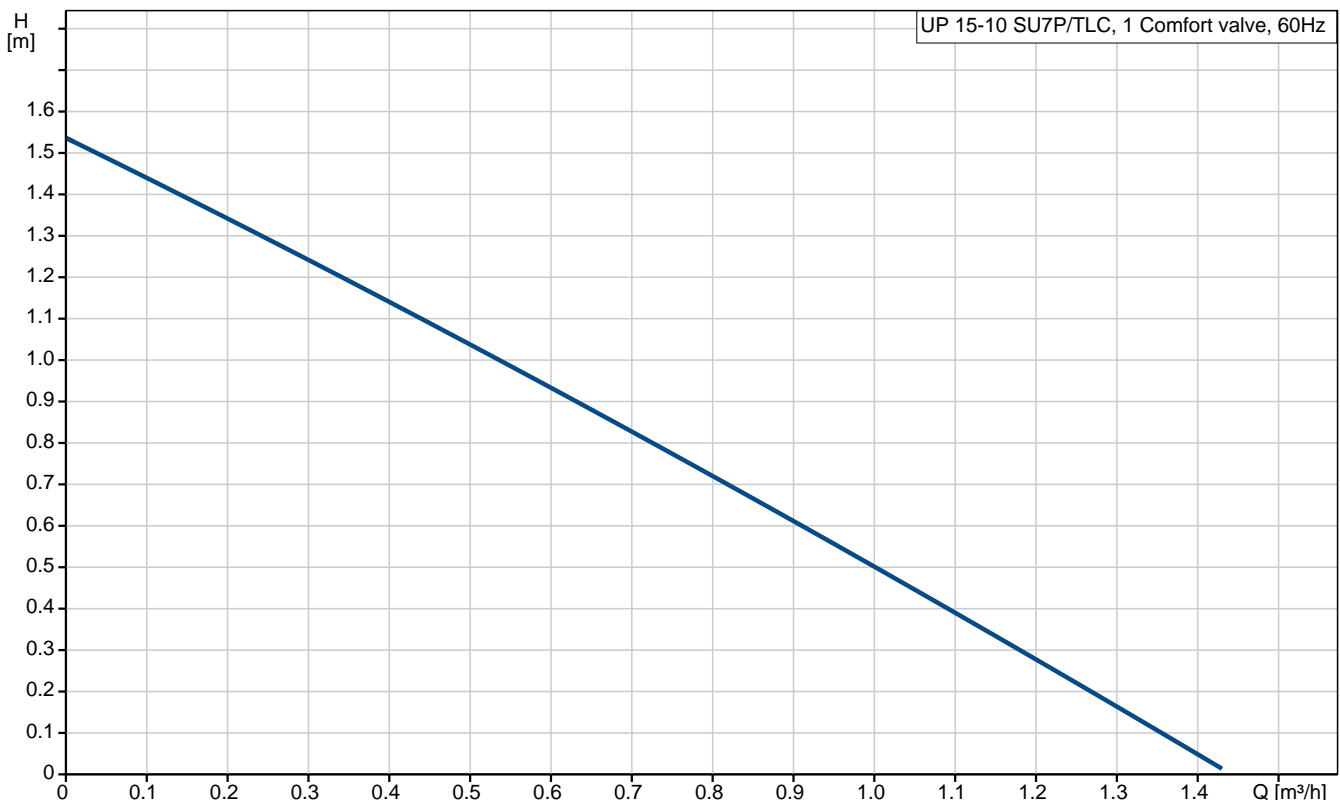
UP 15-10 SU7P/TLC, 1 Comfort valve

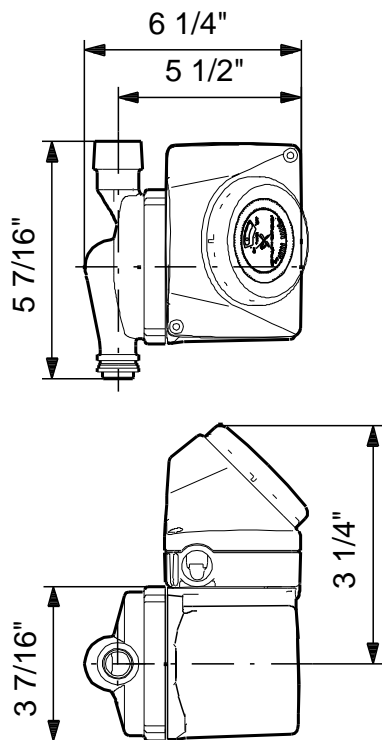
Domestic hot water pumps



Note! Product picture may differ from actual product

Conditions of Service	Pump Data	Motor Data
Flow: _____	Maximum operating pressure: 10 bar	Max. power input: 25 W
Head: _____	Liquid temperature range: 2 .. 66 °C	Rated power - P2: 0.03 kW
Efficiency: _____	Maximum ambient temperature: 40 °C	Rated voltage: 115 V
Liquid: Water	Approvals: UL, CSA	Mains frequency: 60 Hz
Temperature: 60 °C	Flange standard: USA Threaded	Insulation class: F
NPSH required: m	Pipe connection: NPT 3/4"	Motor protection: CONTACT
Viscosity: _____	Product number: On request	Thermal protection: Internal
Specific Gravity: 0.985		





Materials:

Pump housing: Stainless steel
Impeller: PES Composite (30% glass filled)

Tender Text



Note! Product picture may differ from actual product

Product No.: On request

Product_name: UP 15-10 SU7P/TLC, 1 Comfort valve

EAN_number: On request

Technical:

Approvals on nameplate: UL, CSA

Materials:

Pump housing: Stainless steel

Impeller: PES Composite (30% glass filled)

Installation:

Maximum ambient temperature: 40 °C

Amb. max at 80 dgr C liquid: 80 °C

Maximum operating pressure: 10 bar

Flange standard: USA Threaded

Pipe connection: NPT 3/4"

Pressure rating: 10

Port-to-port length: 130 mm

Liquid:

Pumped liquid: Water

Liquid temperature range: 2 .. 66 °C

Liquid temperature during operation: 60 °C

Density: 983.2 kg/m³

Electrical data:

Max. power input: 25 W

Rated power - P2: 0.03 kW

Mains frequency: 60 Hz

Rated voltage: 1 x 115 V

Current in speed 3: 0.23 A

Capacitor size - run: 2 µF/400 V

Number of poles: 2

Insulation class (IEC 85): F

Cable type: Connecting cord with plug

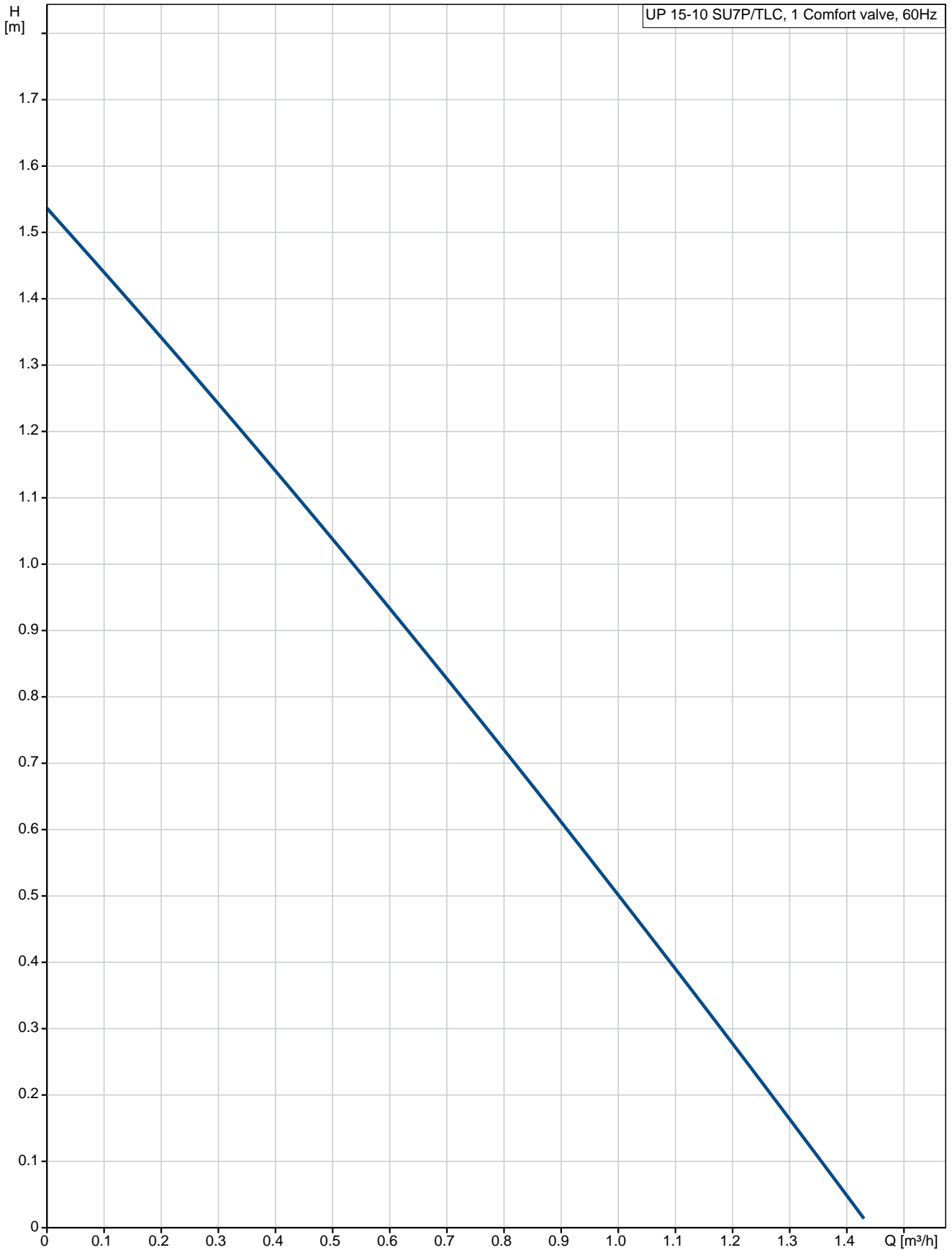
Type of cable plug: NEMA 5-15P

Others:

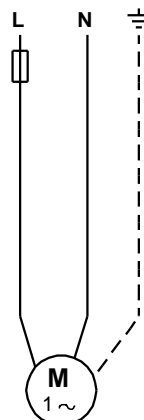
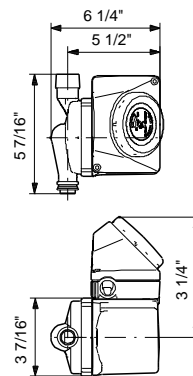
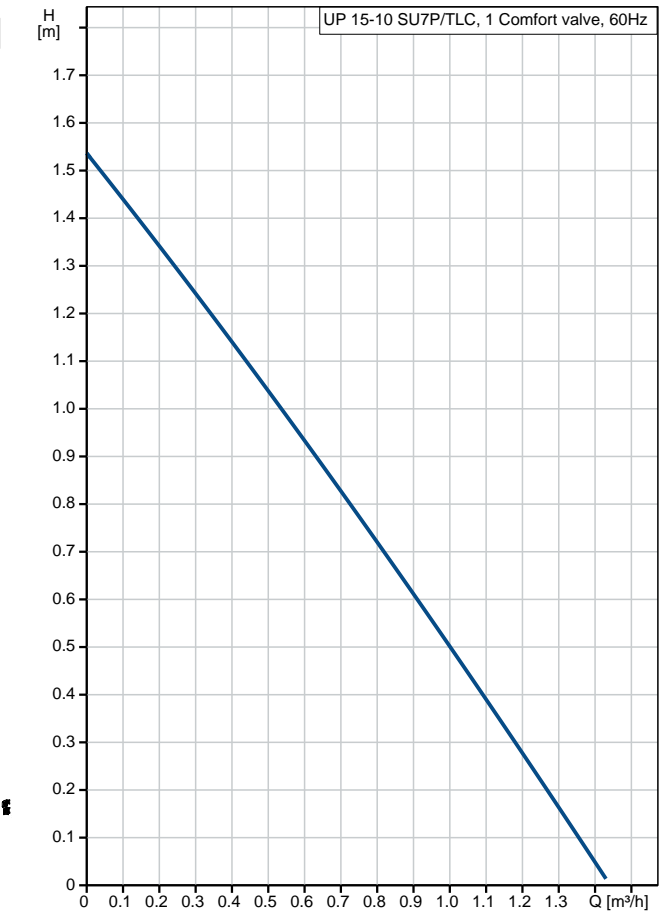
Gross weight: 2.5 kg

Position	Qty.	Description
	1	<p>Product_name: UP 15-10 SU7P/TLC, 1 Comfort valve</p>  <p style="text-align: center;">Note! Product picture may differ from actual product</p> <p>Product No.: On request EAN_number: On request</p> <p>Technical: Approvals on nameplate: UL, CSA</p> <p>Materials: Pump housing: Stainless steel Impeller: PES Composite (30% glas filled)</p> <p>Installation: Maximum ambient temperature: 40 °C Amb. max at 80 dgr C liquid: 80 °C Maximum operating pressure: 10 bar Flange standard: USA Threaded Pipe connection: NPT 3/4" Pressure rating: 10 Port-to-port length: 130 mm</p> <p>Liquid: Pumped liquid: Water Liquid temperature range: 2 .. 66 °C Liquid temperature during operation: 60 °C Density: 983.2 kg/m³</p> <p>Electrical data: Max. power input: 25 W Rated power - P2: 0.03 kW Mains frequency: 60 Hz Rated voltage: 1 x 115 V Current in speed 3: 0.23 A Capacitor size - run: 2 µF/400 V Number of poles: 2 Insulation class (IEC 85): F Cable type: Connecting cord with plug Type of cable plug: NEMA 5-15P</p> <p>Others: Gross weight: 2.5 kg</p>

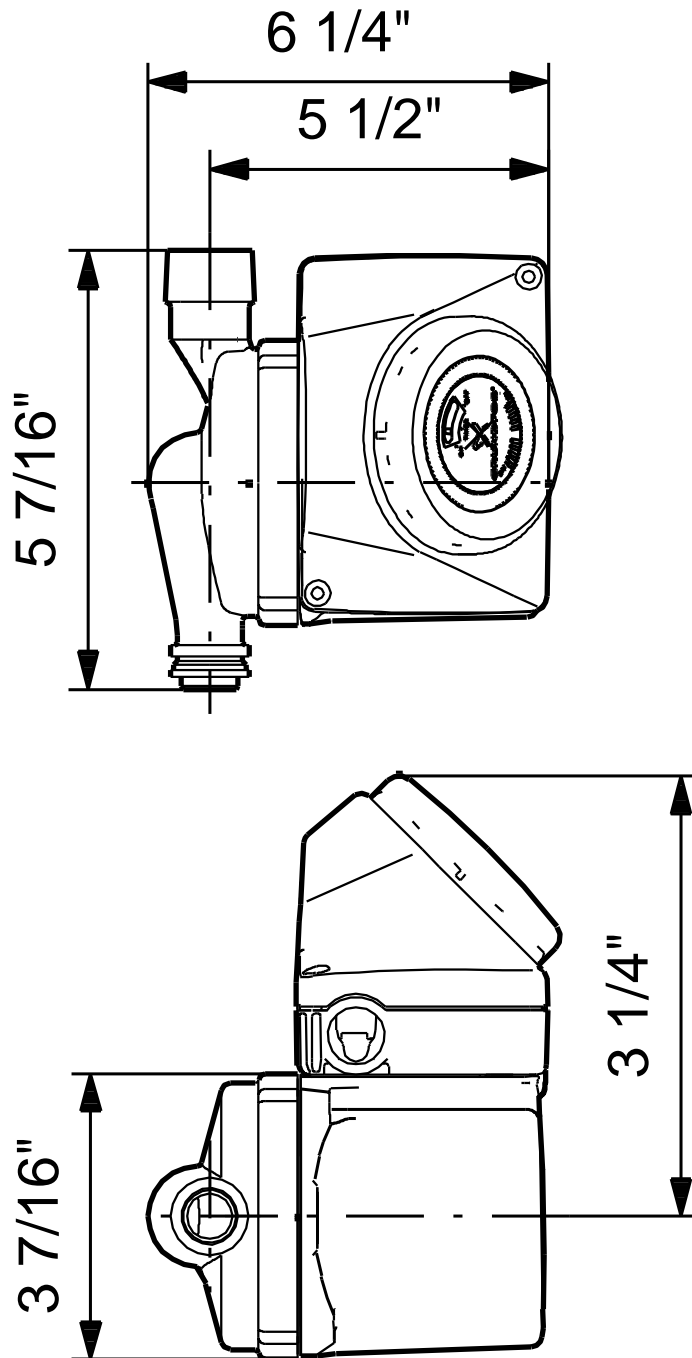
On request UP 15-10 SU7P/TLC, 1 Comfort valve 60 Hz



Description	Value
General information:	
Product name:	UP 15-10 SU7P/TLC, 1 Comfort valve
Product No:	On request
EAN number:	On request
Technical:	
Speed no:	1
Max flow:	1.4 m ³ /h
Head max:	1.6 m
	10 dm
Approvals on nameplate:	UL, CSA
Materials:	
Pump housing:	Stainless steel
Impeller:	PES Composite (30% glas filled)
Installation:	
Maximum ambient temperature:	40 °C
Amb. max at 80 dgr C liquid:	80 °C
Maximum operating pressure:	10 bar
Flange standard:	USA Threaded
Pipe connection:	NPT 3/4"
Pressure rating:	10
Port-to-port length:	130 mm
Liquid:	
Pumped liquid:	Water
Liquid temperature range:	2 .. 66 °C
Liquid temperature during operation:	60 °C
Density:	983.2 kg/m ³
Electrical data:	
Max. power input:	25 W
Rated power - P2:	0.03 kW
Mains frequency:	60 Hz
Rated voltage:	1 x 115 V
Current in speed 3:	0.23 A
Capacitor size - run:	2 µF/400 V
Number of poles:	2
Insulation class (IEC 85):	F
Motor protec:	CONTACT
Thermal protec:	Internal
Cable type:	Connecting cord with plug
Type of cable plug:	NEMA 5-15P
Controls:	
Pos term box:	9H
Others:	
Gross weight:	2.5 kg

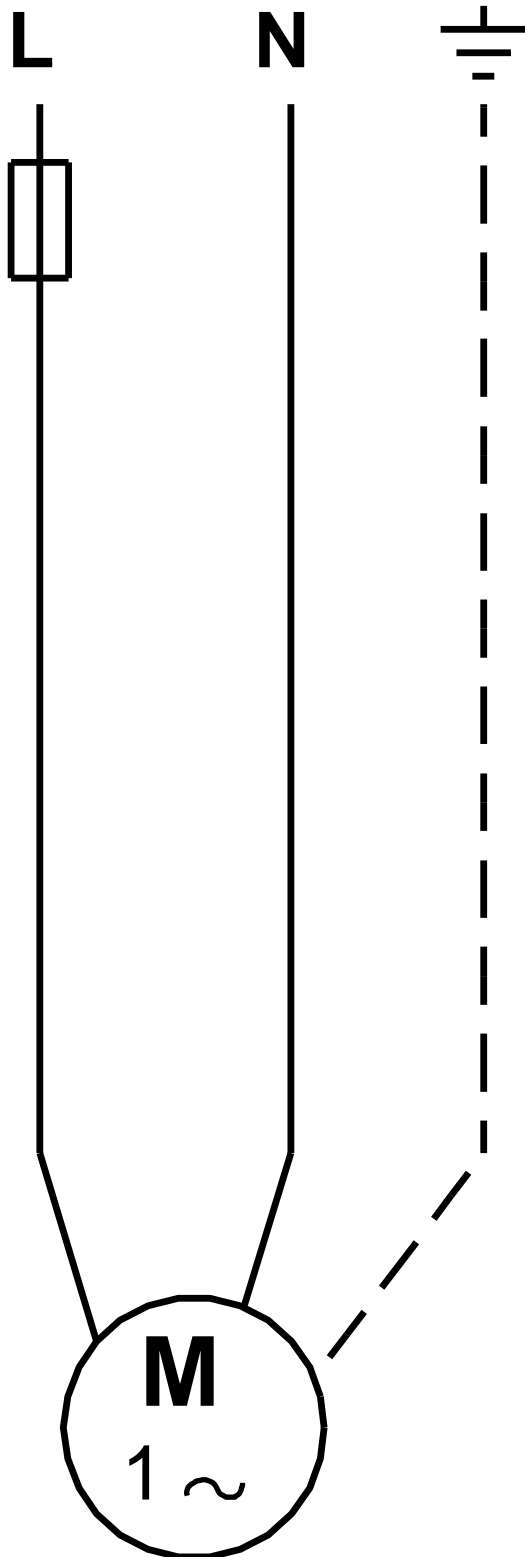


On request UP 15-10 SU7P/TLC, 1 Comfort valve 60 Hz



Note! All units are in [mm] unless others are stated.
Disclaimer: This simplified dimensional drawing does not show all details.

On request UP 15-10 SU7P/TLC, 1 Comfort valve 60 Hz



Note! All units are in [mm] unless others are stated.



Company name:

Created by:

Phone:

Date: 28/11/2017

Order Data:

Product name: UP 15-10 SU7P/TLC, 1 Comfort valve

Amount: 1

Product No: On request

Total: Price on request
