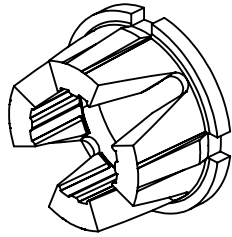


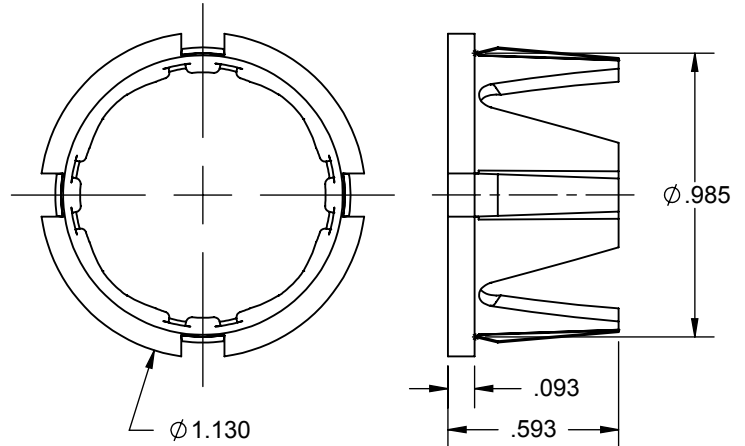
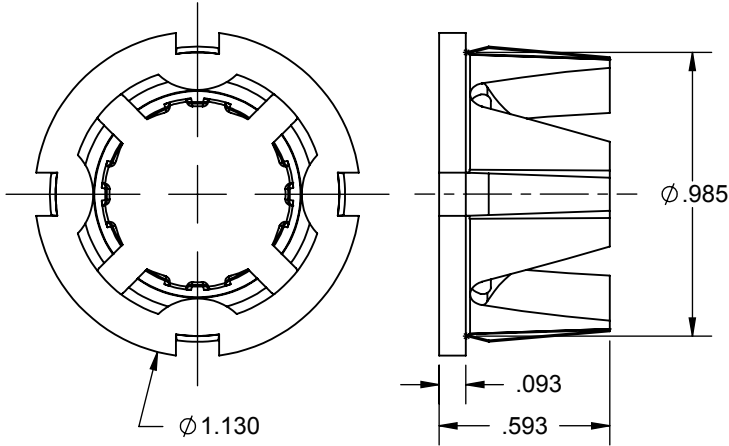
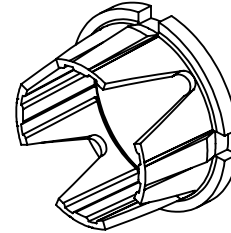
PRODUCT SPECIFICATION DRAWING

LOCKRITE™ #604 & #605 Inserts

#604 (1/2")



#605 (3/4")



The LOCKRITE™ #604 and #605 inserts are designed to work with our #601 and #609-N-6 brackets for securing CPVC tubing. Treat inserts as you would fittings by generously applying glue to both the pipe and insert to secure stub-out in place.

Product Information:

- Material: PVC, white
- Temperature range: -10°F to +150°F
- Load rating: 25 pounds
- UPC / IPC / IAPMO listed



THIS INFORMATION IS PROPRIETARY TO HOLDRITE AND IS SUBJECT TO CHANGE WITHOUT NOTICE. IT MAY NOT BE REPRODUCED IN PART OR WHOLE WITHOUT WRITTEN AUTHORIZATION.



CONVERTING MAKESHIFT METHODS INTO ENGINEERED SOLUTIONSSM
 800-321-0316 OR 760-744-6944 / FAX: 760-744-0507 / WWW.HOLDRITE.COM
 spec_604_605_RevE

Product Submittal	
Job Name:	
Date:	
Part Number:	Qty:
Architect / Owner:	
Contractor:	
Notes:	