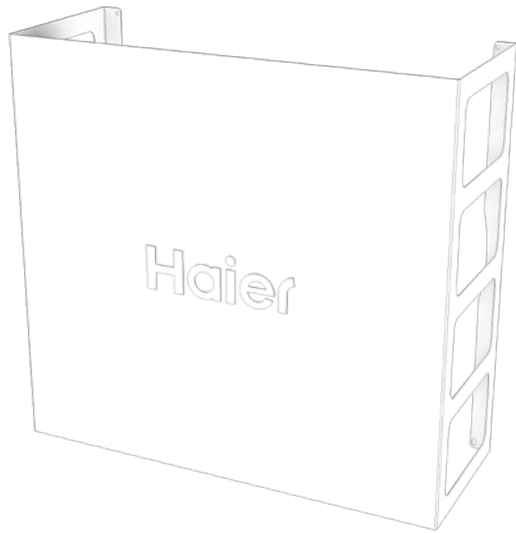


Haier

Submittals

Ductless Wind Baffles

Rev. Aug. 2019



QAWB37A

QAWB38A

QAWB39A

QAWB40A

QAWB41A

QAWB42A

QAWB43A

QAWB44A

QAWB45A



GE APPLIANCES
a Haier company

For more information visit us:
www.Haierductless.com
www.Haierductlesshelp.com

Revision History

Rev. Aug. 2019 - *Submittal edition release.*

Job Name: _____

Purchaser: _____

Submitted To: _____

Construction: _____

Reference: _____

Approval: _____

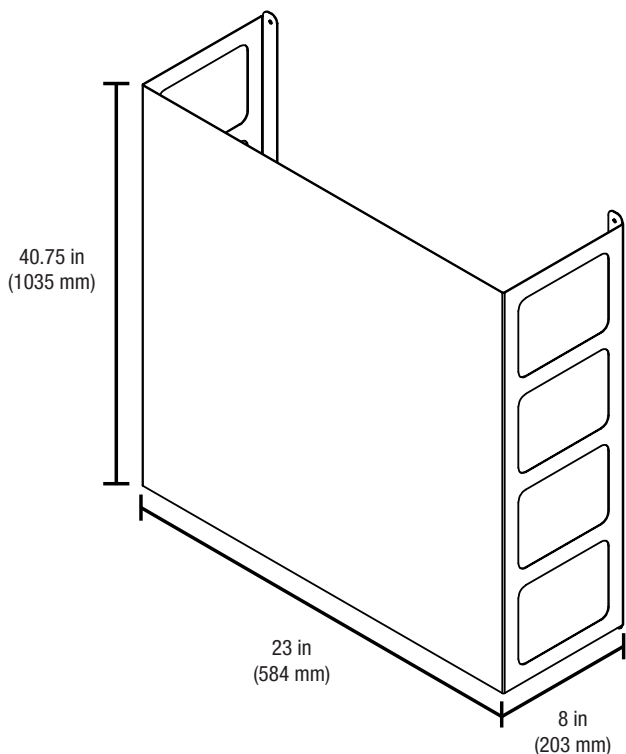
Date: _____

Submitted By: _____

Unit: _____

Drawing #: _____

Dimensions



Specifications

Material	20 Ga. G90 Galvanized Steel
Finish	Powder Coat

Compatibility

Tempo Series	1U18TE2VHA
Advanced Series	1U18ES2VHA



GE APPLIANCES
a Haier company

For more information visit us:
www.Haierductless.com
www.Haierductlesshelp.com

Job Name: _____

Purchaser: _____

Submitted To: _____

Construction: _____

Reference: _____

Approval: _____

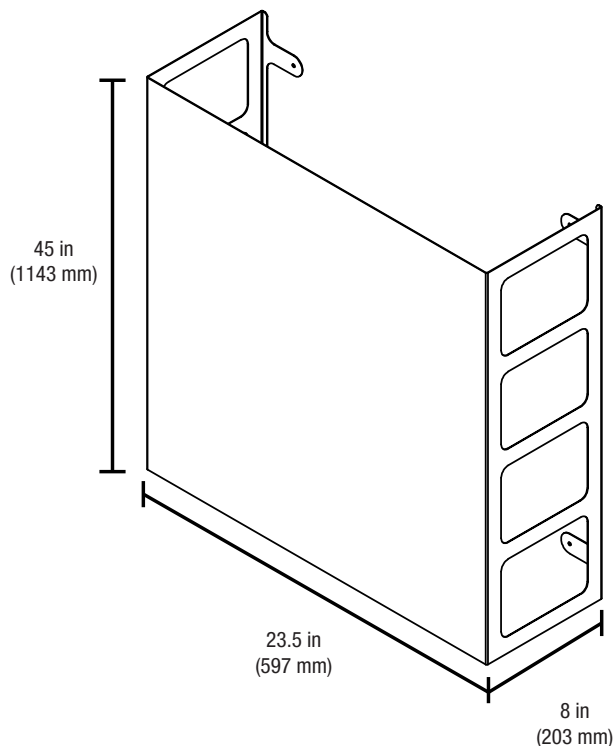
Date: _____

Submitted By: _____

Unit: _____

Drawing #: _____

Dimensions



Specifications

Material	20 Ga. G90 Galvanized Steel
Finish	Powder Coat

Compatibility

FlexFit Series	1U24LP2VHA 1U36LP2VHA 1U48LP2VHA (requires 2)
----------------	---



GE APPLIANCES
a Haier company

For more information visit us:
www.Haierductless.com
www.Haierductlesshelp.com

Job Name: _____

Purchaser: _____

Submitted To: _____

Construction: _____

Reference: _____

Approval: _____

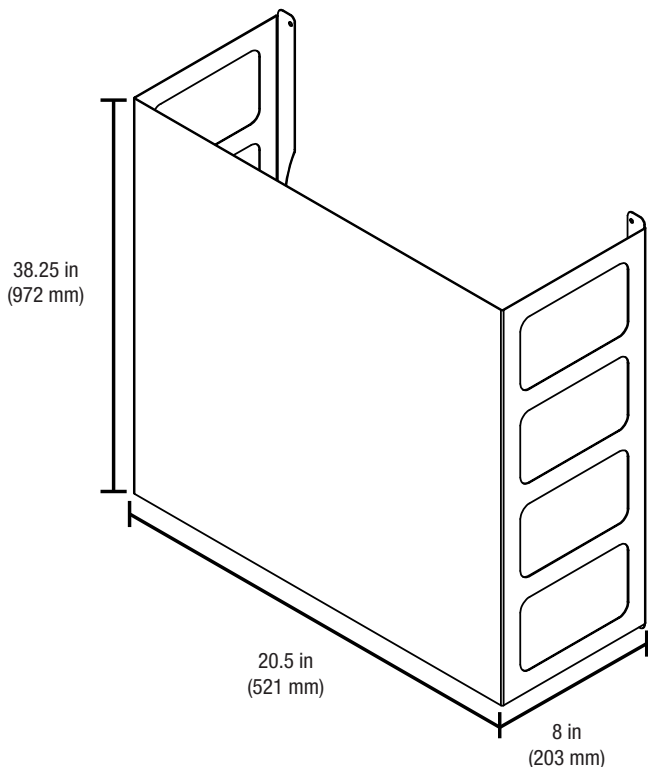
Date: _____

Submitted By: _____

Unit: _____

Drawing #: _____

Dimensions



Specifications

Material	20 Ga. G90 Galvanized Steel
Finish	Powder Coat

Compatibility

Arctic Series	1U09EH2VHA 1U12EH2VHA
---------------	--------------------------



GE APPLIANCES
a Haier company

For more information visit us:
www.Haierductless.com
www.Haierductlesshelp.com

Job Name: _____

Purchaser: _____

Submitted To: _____

Construction: _____

Reference: _____

Approval: _____

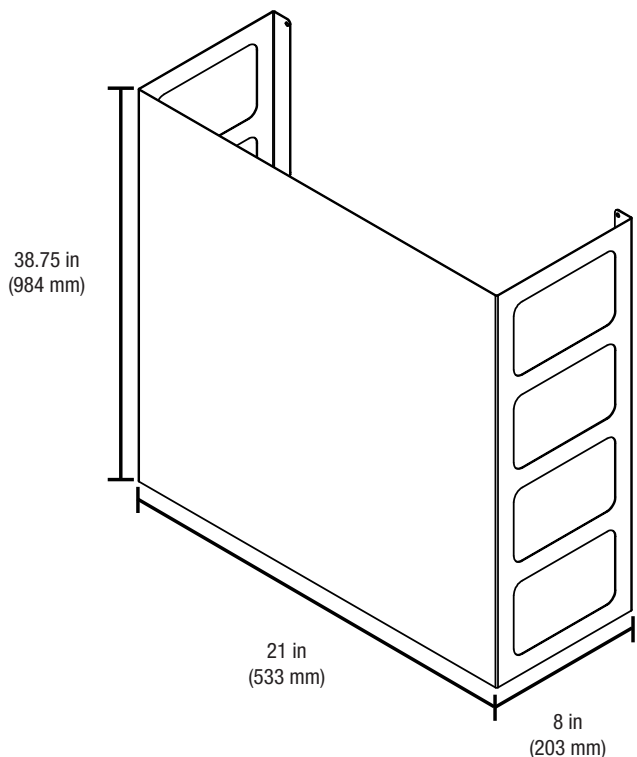
Date: _____

Submitted By: _____

Unit: _____

Drawing #: _____

Dimensions



Specifications

Material	20 Ga. G90 Galvanized Steel
Finish	Powder Coat

Compatibility

FlexFit Series	4U36MS2VHB
----------------	------------



GE APPLIANCES
a Haier company

For more information visit us:
www.Haierductless.com
www.Haierductlesshelp.com

Job Name: _____

Purchaser: _____

Submitted To: _____

Construction: _____

Reference: _____

Approval: _____

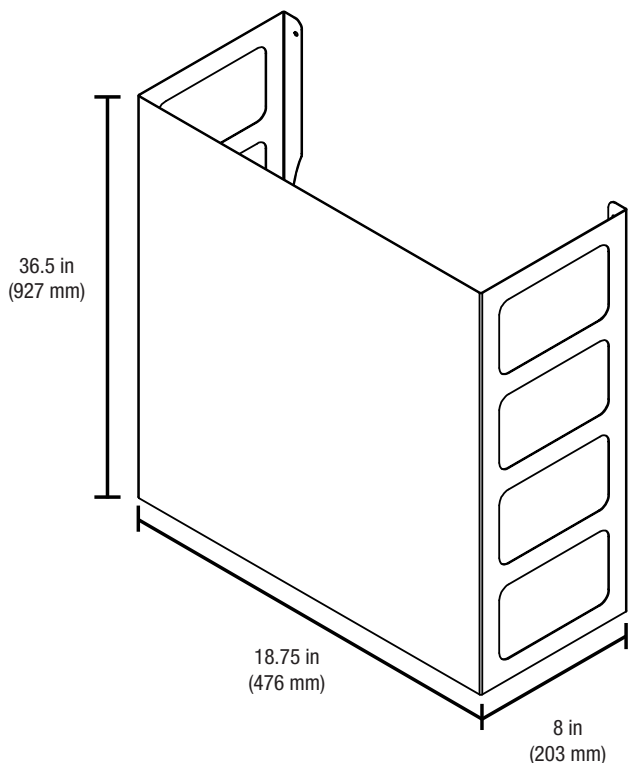
Date: _____

Submitted By: _____

Unit: _____

Drawing #: _____

Dimensions



Specifications

Material	20 Ga. G90 Galvanized Steel
Finish	Powder Coat

Compatibility

Tempo Series	1U09TE1VHA 1U12TE1VHA
--------------	--------------------------



GE APPLIANCES
a Haier company

For more information visit us:
www.Haierductless.com
www.Haierductlesshelp.com

Job Name: _____

Purchaser: _____

Submitted To: _____

Construction: _____

Reference: _____

Approval: _____

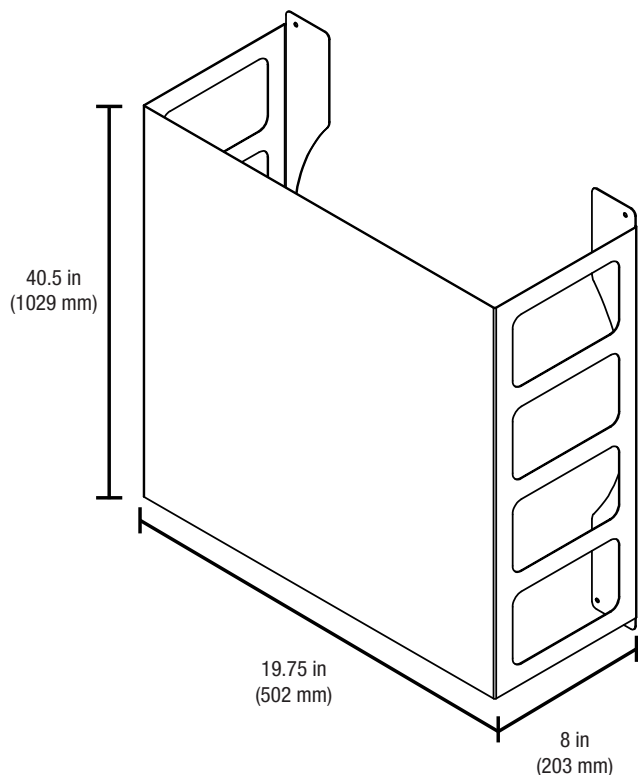
Date: _____

Submitted By: _____

Unit: _____

Drawing #: _____

Dimensions



Specifications

Material	20 Ga. G90 Galvanized Steel
Finish	Powder Coat

Compatibility

Advanced Series	1U09ES2VHA 1U12ES2VHA
-----------------	--------------------------



GE APPLIANCES
a Haier company

For more information visit us:
www.Haierductless.com
www.Haierductlesshelp.com

Job Name: _____

Purchaser: _____

Submitted To: _____

Construction: _____

Reference: _____

Approval: _____

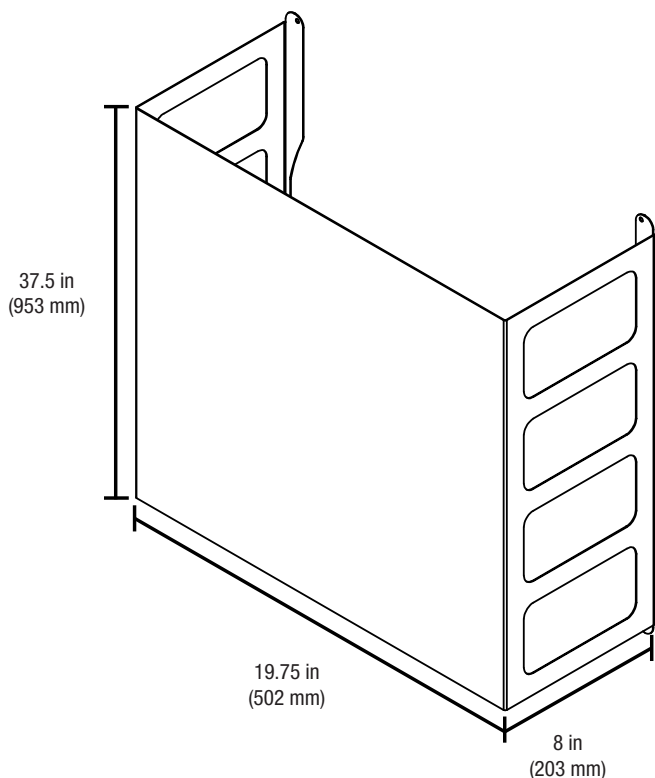
Date: _____

Submitted By: _____

Unit: _____

Drawing #: _____

Dimensions



Specifications

Material	20 Ga. G90 Galvanized Steel
Finish	Powder Coat

Compatibility

FlexFit Series	2U18MS2VHB 1U18LC2VHA
----------------	--------------------------



GE APPLIANCES
a Haier company

For more information visit us:
www.Haierductless.com
www.Haierductlesshelp.com

Job Name: _____

Purchaser: _____

Submitted To: _____

Construction: _____

Reference: _____

Approval: _____

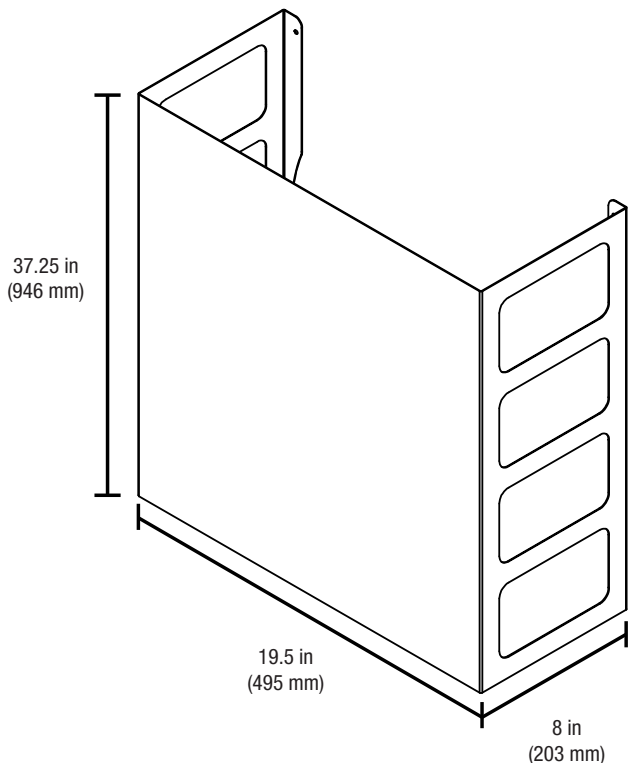
Date: _____

Submitted By: _____

Unit: _____

Drawing #: _____

Dimensions



Specifications

Material	20 Ga. G90 Galvanized Steel
Finish	Powder Coat

Compatibility

FlexFit Series	3U24MS2VHB
----------------	------------



GE APPLIANCES
a Haier company

For more information visit us:
www.Haierductless.com
www.Haierductlesshelp.com

Job Name: _____

Purchaser: _____

Submitted To: _____

Construction: _____

Reference: _____

Approval: _____

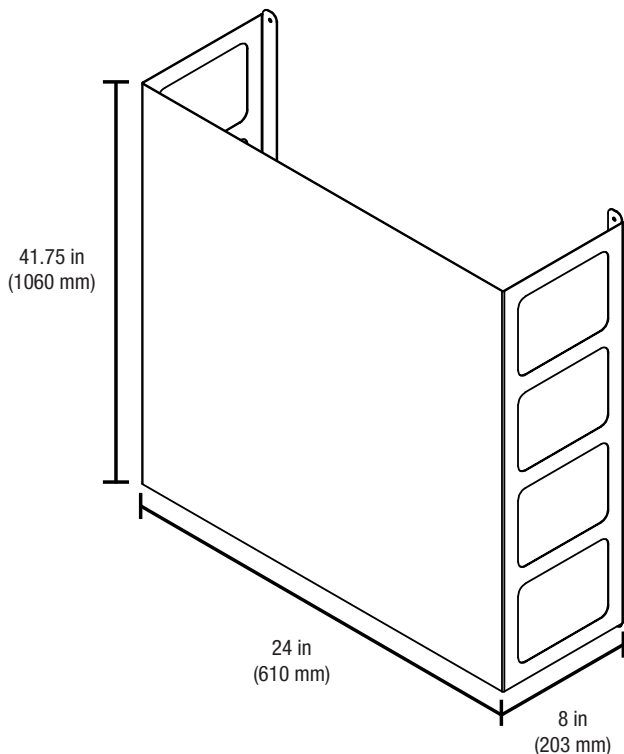
Date: _____

Submitted By: _____

Unit: _____

Drawing #: _____

Dimensions



Specifications

Material	20 Ga. G90 Galvanized Steel
Finish	Powder Coat

Compatibility

Tempo Series	1U24TE2VHA
Advanced Series	1U24ES2VHA
Arctic Series	1U18EH2VHA