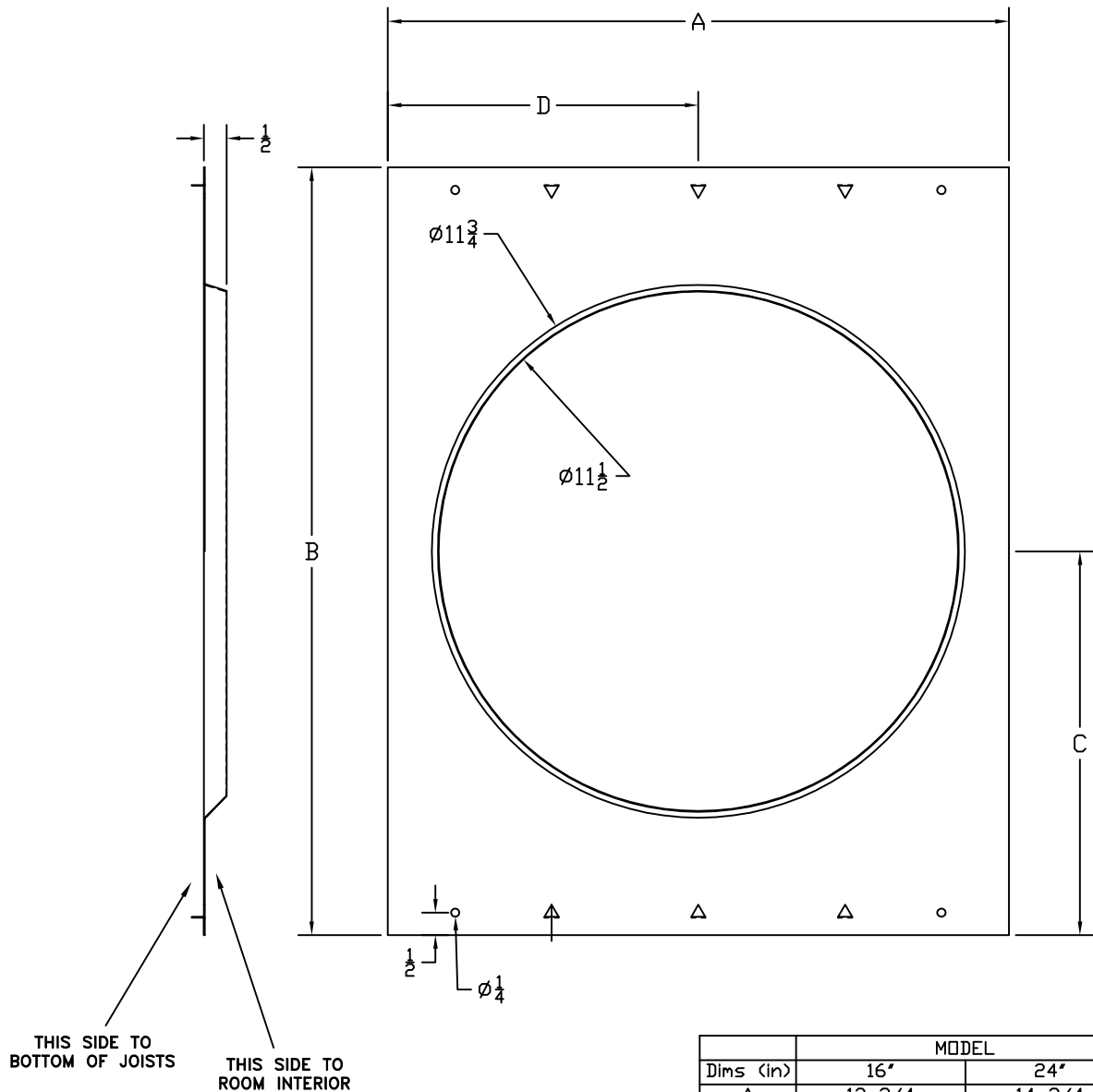


• MATERIAL: GALVANIZED STEEL



Dims (in)	MODEL	
	16'	24'
A	13 3/4	14 3/4
B	17	25
C	8 1/2	12 1/2
D	6 7/8	7 3/8

JOB NAME: _____
 LOCATION: _____
 ARCHITECT: _____
 ENGINEER: _____
 CONTRACTOR: _____

DATE: 05/08/2014 | RZ-2162

ROUGH-IN PLATE
 16" & 24" O/C
 FOR ROUND REZZIN CEILING
 DIFFUSER