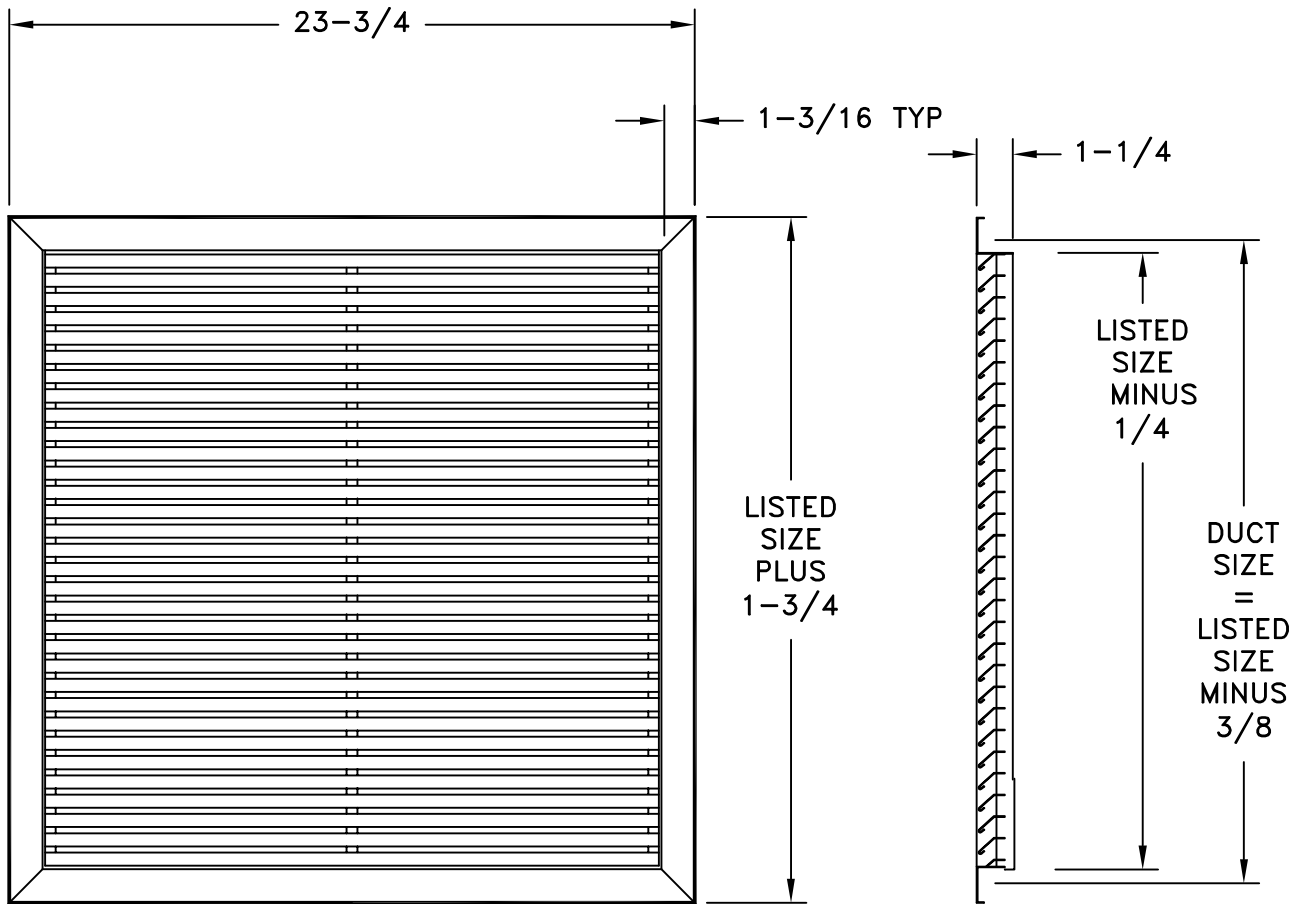


- FITS STANDARD T-BAR CEILING SYSTEMS
- 35 DEGREE DEFLECTION ANGLE
- BARS 3/4 INCH ON CENTERS
- OPPOSED BLADE DAMPER AVAILABLE FOR REGISTER APPLICATIONS
- FINISH: BAKED WHITE (W) ENAMEL



LISTED SIZE	T-BAR SIZE	OVERALL
22x10	24x12	$23\text{-}3/4$ x $11\text{-}3/4$
22x22	24x24	$23\text{-}3/4$ x $23\text{-}3/4$
22x46	24x48	$23\text{-}3/4$ x $47\text{-}3/4$

JOB NAME: _____	SUBMITTED BY: _____	DATE: 04/09/2014	SD-9408
LOCATION: _____		94AT Steel Return Air Grille T-Bar Lay-In	
ARCHITECT: _____			
ENGINEER: _____			
CONTRACTOR: _____			