

PC3F1558IUF00 Hydronic Circulating 3 Speed Pump

SPECIFICATION DATA



APPLICATION

The PC3F in-line, wet rotor circulator with universal flange is designed for applications in closed-loop hydronic heating and cooling systems, as well as in solar-powered systems. The pump is non-submersible and for use in dry, frost-free, well-ventilated installations.

SPECIFICATIONS

Rate of flow: Up to 15 gpm (56.8 lpm)

Pressure head: Up to 19.4 ft (6 m)

Voltage:
115 VAC +/- 10% 60Hz

Amperage:
See "Speed switching" on page 2.

Max. Pressure:
145 psi (at room temperature);
50 psi (at 200°F [93°C])

Temperature Range:
Ambient temperature: 32°F to 104°F (0°C to 40°C)
Media temperature: 14°F to 230°F (-10°C to 110°C) [to 200°F (93°C) with optional check valve installed]

Storage Temperature: -40°F to 100°F (-40° to 66°C)

Standards:
Insulation Class F
Temperature class: TF 95

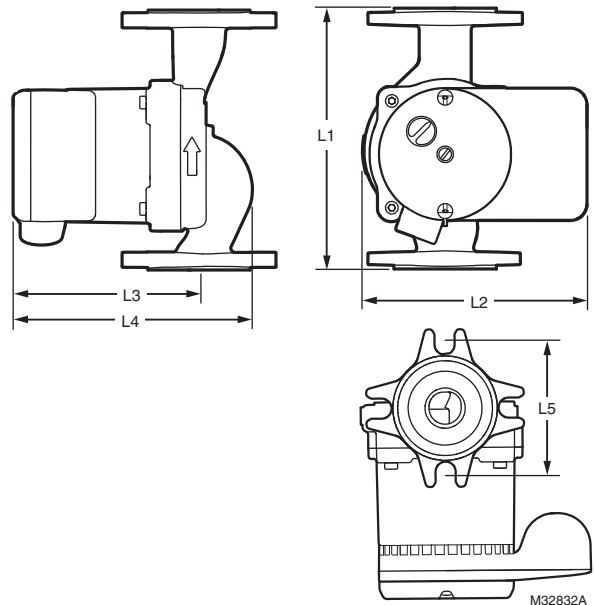


Fig. 1. Pump dimensions in in. (mm).

| L1 | L2 | L3 | L4 | L5 |
|-------------|-----------|-----------|-----------|------------|
| 6.5 (165.5) | 5.5 (140) | 4.7 (118) | 6.6 (167) | 3.2 (80.2) |

Shipping Weight: 7.8 lbs (3.54 Kg)



Materials

| Component | Material |
|---------------|-----------------|
| Pump body | Cast iron |
| Impeller | Polyamide |
| Shaft | Ceramic |
| Bearing | Ceramic |
| Bearing plate | Stainless steel |
| Can | Stainless steel |

Control: 3-step switch with manual speed selection

Motor Protection

The motor includes an internal thermal overload protection.
External motor protection is not required.

Speed switching

Three speed, with manual selector.

| Speed | Volts | Amps | Watts |
|-------|-------|------|-------|
| 1 | 115 | 0.28 | 32 |
| 2 | | 0.48 | 55 |
| 3 | | 0.74 | 85 |

Flange Connections

Universal flange
Bolt hole spacing: 3-5/32 in. (80.2 mm)
Bolt holes: 1/2 in. (12.7 mm)

Media

Clean water or water with up to 20% glycol. Up to 50% glycol may be used, but flow characteristics will differ from these specifications.

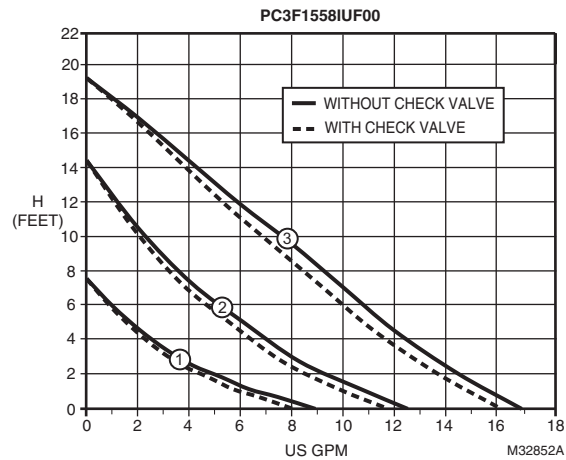


Fig. 2. Flow curve characteristics.

Optional and Replacement Parts

Check valves: PCV100
Flange gasket: PCG100

Table 1. Cross Reference for Pump Replacement

| Honeywell | | | Grundfos | | Taco | | Bell & Gossett | Armstrong | Wilo | |
|---------------|-------------|--------|-------------------------|-----------------------------------|--|---------------------|------------------------|---|--------------|---------------|
| Model | Pump Length | Speed | Single Speed | 3-Speed | Single Speed | 3-Speed | | | Single Speed | 3-Speed |
| PC3F1558IUF00 | 6.5" | High | UP-42F UP-42F-FC | UPS15-58 High UPS15-58-FC High | 005F 007F 008F 008F-IFC | 00R High 00R Med | NRF-22 LR-20WR | Astro 30 Astro 30-3 Astro 50-3 Astro 230C1 | Star 16 | Star S16 High |
| | | Medium | UP15-42FC | UPS15-58 Low UPS15-58-FC Low | 005F-IFC 006F 006F-IFC 007F-IFC | 00R Low | NRF9F/LW NRF-25 Med | | | Star S16 Med |
| | | Low | UP15-18F UP15-18F-FC | | | | | | | |

The information in this table is based on publicly available information as of the date of this publication. Honeywell is not liable if information is found to be incorrect.

If the cross referenced model uses a flow check valve, then use a flow check with the Honeywell model as well.

Each Honeywell circulator replaces both regular and rotated flange models.

Automation and Control Solutions

Honeywell International Inc.
1985 Douglas Drive North
Golden Valley, MN 55422
customer.honeywell.com

Honeywell