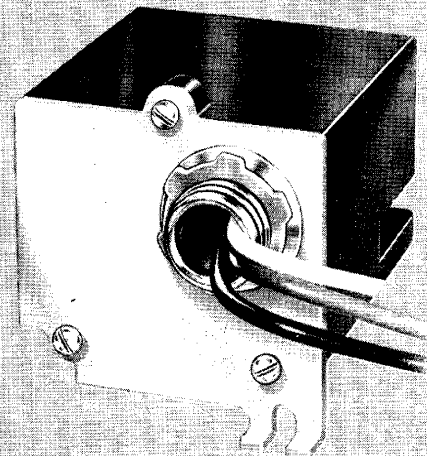


Honeywell

FAN RELAYS

THE R4225 FAN RELAYS PROVIDE LINE VOLTAGE CONTROL OF LINE VOLTAGE FAN MOTORS AND AUXILIARY CIRCUITS IN HEATING, COOLING, AND HEATING-COOLING SYSTEMS. THE R8225 FAN RELAYS PROVIDE LOW VOLTAGE (24 V) CONTROL OF LINE VOLTAGE FAN MOTORS AND AUXILIARY CIRCUITS IN HEATING, COOLING, AND HEATING-COOLING SYSTEMS.

- One-half inch conduit spud fitting for mounting on junction box.
- Color-coded leadwires for easier wiring.
- Totally enclosed for long, trouble-free service life.



R4225A,B R8225A-D

SPECIFICATIONS

— IMPORTANT —

THE SPECIFICATIONS GIVEN IN THIS PUBLICATION DO NOT INCLUDE NORMAL MANUFACTURING TOLERANCES. THEREFORE, THIS UNIT MAY NOT MATCH THE LISTED SPECIFICATIONS EXACTLY. ALSO, THIS PRODUCT IS TESTED AND CALIBRATED UNDER CLOSELY CONTROLLED CONDITIONS, AND SOME MINOR DIFFERENCES IN PERFORMANCE CAN BE EXPECTED IF THOSE CONDITIONS ARE CHANGED.

TRADELINE MODEL

TRADELINE models are selected and packaged to provide ease of stocking, ease of handling, and maximum replacement value. TRADELINE model specifications are the same as those of standard models except as noted below.

TRADELINE MODEL AVAILABLE:
R8225A Fan Relay—spdt switching.

ADDITIONAL FEATURES: TRADELINE pack with cross reference label and special instruction sheet. Includes flush mounting bracket.

ELECTRICAL RATINGS:

CONTACTS	120 Vac	240 Vac
Normally Open	3/4 hp	1 hp
	14 AFL	8 AFL
	84 ALR	48 ALR
Normally Closed	16A Res.	8A Res.
	3/4 hp	3/4 hp
	14 AFL	7 AFL
	84 ALR	42 ALR
	10A Res.	7A Res.

AFL—Amperes Full Load
ALR—Amperes Locked Rotor
Res.—Resistive

STANDARD MODELS:

R4225A Fan Relay—spdt switching; one normally open and one normally closed contact.
R4225B Fan Relay—spst switching; normally open contacts.
R8225A Fan Relay—spdt switching; one normally open and one normally closed contact.

R8225B Fan Relay—spst switching; normally open contacts.
R8225C Fan Relay—dpst switching; one normally open and one normally closed contact.
R8225D Fan Relay—dpst switching; one normally open main and one normally open auxiliary pole.

(continued page 3)

ORDERING INFORMATION

WHEN PURCHASING REPLACEMENT AND MODERNIZATION PRODUCTS FROM YOUR TRADELINE WHOLESALER OR YOUR DISTRIBUTOR, REFER TO THE TRADELINE CATALOG OR PRICE SHEETS FOR COMPLETE ORDERING NUMBER, OR SPECIFY—

1. Order number, TRADELINE if desired.
2. Accessory, if desired.

IF YOU HAVE ADDITIONAL QUESTIONS, NEED FURTHER INFORMATION, OR WOULD LIKE TO COMMENT ON OUR PRODUCTS OR SERVICES, PLEASE WRITE OR PHONE:

1. YOUR LOCAL HONEYWELL RESIDENTIAL SALES OFFICE (CHECK WHITE PAGES OF PHONE DIRECTORY).
2. RESIDENTIAL DIVISION CUSTOMER SERVICE
HONEYWELL INC., 1885 DOUGLAS DRIVE NORTH
MINNEAPOLIS, MINNESOTA 55422-4386 (612) 542-7500

IN CANADA—HONEYWELL CONTROLS LIMITED/HONEYWELL LIMITEE, 740 ELLESMERE ROAD, SCARBOROUGH, ONTARIO M1P 2V9. INTERNATIONAL SALES AND SERVICE OFFICES IN ALL PRINCIPAL CITIES OF THE WORLD.

ELECTRICAL RATINGS:

CONTACTS	120 Vac	240 Vac
Normally Open	3/4 hp.	1 hp.
	14 AFL	8 AFL
	84 ALR	48 ALR
	16 A Res.	8 A Res.
Normally Closed	3/4 hp	3/4 hp
	14 AFL	7 AFL
	84 ALR	42 ALR
	14 A Res.	7 A Res.
Auxiliary	1/10 hp	1/8 hp
	3 AFL	2 AFL
	18 ALR	12 ALR
	3 A Res.	2 A Res.

AFL—Amperes Full Load
 ALR—Locked Rotor
 Res.—Resistive

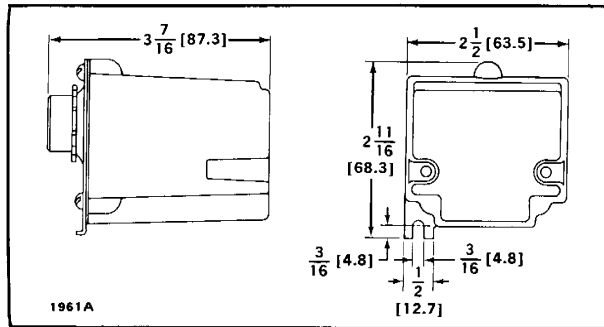


FIG. 1—R4225/R8225 INSTALLATION DIMENSIONS IN in. [mm IN BRACKETS].

COIL CHARACTERISTICS:

COIL VOLTAGE	INRUSH	SEALED	PULL IN VOLTAGE	MAX. WATTAGE
24 V	11 VA	6 VA	18 V	3.0
120 V	44 VA	24 VA	90 V	2.7
240 V	88 VA	48 VA	180 V	2.7

CONTACTS: Silver cadmium oxide.
 MAXIMUM AMBIENT OPERATING TEMPERATURE: 115 F [46 C].
 CASE: Molded plastic with steel mounting plate.
 MOUNTING MEANS: Mounts to standard 1/2 in. knock-out or optional mounting bracket (Fig. 2) with 1/2 in. [12.7 mm] mounting spud.
 DIMENSIONS: See Fig. 1.
 ACCESSORY: 134259 Flush Mounting Bracket. See Fig. 2.
 APPROVAL BODIES:
 UNDERWRITERS LABORATORIES INC. LISTED: R4225A,B; R8225A-D; File No. E14480, Guide No. NLDX.
 CANADIAN STANDARDS ASSOCIATION: R4225A,B; R8225A-D; File No. 1620.

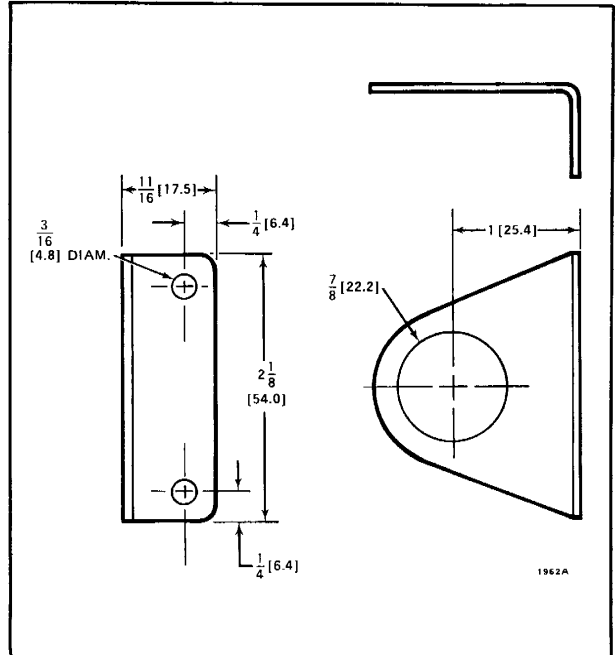


FIG. 2—MOUNTING BRACKET DIMENSIONS IN in. [mm IN BRACKETS].

INSTALLATION

WHEN INSTALLING THIS PRODUCT . . .

1. Read these instructions carefully. Failure to follow them could damage the product or cause a hazardous condition.
2. Check the ratings given in the instructions and on the product to make sure the product is suitable for your application.
3. Installer must be a trained, experienced service technician.
4. After installation is complete, check out product operation as provided in these instructions.

CAUTION

Disconnect power supply before beginning wiring to prevent electrical shock or equipment damage.

LOCATION AND MOUNTING

The R4225A,B/R8225A-D Fan Relays may be mounted in any convenient position. Choose a location where the maximum ambient operating temperature for the unit will not be exceeded. The relays have a 1/2 in. [12.7 mm] conduit spud for mounting on a junction box.

To mount, remove the conduit spud nut and place the spud through the knockout in the junction box or hole in flush mounting bracket (if used). Replace nut and tighten. Drill a hole in the mounting surface and secure relay in place using a screw through tab of the mounting plate. See Fig. 1 for mounting dimensions.

WIRING

Disconnect power supply before beginning installation to prevent electrical shock or equipment damage. All wiring must comply with local electrical codes and

ordinances. Refer to manufacturer's instructions whenever possible, or refer to Figs. 3-6 for typical hookups. Control wiring on the R4225 is routed through the conduit spud.

Control circuit (coil) wires for all fan relays are routed through the side of the plastic relay case.

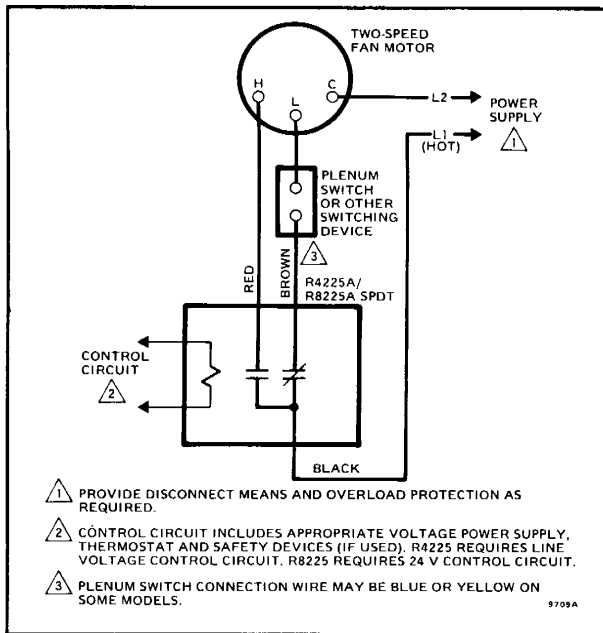


FIG. 3—R4225A/R8225A TYPICAL HOOKUP WITH TWO-SPEED FAN.

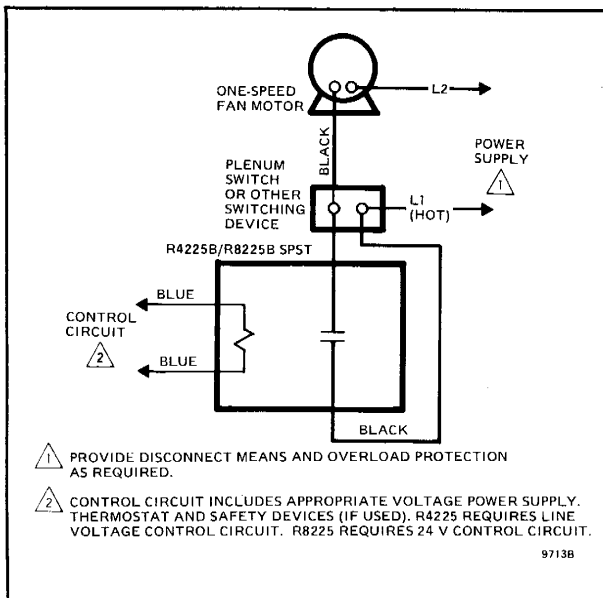


FIG. 4—R4225B/R8225B TYPICAL HOOKUP WITH ONE-SPEED FAN.

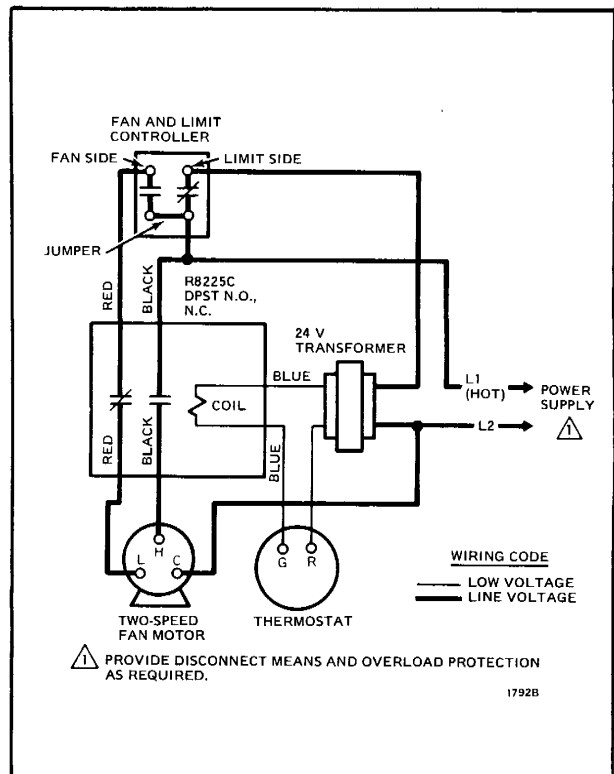


FIG. 5—R8225C TYPICAL HOOKUP WITH TWO-SPEED FAN AND COMBINATION FAN AND LIMIT CONTROLLER.

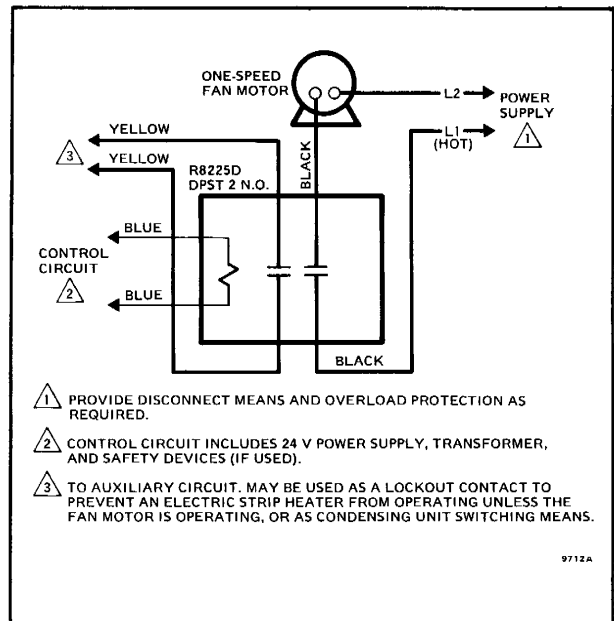


FIG. 6—R8225D TYPICAL HOOKUP WITH ONE-SPEED FAN AND AUXILIARY LOAD.

CHECKOUT

Operate the system according to the manufacturer's instructions for at least one cycle in both heating and cooling to make sure the system and the fan relay operate as intended.