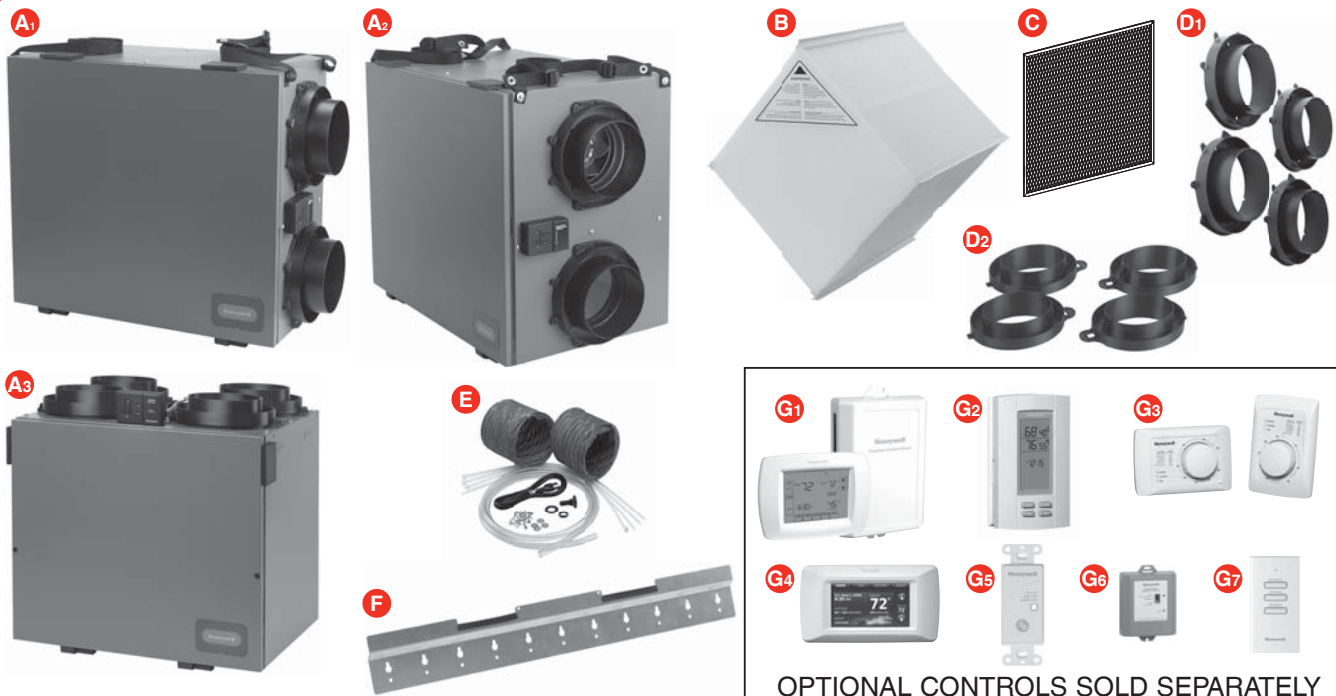


TrueFRESH™ ERV/HRV Ventilation Systems Systèmes de ventilation VRÉ/VRC TrueFRESH™

PROFESSIONAL INSTALLATION GUIDE
GUIDE D'INSTALLATION PROFESSIONNELLE

INCLUDED IN THIS BOX



OPTIONAL CONTROLS SOLD SEPARATELY

Tools required to install ERV/HRV

- Aluminum foil tape (UL181B)
- Standard screwdriver
- Crescent wrench
- Hex driver (1/4 in.)

Accessories (not included)

- 6 in. Dia. insulated duct (VNT5150, VNT5200, VNT6150 & VNT6200)
- 6 in. Dia. duct (VNT5150, VNT5200)
- Two 6 in. Dia. weather hoods (VNT5150, VNT5200, VNT6150 & VNT6200)
- 5 in. Dia. insulated flex duct (VNT5070)
- 5 in. Dia. flex duct (VNT5070)
- 5 in. Dia. matrix hood, 50063805-009 (VNT5070)

- A₁** ERV/HRV VNT5150H1000, VNT5150E1000 or VNT6150H1000
- A₂** ERV/HRV VNT5200H1000, VNT5200E1000 or VNT6200H1000
- A₃** ERV/HRV VNT5070H1000 or VNT5070E1000
- B** Heat/Energy Recovery Core (1)
- C** Filter (2)
- D₁** Round Duct Collars (4) (VNT5150 and VNT5200, VNT6150 & VNT6200)
- D₂** Oval Duct Collars (VNT5070)
- E** Installation Kit (flex included with 5150 and 5200, VNT6150 & VNT6200)
- F** Wall Mount Bracket (VNT5070)
- G** Optional Controls: 1- Vision Pro IAQ, 2 - True IAQ, 3 - Dehumidistat H8908D, 4 - Prestige IAQ, 5 - 20/40/60 Minute Boost Control, 6 - W8150 Ventilation Control 7 - Vent Boost Remote



Installation Checklist

Included in This Box

- A1 ERV/HRV VNT5150H1000, VNT5150E1000 or VNT6150H1000
- A2 ERV/HRV VNT5200H1000, VNT5200E1000 or VNT6200H1000
- A3 ERV/HRV VNT5070H1000 or VNT5070E1000
- B Heat/Energy Recovery Core
- C Filter (2)
- D1 Round Duct Collars (4) [VNT5150, VNT5200, VNT6150, VNT6200]
- D2 Oval Duct Collars (VNT5070)
- E Installation Kit
- F Wall Mount Bracket (VNT5070)
- G Optional controls (sold separately)

Control Options (Sold separately)

- G1 - Vision Pro IAQ
- G2 - True IAQ
- G3 - Dehumidistat H8908D
- G4 - Prestige IAQ
- G5 - 20/40/60 Minute Boost Control
- G6 - W8150 Ventilation Control
- G7 - Vent Boost Remote

Tools Required (not supplied)

- Aluminum foil tape (UL1818)
- Standard screwdriver
- Crescent wrench
- Hex driver (1/4 in.)

Accessories (not included)

- 6 in. Dia. insulated duct (VNT5150, VNT5200, VNT6150, VNT6200)
- 6 in. Dia. duct (VNT5150, VNT5200, VNT6150, VNT6200)
- Two 6 in. Dia. weather hoods (VNT5150, VNT5200, VNT6150, VNT6200)
- 5 in. Dia. insulated flex duct (VNT5070)
- 5 in. Dia. flex duct (VNT5070)
- 5 in. Dia. matrix hood, 50063805-009 (VNT5070)



Warning: Installation must be performed by a qualified service technician and must comply with local codes. Remove power to the device before installing or servicing the device. Failure to connect the device according to these instructions may result in damage to the device or the controls.

INSTALLATION INSTRUCTIONS
BEGIN ON PAGE 1

Liste de vérification pour l'installation

Contenu

- A1 VRE/VRC VNT5150H1000, VNT5150E1000 ou VNT6150H1000
- A2 VRE/VRC VNT5200H1000, VNT5200E1000 ou VNT6200H1000
- A3 ERV/HRV VNT5070H1000 ou VNT5070E1000
- B Noyau de récupération de chaleur et d'énergie
- C Filtre (2)
- D1 Colliers de conduit ronds (4) (VNT5150, VNT5200, VNT6150, VNT6200)
- D2 Colliers de conduit ovales (VNT5070)
- E Nécessaire d'installation (flexible inclus avec le 5150 et le 5200)
- F Support de montage mural (VNT5070)
- G Commandes en option (vendues séparément)

Commandes en option (vendues séparément)

- G1 - Vision Pro IAQ
- G2 - True IAQ
- G3 - Déshumidistat H8908D
- G4 - Prestige IAQ
- G5 - Minuteur de ventilation à haute vitesse (20, 40 ou 60 minutes)
- G6 - Régulateur de ventilation W8150
- G7 - Commande à distance de surventilation

Outils nécessaires (non fournis)

- Ruban d'aluminium (UL1818)
- Tournevis standard
- Clé à molette
- Tournevis à tête hexagonale (1/4 po)

Accessoires (non inclus)

- Conduit isolé de 6 po de diamètre (VNT5150, VNT5200, VNT6150, VNT6200)
- Conduit de 6 po de diamètre (VNT5150, VNT5200, VNT6150, VNT6200)
- Hottes anti-intempéries de 6 po (VNT5150, VNT5200, VNT6150, VNT6200)
- Conduit flexible isolé de 5 po de dia. (VNT5070)
- Conduit flexible de 5 po (VNT5070)
- Hotte à matrice de 5 po (VNT5070)



Avertissement : L'installation doit être effectuée par un technicien qualifié et être conforme aux règlements locaux. Débranchez l'appareil avant de l'installer ou d'en effectuer l'entretien. Un branchement de l'appareil non conforme aux présentes instructions pourrait entraîner des dommages à l'appareil lui-même ou aux commandes.

INSTRUCTIONS POUR L'INSTALLATION COMMENCENT À LA
page 44.

TrueFRESH™ ERV/HRV Balanced Ventilation Systems

ABOUT THE ERV/HRV VENTILATION SYSTEM

Benefits.....	2
Determining Your Ventilation Needs.....	3
Specifications	4
External Control Options	13

INSTALLATION

Install to Fit Your Application.....	14
Installation Steps	17
Automated Defrost.....	24
Wiring	24
Terminal Description.....	24
Wiring with Remote Controls.....	25
Controls Wiring.....	25
Control Panel.....	29
Balancing Steps.....	30
Speed Control used as a Mode Control	30
Speed Control used as a Balancing Control	31
Speed Control used as a Motor Control	31
Balancing Reset	32
Checkout	32

MAINTENANCE

Maintenance	34
Cleaning Steps	35
Troubleshooting	36
Honeywell OS and Parts List.....	39
Parts Illustration: VNT5150, VNT5200, VNT6150 & VNT6200	40
Parts Illustration: VNT5070.....	41

WARRANTY

5-Year Limited Warranty	42
-------------------------------	----

- Prior to installing, serious consideration must be taken to ensure this ventilation system will operate properly if integrated to any other type of mechanical system, i.e. a forced air system, or an air handling unit. To ensure proper operation and compatibility of both systems, it is required that the unit's airflows (intake and exhaust) be balanced, by following the procedures found in this manual
- Install the unit with space to access the front panel controls and the side access panel for maintenance and service.
- To ensure quiet operation, do not place the device directly on the structural supports of the home.
- The product is for residential applications only. Must be installed in accordance with all national and local regulations, building and safety codes



NEED HELP? For assistance with this product please visit <http://yourhome.honeywell.com> or call Honeywell Customer Care toll-free at 1-800-468-1502.

Read and save these instructions.

About the ERV/HRV Ventilation System

The Honeywell TrueFRESH™ ERV/HRV Balanced Ventilation System provides improved indoor air quality through its high performance and efficiency.

Benefits

- Ventilation with sensible heat recovery (ERV and HRV)
- Ventilation with latent heat recovery (ERV only)
- Simplified mounting (hanging)
- Optional hanging of VNT5070 with purchase of 50053952-009.
- Removable duct collars for easy ducting to the unit
- Intuitive balancing via two variable speed motors and a speed control
- Fits in tight spaces (VNT5070)



CAUTION: Electrical shock and fire hazard. Can cause personal and equipment damage.

- Before servicing or cleaning the system, always remove the power cord from the AC wall outlet.
- Wear protective clothing and safety glasses when installing ventilator and working with sheet metal.
- To reduce the hazards of electric shock or fire, do not perform any service to the system other than those stated in the operating manual instructions.
- To reduce the risk of electric shock, this ventilation system comes equipped with a 3-prong plug-in. This plug will fit in a polarized outlet only one way.
- Do not use ventilation system for outdoor application.
- Do not pull or twist power cord when disconnecting it from the ventilation system. Grasp the plug firmly, not the cord.
- Do not modify the power plug in any way; if modified, risk of electric shock, fire, or even damage to the unit may occur.
- Do not use the ventilation system for removal of flammable fumes, gases or connect directly to any appliances.
- Use a 120 VAC outlet only.
- Do not use an extension cord.
- Do not obstruct or cover the air intake or air outlet of the ventilation system.
- Do not modify, repair or disassemble this system. These tasks are to be performed by authorized serviced personnel only. Fire, electrical shock and/or bodily injury may occur if these warnings are not followed.
- To prevent injuries, do not operate the ventilation system, while servicing or maintaining. There are impeller wheels turning at a very high speed that must fully stop rotating prior to accessing the inside of the unit.
- Always assess how the operation of the ventilation system may interact with vented combustion equipment (i.e. Gas Furnace, Oil Furnace, Combustion, Appliances, etc.)
- Ensure unit is properly installed and suspended to prevent falling or dropping injuries.

Determining Your Ventilation Needs

How much fresh air do you need?

Good air quality is based in part on the capacity of the home's ventilation system. Usually, the unit's capacity is measured in CFM (Cubic Feet per Minute) or L/s (Liters per second) of fresh air being distributed in the living space. Use the ASHRAE 62.2 Ventilation Standard, the Room Count Calculation Method, or the Air Change Per Hour (ACH) Method to determine your ventilation needs.

ASHRAE 62.2 Ventilation Standard

ASHRAE 62.2 CFM Sizing Chart					
Floor Area (ft ²)	Number of Bedrooms / CFM				
	0-1	2-3	4-5	6-7	>7
< 1500	30	45	60	75	90
1501 - 3000	45	60	75	90	105
3001 - 4500	60	75	90	105	120
4501 - 6000	75	90	105	120	135
6001 - 7500	90	105	120	135	150
> 7500	105	120	135	150	165

ANSI/ASHRAE STANDARD 62.2-2010 - Ventilation Air Requirements; values in cfm

The above chart outlines the minimum requirements for continuous ventilation.

Room Count Calculation Method

Living Space	Number of Rooms	x CFM (or L/s)	=	CFM Required
Master Bedroom		x 20 cfm (or 10 L/s)	=	
Basement		x 20 cfm (or 10 L/s)	=	
Single bedroom		x 10 cfm (or 5 L/s)	=	
Living Room		x 10 cfm (or 5 L/s)	=	
Dining Room		x 10 cfm (or 5 L/s)	=	
Family Room		x 10 cfm (or 5 L/s)	=	
Recreation Room		x 10 cfm (or 5 L/s)	=	
Other		x 10 cfm (or 5 L/s)	=	
Kitchen		x 10 cfm (or 5 L/s)	=	
Bathroom		x 10 cfm (or 5 L/s)	=	
Laundry Room		x 10 cfm (or 5 L/s)	=	
Utility Room		x 10 cfm (or 5 L/s)	=	
Total Ventilation Requirement			=	

Air Change Per Hour (ACH) Method

TOTAL cubic feet X 0.35 per hour = total cubic feet per hour

Take total and divide by 60 to get cubic feet per minute (CFM)

Example: A 25 ft. x 40 ft. (1,000 sq. ft.) house with basement

1,000 sq. ft. x 8 ft. high x 2 (1st floor + basement) = 16,000 cu. ft.

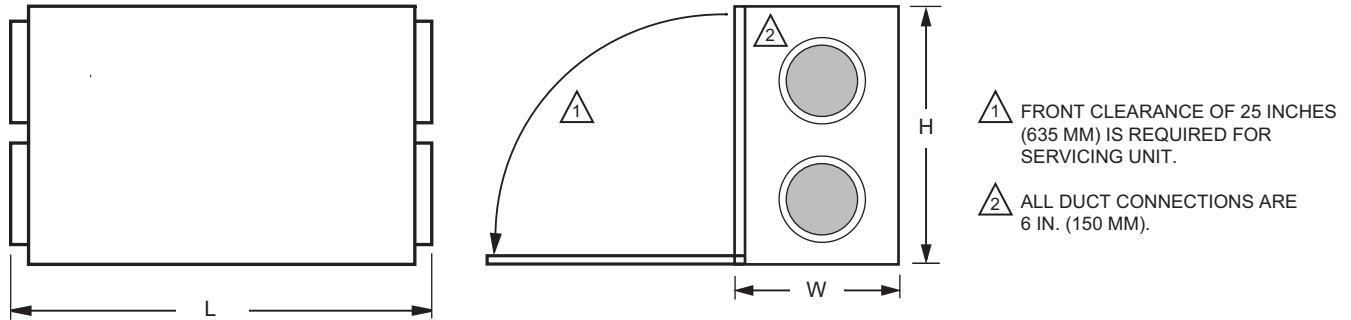
16,000 cu. ft. x 0.35 ACH = 5,600 cubic feet per hour

5,600 cu. ft. / 60 Minutes = 93 cubic feet per minute (CFM)

93 CFM is your ventilation need

Specifications

Dimensions in inches (mm) of VNT5150, VNT5200, VNT6150 and VNT6200

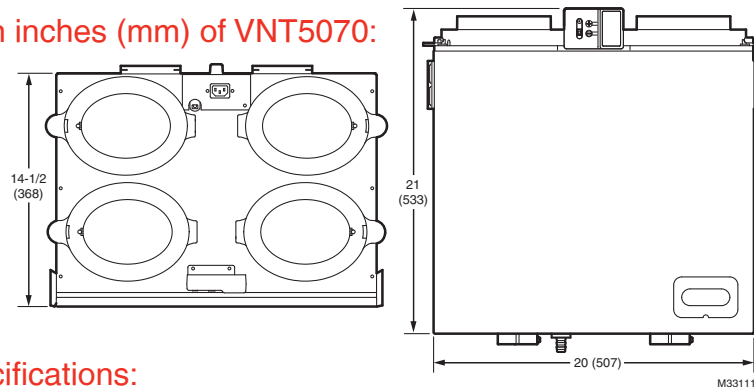


VNT5150H1000, VNT5150E1000 or VNT6150H1000: H = 22 1/2 in. (572 mm), W = 11 1/2 in. (295 mm), L = 29 1/2 in. (749 mm)

VNT5200H1000, VNT5200E1000 or VNT6200H1000: H = 22 1/2 in. (572 mm), W = 16 1/2 in. (422 mm), L = 29 1/2 in. (749 mm)

M28919A

Dimensions in inches (mm) of VNT5070:



Physical Specifications:

Model	Product Weight	Shipping Weight	Heat/Energy Core Dimensions	Filter Dimensions
VNT5150H1000 VNT5150E1000	42 lbs. (19.0 kg)	47.5 lbs. (21.55 kg)	12"x10"x12" 305x254x305 mm	10"x12" 254x305 mm
VNT5200H1000 VNT5200E1000	50 lbs. (22.68 kg)	57.5 lbs. (26.08 kg)	12"x15"x12" 305x381x305 mm	15"x12" 381x305 mm
VNT5070H1000 VNT5070E1000	33 lbs. (15.0 kg)	40.5 lbs. (18.4 kg)	10"x10"x9" 254x254x228.6 mm	9"x9.75" 228.6x247.6 mm
VNT6150H1000	43.5 lbs. (19.7 kg)	50 lbs. (22.7 kg)	12"x10"x12" 305x254x305 mm	10"x12" 254x305 mm
VNT6200H1000	51.5 lbs. (23.4 kg)	61.5 lbs. (27.9kg)	12"x15"x12" 305x381x305 mm	15"x12" 381x305 mm

Operating Ranges:

Ambient Temperature: 34 to 135 °F (1 to 57 °C)

Humidity: 0-99% RH

- **Drain tubing diameter:** 1/2 in. (12.7 mm)

- **Cabinet:** 20 gauge galvanized steel

- **Flexible Duct (2):** VNT5150, VNT5200, VNT6150 & VNT6200: 6 in. round for inlet and outlet. Flexible vinyl, compatible for connection to rigid or flexible ducting with sheet metal screws and/or tape. VNT5070: 5 in. oval for inlet and outlet. Flexible vinyl, compatible for connection to flexible ducting with sheet metal screw and/or tape.

Electrical Ratings:

Input Voltage: 120 VAC, 60 Hz

Input Current: 1.5 A (VNT5150, VNT5200, VNT6150 & VNT6200), 0.85 A (VNT5070)

Output Power to Terminals: 5 VDC, 1.0 A maximum

Standards and Certifications:

CSA-22.2 #113-10

RoHS Compliant

FCC Part 15, Class B

ENERGY STAR (VNT6150H1000 & VNT6200H1000)

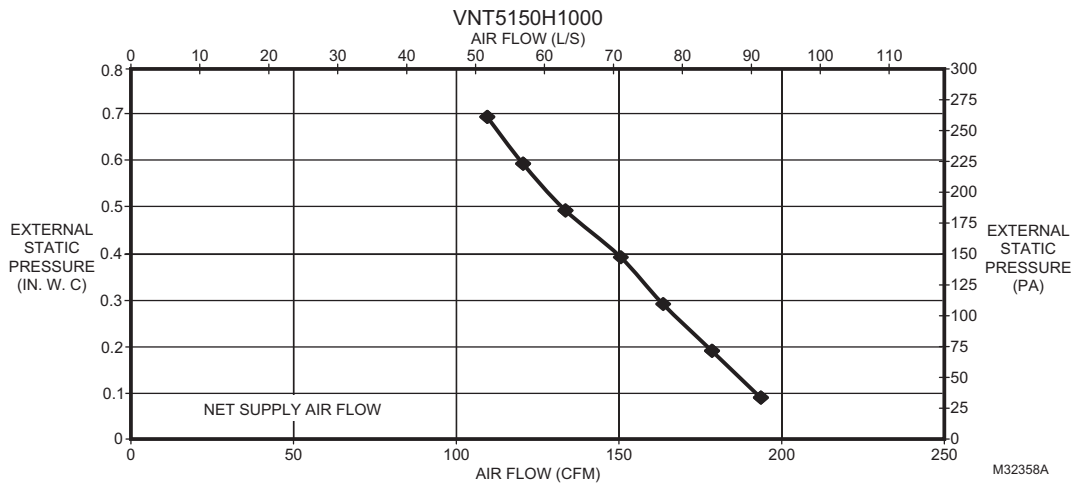


Install the ERV/HRV Ventilation System according to national and local regulations, building, and safety codes.

Specifications (continued)

VNT5150H1000 Ventilation Performance

External Static Pressure		Net Supply Air Flow		Gross Air Flow			
				Supply		Exhaust	
Pa	in. W.C.	L/s	CFM	L/s	CFM	L/s	CFM
25	0.1	91	193	91	194	103	217
50	0.2	84	178	85	179	95	201
75	0.3	77	163	77	163	86	183
100	0.4	71	150	71	151	80	169
125	0.5	63	133	63	134	71	152
150	0.6	57	120	57	121	66	138
175	0.7	51	109	51	109	57	121
200	0.8	46	96	46	96	50	106
225	0.9	40	85	40	86	43	91
250	1	35	75	36	75	39	82



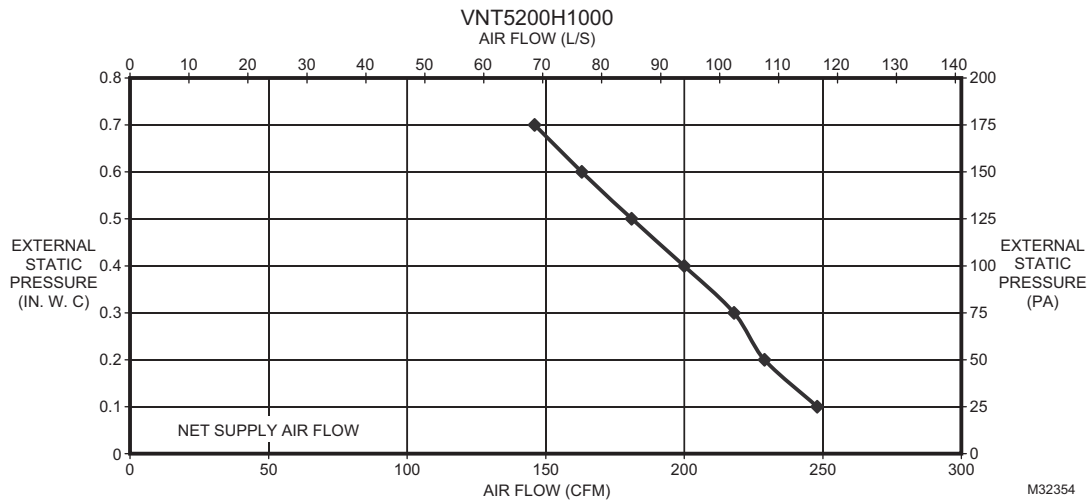
VNT5150H1000 Energy Performance

	Supply Temperature		Net Supply Air Flow		Average Power	Sensible Recovery	Apparent Sensible
	°C	°F	L/s	CFM	Watts	Efficiency %	Effectiveness %
Heating	0	32	31	65	72	66	75
	0	32	39	83	80	63	72
	0	32	50	107	94	60	67
	-25	-13	36	76	72	56	73

Specifications (continued)

VNT5200H1000 Ventilation Performance

External Static Pressure		Net Supply Air Flow		Gross Air Flow			
				Supply		Exhaust	
Pa	in. W.C.	L/s	CFM	L/s	CFM	L/s	CFM
25	0.1	117	248	118	250	130	277
50	0.2	108	229	109	231	119	253
75	0.3	102	218	103	220	110	234
100	0.4	94	200	95	202	101	216
125	0.5	85	181	86	183	92	197
150	0.6	77	163	78	165	82	175
175	0.7	69	146	70	148	71	151
200	0.8	61	129	61	131	60	128
225	0.9	52	110	52	111	49	104
250	1	45	96	46	97	40	86



VNT5200H1000 Energy Performance

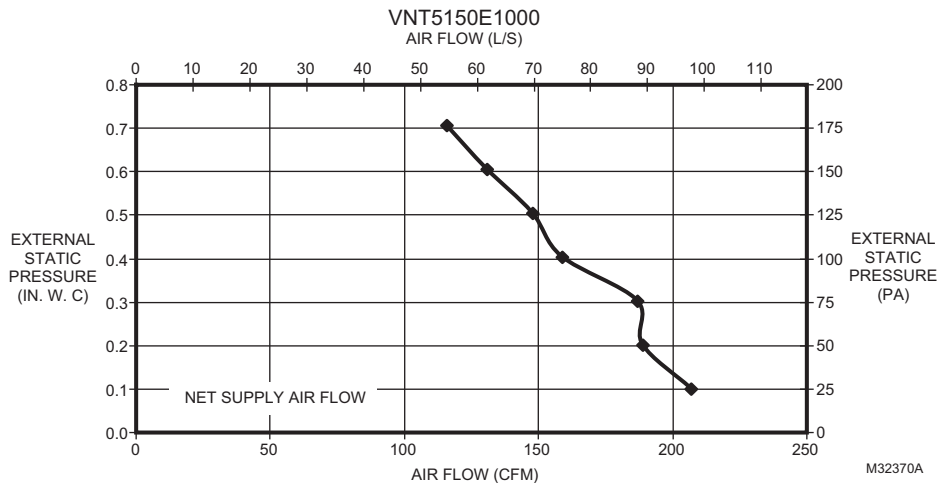
	Supply Temperature		Net Supply Air Flow		Average Power	Sensible Recovery	Apparent Sensible
	°C	°F	L/s	CFM	Watts	Efficiency %	Effectiveness %
Heating	0	32	55	118	106	61	71
	0	32	75	160	132	58	65
	0	32	87	185	150	55	62
	-25	-13	57	120	105	58	72

Total Recovery Efficiency = 48%

Specifications (continued)

VNT5150E1000 Ventilation Performance

External Static Pressure		Net Supply Air Flow		Gross Air Flow			
				Supply		Exhaust	
Pa	in. W.C.	L/s	CFM	L/s	CFM	L/s	CFM
25	0.1	97	207	99	210	99	211
50	0.2	89	189	91	193	91	193
75	0.3	88	187	84	179	84	178
100	0.4	75	159	76	162	76	162
125	0.5	70	148	71	150	69	147
150	0.6	62	131	63	133	62	131
175	0.7	55	116	55	118	55	117
200	0.8	49	104	50	106	48	102
225	0.9	42	90	43	91	43	92
250	1.0	36	77	37	78	40	86
275	1.1	32	68	32	69	32	69



VNT5150E1000 Energy Performance

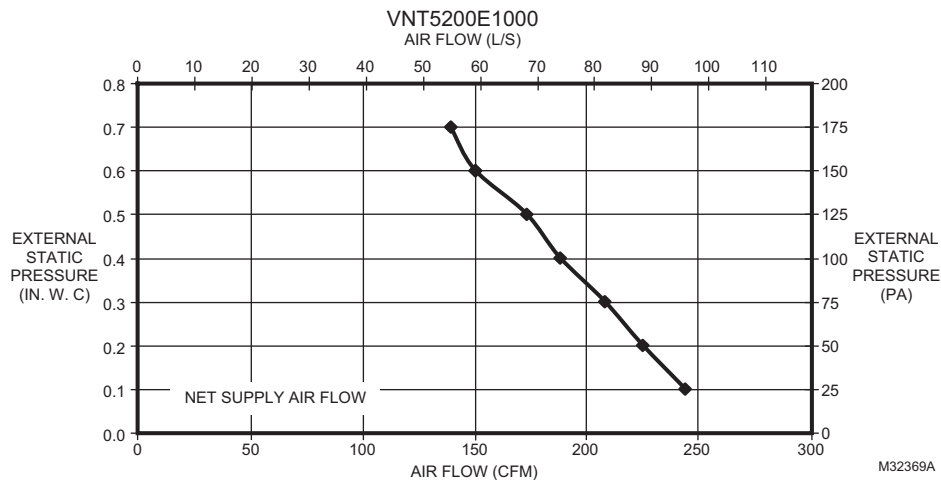
	Supply Temperature		Net Supply Air Flow		Average Power	Sensible Recovery	Apparent Sensible
	°C	°F	L/s	CFM	Watts	Efficiency %	Effectiveness %
Heating	0	32	24	51	58	65	76
	0	32	38	80	76	65	73
	0	32	56	118	96	62	70
	-15	5	26	55	59	52	78
	35	95	30	64	66		

Total Recovery Efficiency = 34%

Specifications (continued)

VNT5200E1000 Ventilation Performance

External Static Pressure		Net Supply Air Flow		Gross Air Flow			
				Supply		Exhaust	
Pa	in. W.C.	L/s	CFM	L/s	CFM	L/s	CFM
25	0.1	115	244	116	247	108	230
50	0.2	106	225	107	228	101	215
75	0.3	98	208	99	210	95	202
100	0.4	88	188	89	190	83	177
125	0.5	81	173	82	175	74	157
150	0.6	71	150	71	152	67	142
175	0.7	65	139	66	140	60	127
200	0.8	57	122	58	124	52	110
225	0.9	49	105	50	106	42	89
250	1	40	86	41	87	37	74
275	1.1	34	72	34	73	30	63



VNT5200E1000 Energy Performance

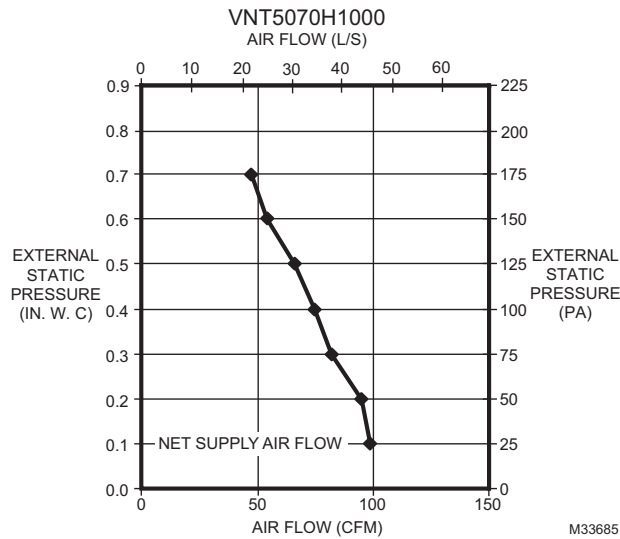
	Supply Temperature		Net Supply Air Flow		Average Power	Sensible Recovery	Apparent Sensible
	°C	°F	L/s	CFM	Watts	Efficiency %	Effectiveness %
Heating	0	32	37	78	74	71	81
	0	32	50	107	80	72	79
	0	32	71	150	102	69	77
	-15	5	36	75	65	58	82
	35	95	35	75	72		

Total Recovery Efficiency = 48%

Specifications (continued)

VNT5070H1000 Ventilation Performance

External Static Pressure		Net Supply Air Flow		Gross Air Flow			
				Supply		Exhaust	
Pa	in. W.C.	L/s	CFM	L/s	CFM	L/s	CFM
25	0.1	47	99	48	100	48	102
50	0.2	44	93	45	94	43	92
75	0.3	39	83	40	84	38	80
100	0.4	35	75	35	75	36	78
125	0.5	30	65	30	66	32	68
150	0.6	27	56	27	57	25	52
175	0.7	22	46	22	47	19	41



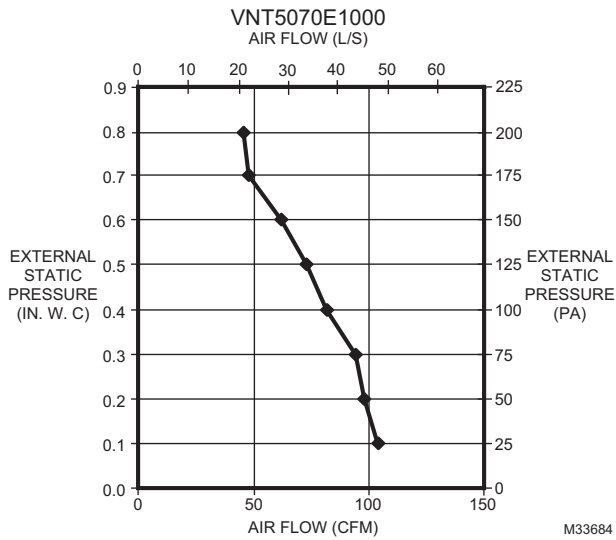
VNT5070H1000 Energy Performance

	Supply Temperature		Net Supply Air Flow		Average Power	Sensible Recovery	Apparent Sensible
	°C	°F	L/s	CFM	Watts	Efficiency %	Effectiveness %
Heating	0	32	19	40	28	64	72
	0	32	30	65	40	59	66
	-25	-13	18	37	30	55	73
	35	95					

Specifications (continued)

VNT5070E1000 Ventilation Performance

External Static Pressure		Net Supply Air Flow		Gross Air Flow			
				Supply		Exhaust	
Pa	in. W.C.	L/s	CFM	L/s	CFM	L/s	CFM
25	0.1	49	105	49	105	46	97
50	0.2	46	97	47	99	41	86
75	0.3	44	92	44	93	41	86
100	0.4	37	80	38	81	34	73
125	0.5	34	73	35	74	29	63
150	0.6	29	62	29	63	25	52
175	0.7	23	48	23	49	18	37
200	0.8	22	46	22	47	10	20



VNT5070E1000 Energy Performance

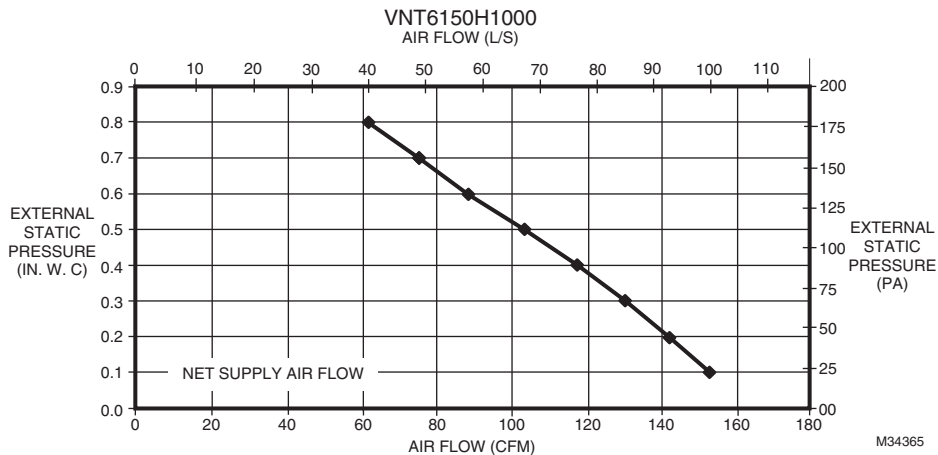
	Supply Temperature		Net Supply Air Flow		Average Power	Sensible Recovery	Apparent Sensible
	°C	°F	L/s	CFM	Watts	Efficiency %	Effectiveness %
Heating	0	32	20	41	30	65	74
	0	32	30	64	36	64	71
	-15	5	16	35	27	54	80
	35	95	19	41	30		
	35	95					

Total Recovery Efficiency = 43%

Specifications (continued)

VNT6150H1000 Ventilation Performance

External Static Pressure		Net Supply Air Flow		Gross Air Flow			
				Supply		Exhaust	
Pa	in. W.C.	L/s	CFM	L/s	CFM	L/s	CFM
25	0.1	72	153	72	153	67	142
50	0.2	67	142	68	143	61	129
75	0.3	61	130	62	130	55	116
100	0.4	55	117	55	118	47	101
125	0.5	49	103	49	103	41	87
150	0.6	42	88	42	89	34	73
175	0.7	35	75	35	75	27	59
200	0.8	28	61	28	61	22	46



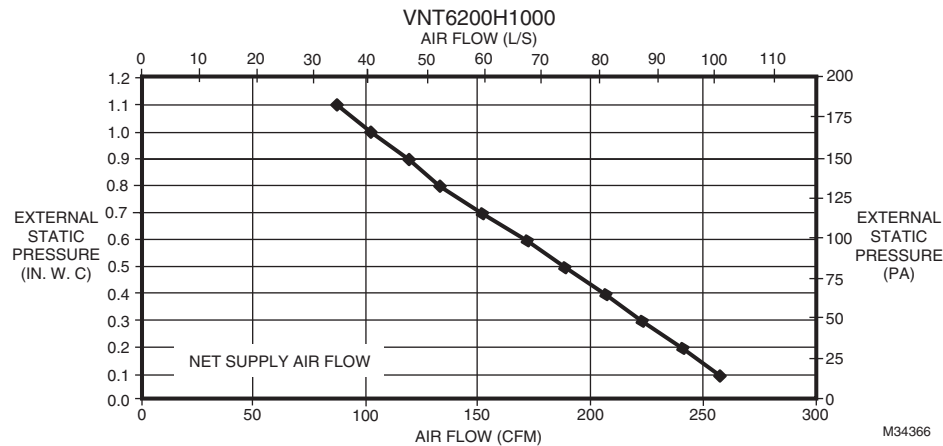
VNT6150H1000 Energy Performance

	Supply Temperature		Net Supply Air Flow		Average Power	Sensible Recovery	Apparent Sensible
	°C	°F	L/s	CFM	Watts	Efficiency %	Effectiveness %
Heating	0	32	31	66	52	75	84
	0	32	40	84	64	73	80
	0	32	50	106	74	70	77
	-25	-13	32	68	49	62	81

Specifications (continued)

VNT6200H1000 Ventilation Performance

External Static Pressure		Net Supply Air Flow		Gross Air Flow			
				Supply		Exhaust	
Pa	in. W.C.	L/s	CFM	L/s	CFM	L/s	CFM
25	0.1	122	258	126	260	120	254
50	0.2	114	241	115	242	111	235
75	0.3	105	223	106	225	103	218
100	0.4	98	207	99	209	94	199
125	0.5	89	189	90	190	85	180
150	0.6	81	172	82	174	76	161
175	0.7	72	152	73	154	67	142
200	0.8	63	133	64	135	58	123
225	0.9	56	119	57	121	50	106
250	1.0	48	102	48	102	42	89
275	1.1	41	87	42	88	35	74



VNT6200H1000 Energy Performance

	Supply Temperature		Net Supply Air Flow		Average Power	Sensible Recovery	Apparent Sensible
	°C	°F	L/s	CFM	Watts	Efficiency %	Effectiveness %
Heating	0	32	29	61	62	78	90
	0	32	43	91	74	76	85
	0	32	60	127	92	73	80
	-25	-13	31	66	59	66	88

External Control Options

The ERV/HRV unit may be used with one of the following external controls:



Prestige™ (YTHX9321R5079) and Prestige™ IAQ Comfort System (YTHX9421R5069)

- Controls both heating/cooling and ventilation.
- Wireless sensor for displaying outdoor temperature and humidity.
- Advanced ventilation programming includes economizing and extreme condition shutdown.
- Maintenance and service reminders.
- High definition color display.



VisionPRO (TH8321U1097) and VisionPRO IAQ Total Comfort System (YTH9421C1010)

- Controls both heating/cooling and ventilation.
- Sensor included for displaying outdoor temperature.
- Intuitive user interface for easy 7-day temperature programming.
- Easy-to-read backlit digital display.
- Maintenance and service reminders.
- Controls other indoor air quality equipment.



TrueIAQ Digital Control (DG115EZIAQ)

- Automatic adjustments maintain fresh air in home.
- Sensor for displaying outdoor temperature and humidity.
- Advanced ventilation programming includes economizing and extreme condition shutdown.
- Maintenance and service reminders.
- Controls other indoor air quality equipment.



Manual Dehumidistat (H8908DSPST) and Automatic Ventilation Controls (W8150A1001)

- Manual humidity control with intuitive comfort settings.
- Automatic W8150 ventilation control to ASHRAE standard, or for continuous operation.



Boost Control Digital Timer (50053952-020)

- Ventilation boost control for 20/40/60 minutes.



Wireless Vent Boost Remote (HVC20A1000)

- 20/40/60 minute ventilation timer
- Works with RedLINK 2.0 thermostats

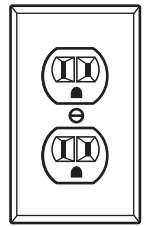
Install to Fit Your Application

NOTE: Prior to installing, serious consideration must be taken to insure this ventilation system will operate properly if integrated with any other type of mechanical system, i.e. a forced air system, or an air handling unit. To insure proper operation & compatibilities of both system, it is required that the airflows of ventilation systems be balanced, by following the procedures found in this manual.

Limitations: The product is for residential applications only. Must be installed in accordance with all national and local regulations, building and safety codes. Flex duct is recommended for connecting to the ERV/HRV collars to reduce vibration noise.

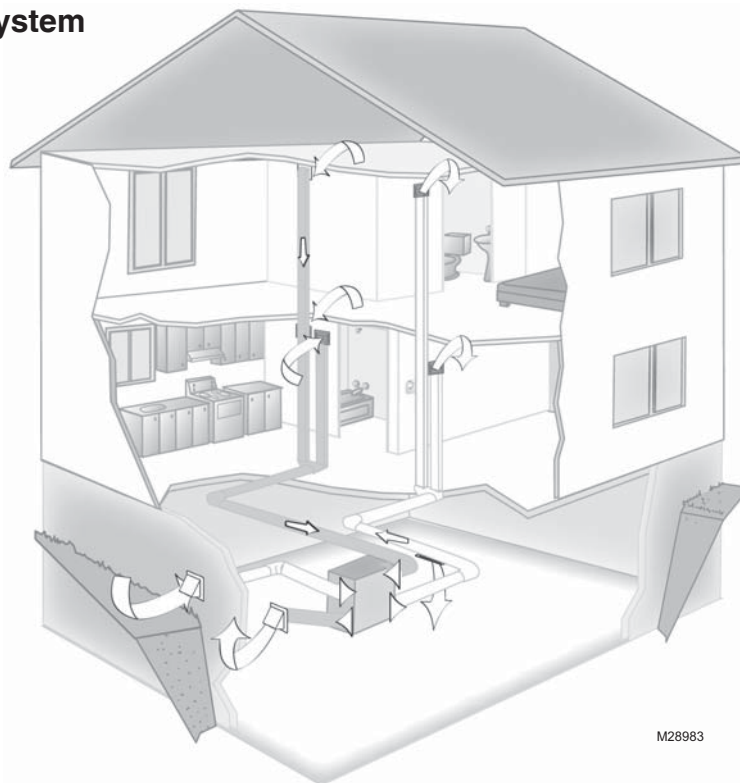
Electrical Requirements:

120 VAC outlet. Ground fault interrupter (GFI) and dedicated circuit recommended.



M24745

A Independent System



M28983

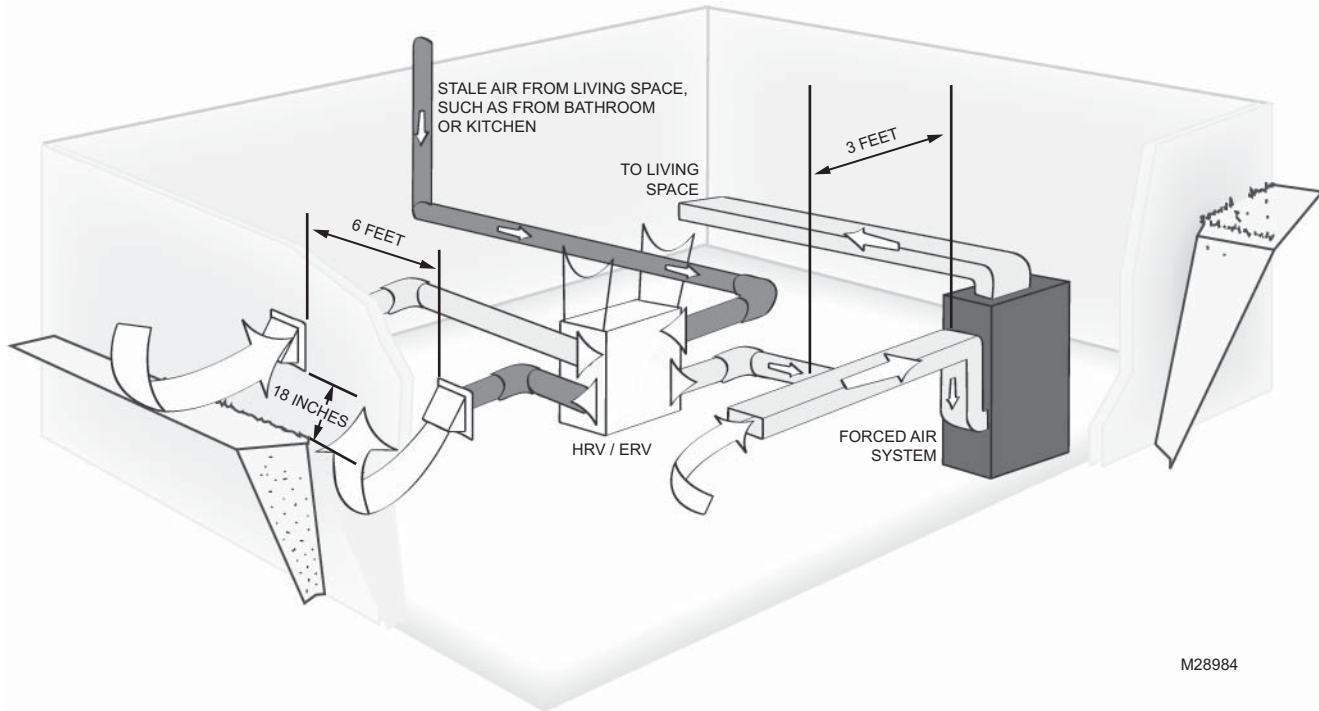
This application uses a devoted duct system for the supply and the exhausting of stale air accumulated in the home.

Honeywell recommends installing fresh air grilles in all bedrooms and living areas and to exhaust the stale air from the bathroom, kitchen, and laundry room.

Install to Fit Your Application (continued)

B

Exhaust at the Source and Supply in the Return



This application uses a devoted duct system for the exhausting of stale air accumulated in the home. The fresh air is introduced into the return air duct and is distributed through the home by the existing supply air ductwork of the forced air system.

Make sure when using this application that your fresh air duct connection to the forced air system return air duct is at least 3 feet from the forced air system. You should check with your local code or the forced air system's manufacturer.

The forced air system's blower does not have to run when the unit is operating, but is recommended for maximum effectiveness.

NOTE: For the minimum distance between the fresh air connection and the forced air system, check with your local building codes and forced air system manufacturer.

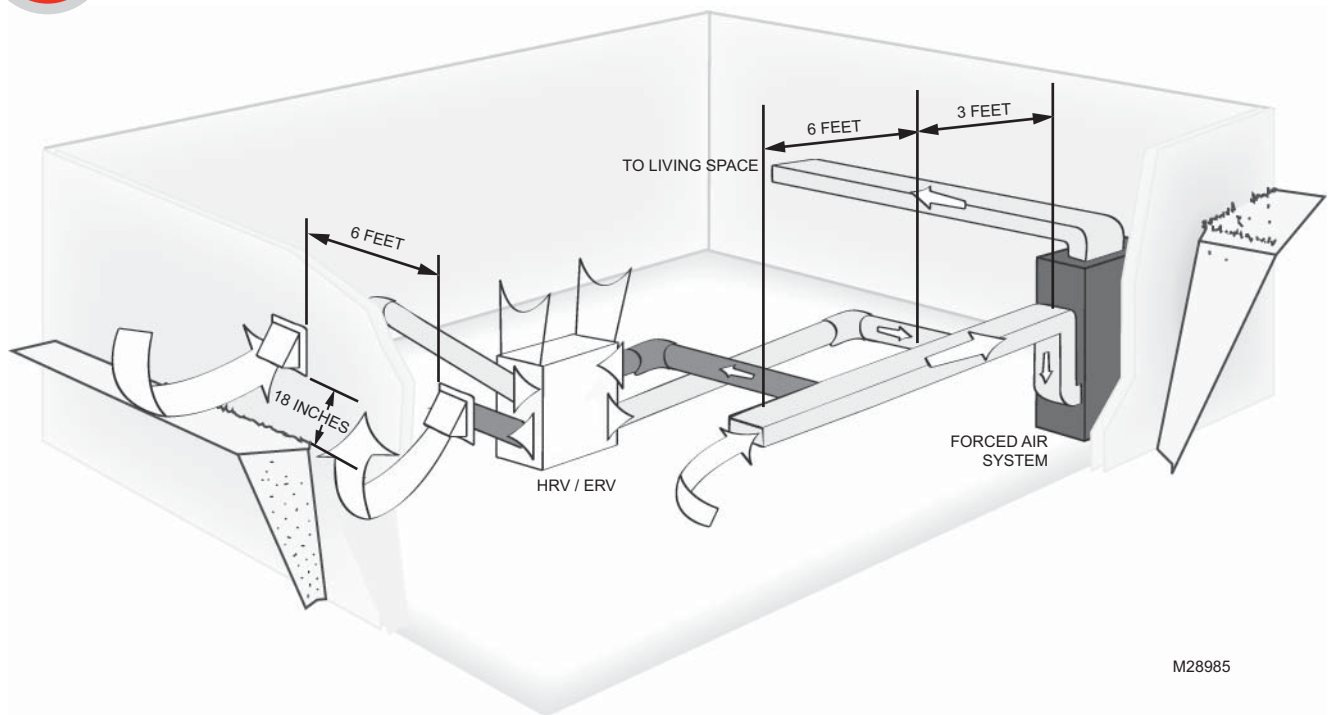
NOTE: For dwellings with multiple forced air systems, Honeywell recommends one ERV/HRV unit per system.

NOTE: Refer to the Wiring section (beginning on page 24) for instructions to connect the unit to operate the forced air system with the ERV/HRV unit.

Install to Fit Your Application (continued)



Exhaust and Supply in the Return



When using this application make sure that there is a minimum of 6 feet between the fresh air and exhaust air connections of the ERV/HRV unit in the return air duct. Supply air from the ERV/HRV unit must be at least 3 feet from the forced air system. These distances can be different from one region to another; you should check with your local code or the forced air system's manufacturer.

NOTE: For minimum distance between return and forced air system, check with your local building codes and forced air system manufacturer.

NOTE: Fresh air must always be down-stream from the exhaust air in the return air duct of the forced air system.

NOTE: Furnace blower is required to operate when ventilation is required. Set the furnace blower to run continuously, or interlock electrically (low voltage).

Installation Steps

1

Installation Kit

Ensure that you have all of the following installation items:

4 Round Duct Collars (VNT5150, VNT5200, VNT6150 & VNT6200)



4 Oval Duct Collars (VNT5070)



Installation Kit:

- 2 Flexible 6 in. Vinyl Ducts (VNT5150, VNT5200, VNT6150, VNT6200)
- 1 Condensation Drain Line (10 in.)
- 1 Drain Adapter with Nut
- 4 Tie Wraps (30 in.)
- 16 Hex-head screws (1/4 x 5/8 in.)
- 4 Hex-head screws (1/4 x 1 in.)
- 4 Washers
- 1 Drain cap (VNT5070E1000, VNT5150E1000 and VNT5200E1000 only)
- 1 power cord, 120 Vac (not shown)



2

Installation Area

The ERV/HRV unit should be installed in a mechanical room or as close to an outside wall as possible.

The ERV/HRV unit must always be installed in an area where the air is conditioned to avoid freezing the condensate line.

The contractor should install the unit in an area that allows the homeowner easy access for maintenance. It is very important to install an electric receptacle (120 Vac) near the unit, a separate circuit breaker is also recommended. It is best to have access to a condensate drain near the ERV/HRV unit to avoid having to use a condensate pump.

NOTE: Installation is not recommended in unconditioned areas such as an attic or crawl space where the temperature can fall below 32 °F (0 °C).

NOTE: Ducting in unconditioned areas must be fully sealed and insulated.

Installation Steps (continued)

3a

Hanging the VNT5150, VNT5200, VNT6150 or VNT6200

The ERV/HRV unit enables you to save time and effort by offering a simplified hanging system.

TIP: Removing the core unit makes installation easier since the unit weighs less without the core inside.



1. Attach straps to joist using the supplied washers and four 1 in. hex-head hanging screws.



2. Pull on middle of strap while gently lifting unit upward to raise the unit.



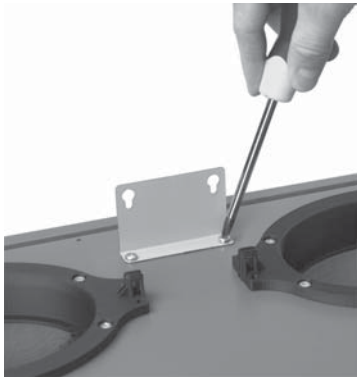
3. Make final adjustments to ensure that the HRV/ERV is level.

NOTE: If the unit is not level, improper drainage will occur and could lead to moisture and leakage problems.

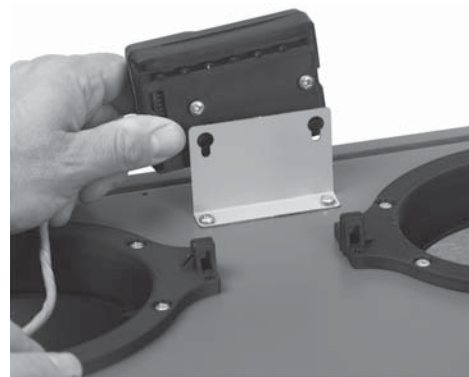
Installation Steps (continued)

3b

Mounting the VNT5070



1. Fix the control module bracket to the top of the VNT5070 using the supplied mounting screws.



2. Slide the control module onto the bracket using the key holes.



3. Fix the wall mount bracket to two 2x4s or to a precut sheet of plywood using the supplied mounting screws.



4. Hang the unit on the bracket.



5. Secure with two sheet metal screws.



NOTE: When these mounting steps are complete, resume normal installation procedures beginning on page 20, "Installing the flex duct to the ERV/HRV."

Installation Steps (continued)

4

Installing the flex duct to the ERV/HRV

TIP: Honeywell recommends using approximately 16 inches of flexible duct (supplied in kit with VNT5150, VNT5200, VNT6150 and VNT6200) between the unit and the rigid duct for noise dampening. The flex duct is mounted to the unit the same way as the insulated flex.



1. Insert the vinyl duct over the hooks on the duct collar and seal with a supplied 30 inch tie wrap.



2. Insert insulation inside the outer ring of the duct collar.



3. Finish by taping the duct on the collar.



- 4a. Slide collar onto unit (VNT5150, VNT5200, VNT6150 and VNT6200)

TIP: For the VNT5070 unit, balancing should be done before taping the insulation onto the collar. See balancing steps on page 30.



- 4b. Attach collar onto unit (VNT5070)

IMPORTANT: Always fix and secure each collar using four of the 5/8 in. screws supplied. This step is critical in order to prevent condensation accumulation.



5. Secure collar with the supplied 5/8 in. hex-head screws.

TIP: Attach the flex duct to the collar first, and then attach the collar to the unit.

Installation Steps (continued)

5

Installing the condensation drain line

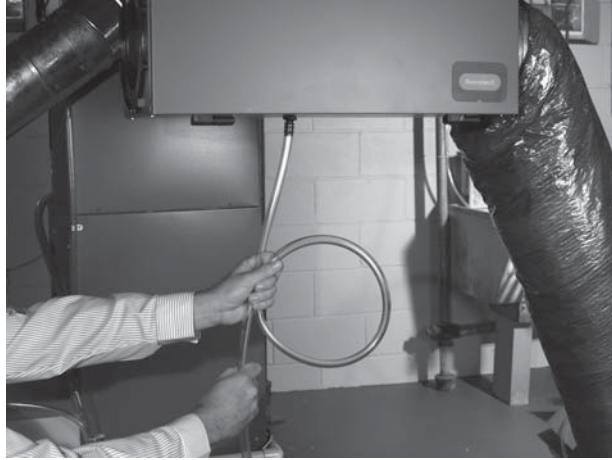
Insert the threaded drain adapter through the bottom of the unit and hand tighten the plastic nut supplied with the drain kit.

Use a wrench to tighten the nut another half turn to ensure a complete seal.

Install the condensate tubing by pushing the clear plastic tubing over the drain adapter.

Make a condensate trap by looping the clear plastic tubing. This loop will prevent foul odors from entering the unit.

Use a condensate pump if you don't have access to the floor drain.



Drainless Application

NOTE: If installing an ERV unit (VNT5150E1000, VNT5200E1000, VNT5070E1000) in a region where the outdoor temperature does not drop below freezing, the condensate drain line does not need to be installed and the unit may be installed as a drainless application.

1. Insert the threaded drain adapter through the bottom of the ERV with the drain connection inside of the unit as shown in the figure.
2. Fit the rubber washer over the drain adapter and then attach the plastic nut.
3. Hand tighten the plastic nut supplied with the drain kit.
4. Use a wrench to tighten the nut another half turn to ensure a complete seal.
5. Attach the drain cap to the drain adapter inside the unit.



Installation Steps (continued)

6

Connecting the power cord

ERV/HRV Power Cord

Insert the power cord on top of the unit. Press firmly to make sure the power cord is secure.

IMPORTANT: Do not plug the power cord into the wall receptacle at this time.

Electric Wall Outlet

Honeywell recommends that the unit has a dedicated receptacle with 120 VAC.

Avoid connecting the unit to the wall receptacle with an extension cord.

Honeywell does not recommend the use of an extension cord.

Ensure that the receptacle's polarization is correct.



NOTE: If the LED light on the ERV/HRV control panel remains green, the motors do not energize, and the controls do not operate; this can indicate that the polarization in the main AC outlet is inverted.

IMPORTANT: Always consult a qualified technician to ensure proper installation of main power.

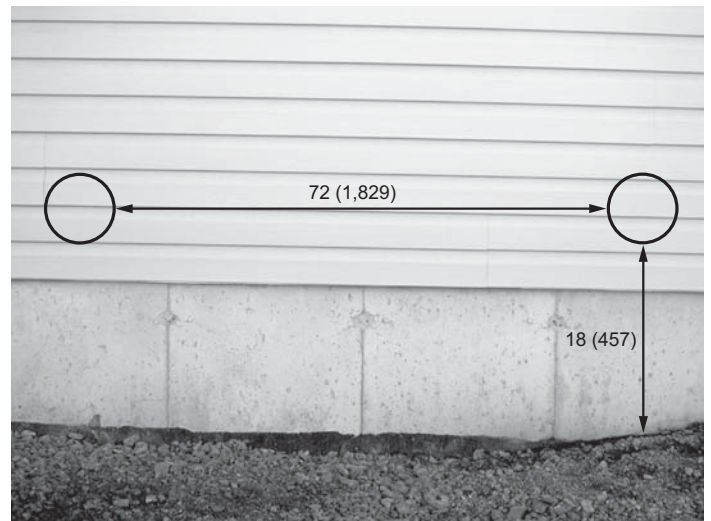
7a

Installing outside hoods for the fresh air and the exhaust

Locate the outside hoods at least 18 inches (0.46 m) above grade and at least 72 inches (1.83 m) apart.

NOTE: Do not locate the fresh air vent hood close to known sources of pollutants such as dryer vents.

IMPORTANT: Always consult your local code for spacing requirements in your area.



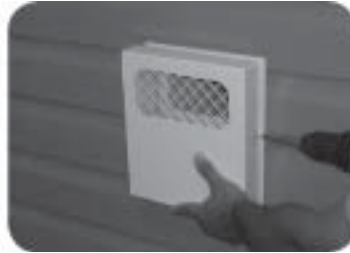
M32372

Installation Steps (continued)

7b

Optional Matrix hood (50063805-009) installation for fresh air and exhaust air

NOTE: Only for applications up to 115 CFM maximum speed. Higher airflow rates are limited by higher static pressures and the potential of cross-contamination between the supply and exhaust air streams. The Matrix hood design is suitable for smaller spaces commonly found in town homes and condominiums which require less airflow rates.



See Matrix hood literature for step-by-step instructions.

Automated Defrost

The ERV and HRV units are equipped with an automatic defrost feature to eliminate any ice build up on the core.

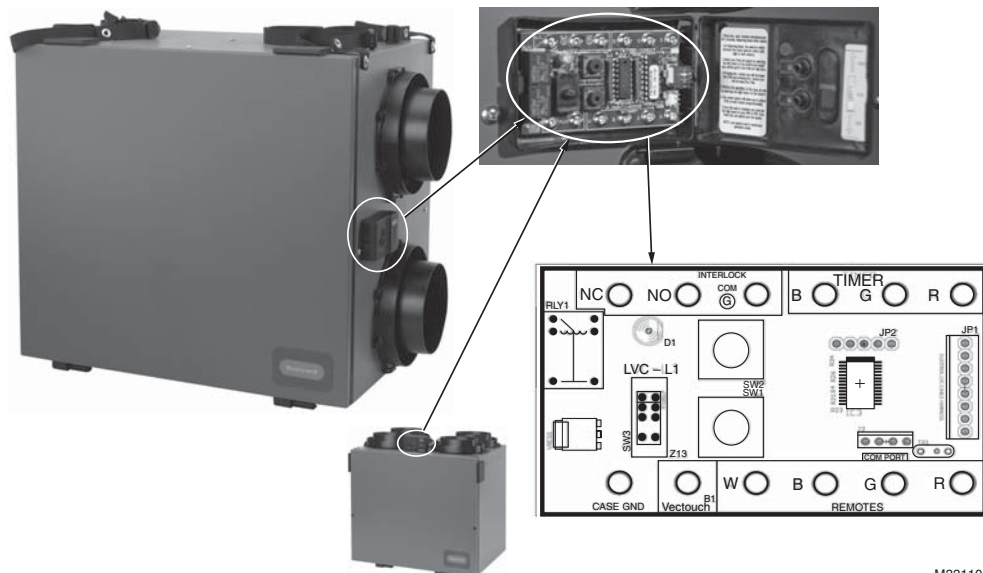
- Automatic defrost is initiated once every hour when the fresh air supply temperature drops to 23°F (-5°C) or colder.
- The defrost cycle operates by turning off the supply fan while continuing to operate the exhaust fan.
- The exhaust fan speed is adjusted proportionally based on the outdoor temperature, initially operating at low speed.
- As the outdoor temperature continues to drop, the exhaust fan speed will increase, and will operate at maximum speed when the outdoor temperature is -4°F (-20°C) or less.
- The VNT5070 Series HRV/ERV defrost cycle runs for 5 minutes with the supply fan off followed by 35 minutes of continuous normal operation.
- The VNT5150 Series HRV/ERV defrost cycle runs for 5 minutes with the supply fan off followed by 35 minutes of continuous normal operation.
- The VNT5200 Series HRV/ERV defrost cycle runs for 4 minutes with the supply fan off followed by 40 minutes of continuous normal operation.
- VNT6150H1000 and 6200H1000 HRV cycle runs for 8 minutes with the supply fan off followed by 32 minutes of continuous normal operation.
- Defrost cycles will continue to repeat as long as the temperature is 23°F (-5°C) or less.

Wiring



CAUTION: Voltage hazard.
Can cause equipment damage.
Disconnect power from the unit before beginning installation.

Terminal Description



The wiring terminal block is located behind the control module door on the side of the unit.

To access the terminal block, open the control panel door by swinging it open and to the right as shown above.

Wiring (continued)

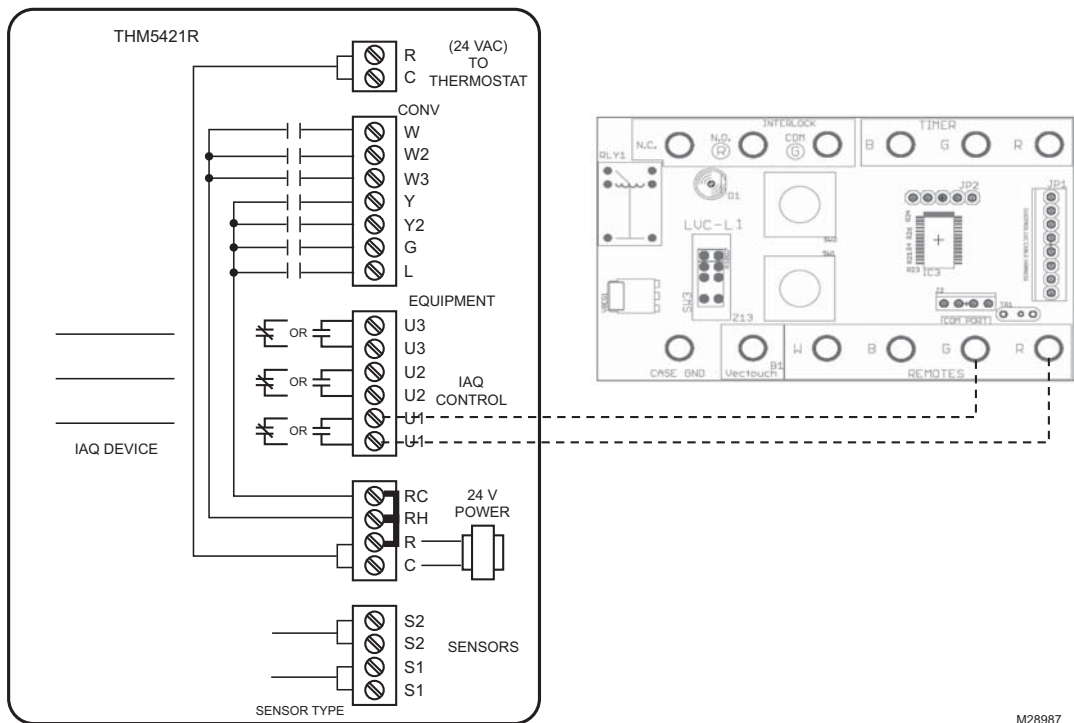
Wiring with Remote Controls

CONT mode - Ventilator runs continuously on low speed. A ventilation call from a control boosts the ventilator into high speed.

INT mode - The ventilator is OFF until a ventilation call from a wall control turns it on in high speed..

Controls Wiring

Follow this diagram if using a **Prestige™ 2-wire IAQ and RF EIM.**

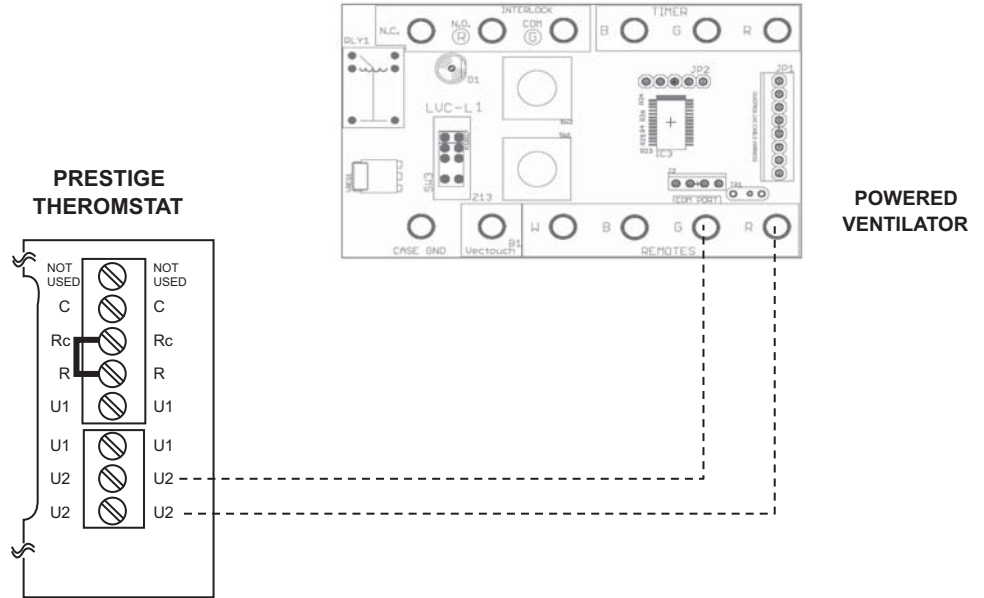


M28987

TIP: Combine Prestige 2.0 thermostat with wireless vent boost remote to provide ventilation boost control from anywhere in the home.

Wiring (continued)

Follow this diagram if using a **Prestige™ Thermostat** (Interlock not shown).



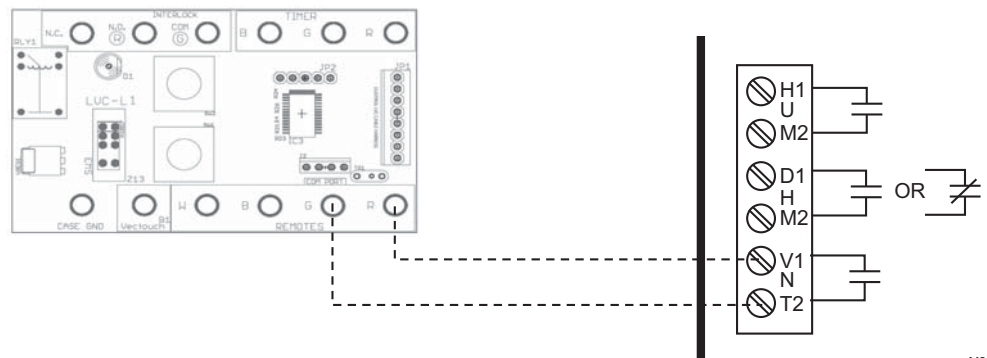
U1/U1 Configurable IAQ relay for humidifier, dehumidifier, or vent
U2/U2 Configurable IAQ relay for humidifier, dehumidifier, or vent

M28988

TIP: Combine Prestige 2.0 thermostat with wireless vent boost remote to provide ventilation boost control from anywhere in the home.

VisionPRO IAQ Equipment Interface Module

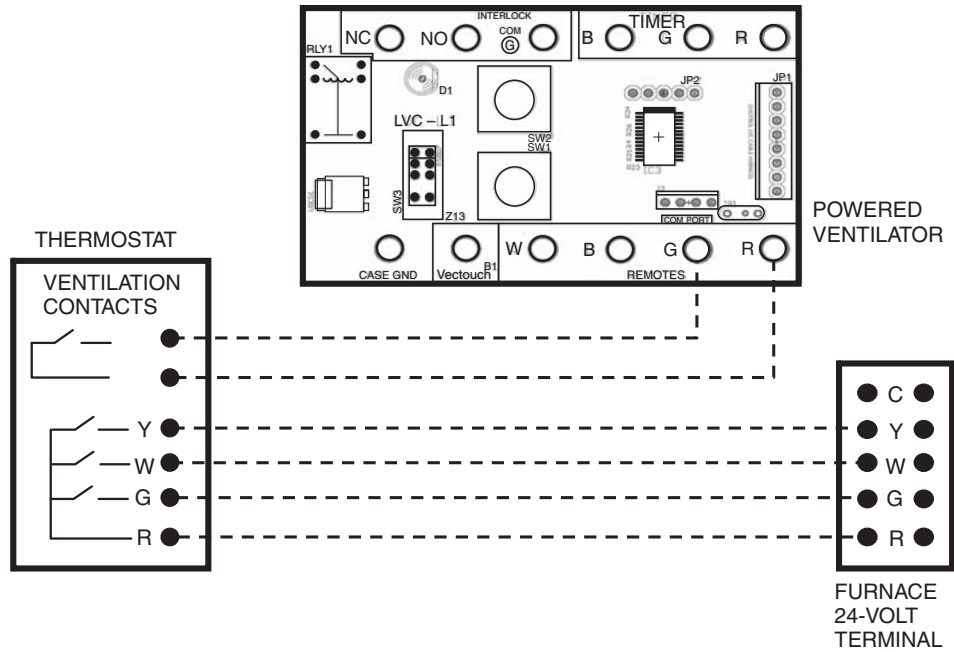
Follow this diagram if using a **VisionPRO IAQ**.



M28989

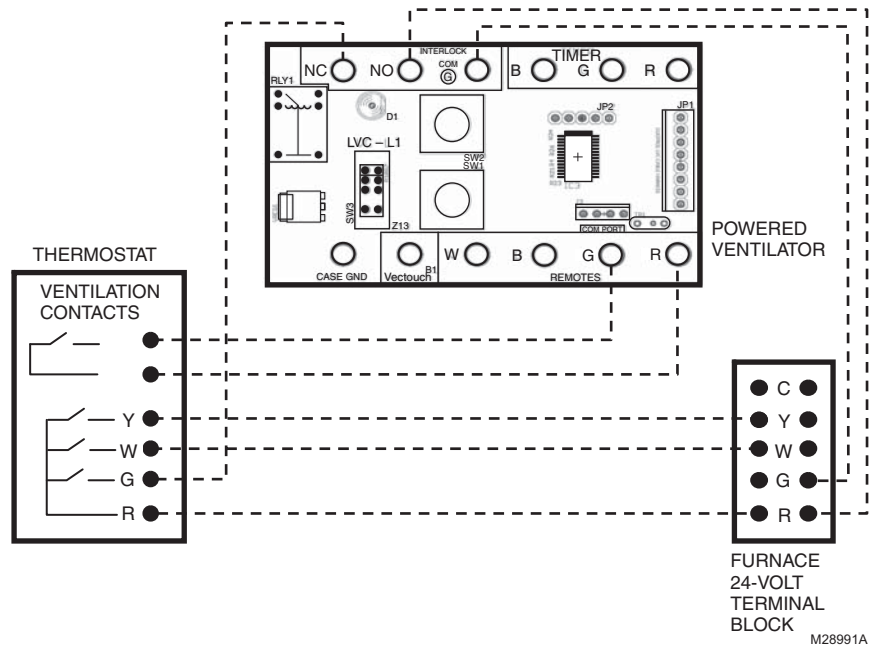
Wiring (continued)

Follow this diagram for **General Ventilator Wiring (not interlocked with equipment fan)**



ERV/HRV is used in conjunction with a conventional HEAT/COOL thermostat or other wall control.

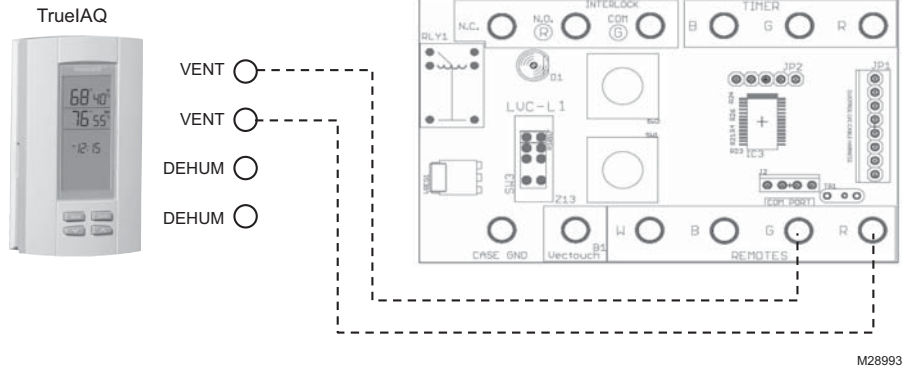
Follow this diagram for **General Ventilator Wiring Interlock Wiring with Equipment Fan**



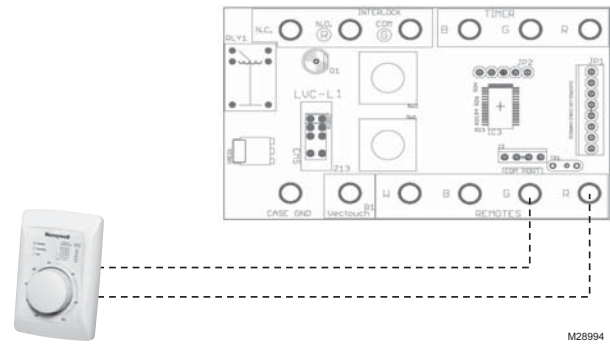
ERV/HRV is interlocked with the forced air system and is used in conjunction with a conventional HEAT/COOL thermostat with ventilation contacts or other wall control.

Wiring (continued)

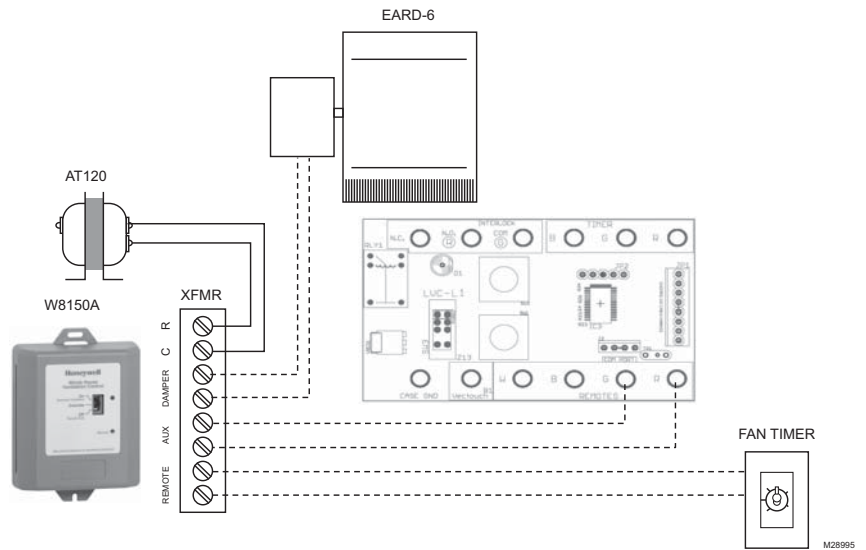
Follow this diagram if using a **TrueIAQ (DG115EЗИQ)**.



Follow this diagram if using a **Dehumidistat**.



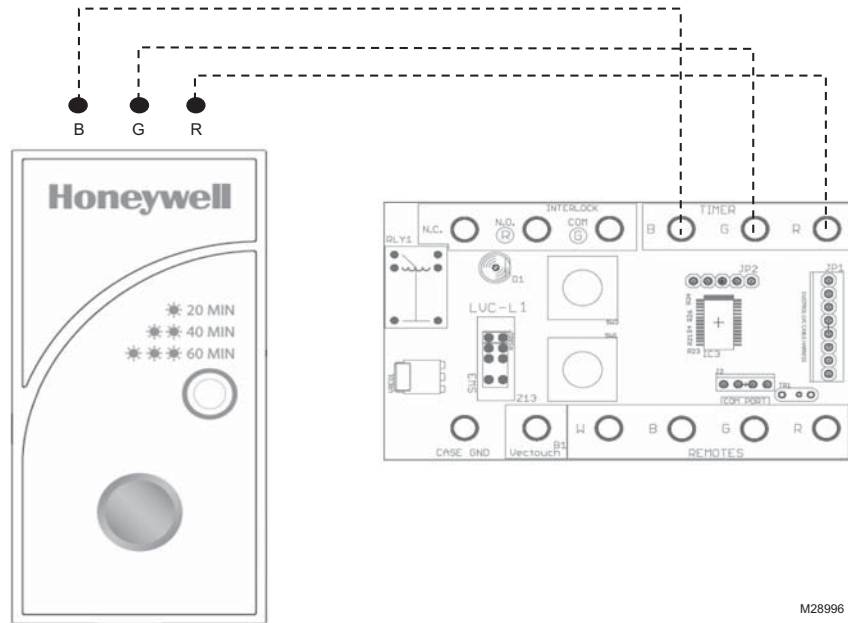
Follow this diagram if using a **W8150 Ventilation Control**



Wiring (continued)

Follow this diagram if using the **Honeywell 20/40/60 Minute Boost Control Timer**.

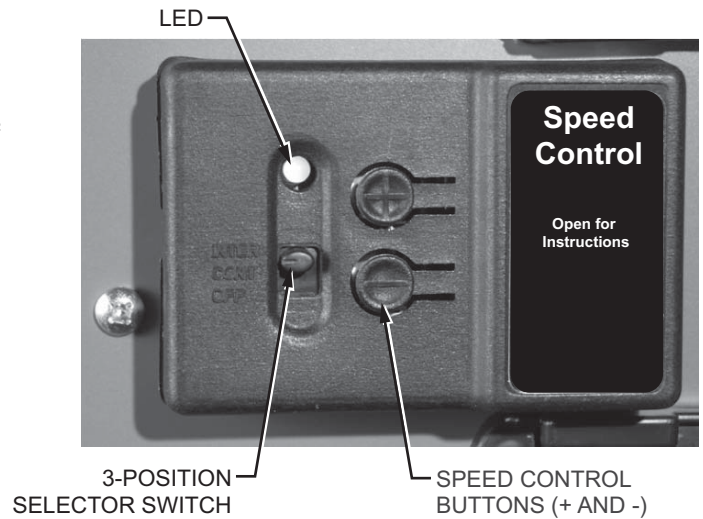
Note: Multiple timers can be wired in parallel.



Control Panel

The control panel has a 3-position selector switch and “+” and “-” buttons for speed control. The color of the LED indicator indicates the current function of the selector switch.

- GREEN LED = Mode Control (normal operating mode)
- YELLOW LED = Balancing Control



Control Panel (continued)

Speed Control used as a Mode Control

When the LED indicator is green, the selector switch functions as a Mode Selector. The selections are:

- **INTER (Intermittent):** When the selector switch is in the intermittent position the unit will run only when there is a call for ventilation by any external control. At that time the unit will run on high speed until the condition is satisfied.
- **CONT (Continuous):** When the selector switch is in the continuous position the unit will run continuously on low speed except when there is a call for override by any control.
- **OFF:** When the selector switch is in the off position the unit will not operate even when there's a call for ventilation by an external control.
- **(+) and (-) buttons:** Used to adjust the continuous speed setting.

Speed Control used as a Balancing Control

In balancing mode the LED indicator is yellow, and the selector switch functions as a Balancing Control to set the high speed of the motors for balancing purposes (Fresh air, Exhaust air, and Both motors). The selections are:

- **INTER:** Selects the exhaust air motor.
- **CONT:** Selects both exhaust and fresh air motors.
- **OFF:** Selects the fresh air motor.

NOTE: Continuous low speed is 50% of the set high speed.

NOTE: See Balancing Steps below.

Speed Control used as a Motor Control

- **+ Button:** Increase the speed of the selected motor.
- **- Button:** Decrease the speed of the selected motor.

NOTE: See Balancing Steps below..

Balancing Steps

NOTE: Perform the balancing steps with the HVAC equipment fan turned ON if the ERV/HRV unit is ducted into an HVAC system.

1

- a. Ensure that the speed control selector switch is in either the INTER or CONT position.
- b. Press the (+) and (-) buttons simultaneously for 5 seconds until the LED indicator light turns yellow, which indicates that you are in balancing mode.

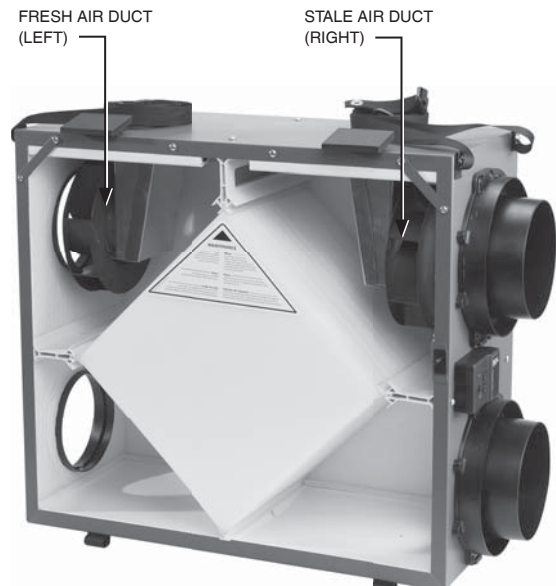
When in balancing mode, the selector switch becomes the motor selector switch. The switch positions become: INTER = Right motor (exhaust air), CONT = Both motors, and OFF = Left motor (fresh air).

Balancing Steps (continued)

2

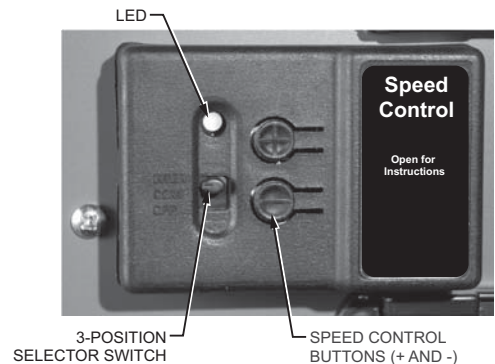
- Use a pitot tube or flow station to measure the air flow in the fresh air duct and exhaust air duct. (For the VNT5070, make airflow measurements by following the procedure on page 30.)
- Move the mode selector switch to adjust the air flow in the duct with the higher reading.
INTER: Exhaust air (right)
OFF: Fresh air (left)
- Press the (+) or (-) buttons to adjust the air flow to the desired high speed setting.
- Move the mode selector switch to the CONT position (to proportionally adjust the speed of both motors at the same time).

NOTE: For airflow measurements on VNT5070, follow the procedure on page 32.



3

- Press the (+) and (-) buttons simultaneously to exit balancing mode .
- Indicator light turns green.
- Continuous speed will be 50% of measured CFM.

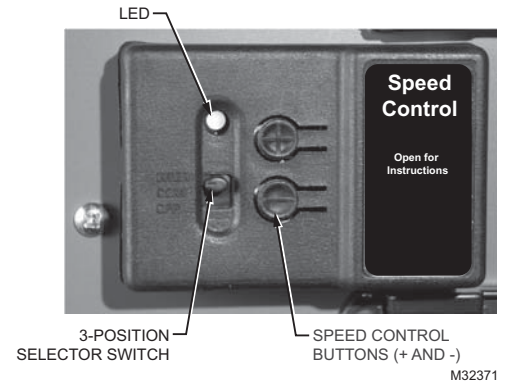


Balancing Reset

NOTE: Once balancing is completed, balancing cannot be changed without resetting the unit.

To reset:

1. Press the (+) and (-) buttons simultaneously for 10 seconds.
2. Indicator light will turn yellow at 5 seconds.
3. Indicator light will turn green at 10 seconds.
4. Release both buttons.
5. Unit has been reset and can be put into balancing mode again.



Checkout

- Apply power to the unit. Move the selector switch to the CONT position to verify that the unit turns on in continuous speed.
- Initiate a ventilation call from each of the external controls. Verify that the ERV/HRV unit turns on in high speed.
- Return the selector switch to the desired position and the external controls to the desired settings.
- Inspect the ducting to ensure that there are no kinks and correct as necessary.

Airflow Measurements - VNT5070 only

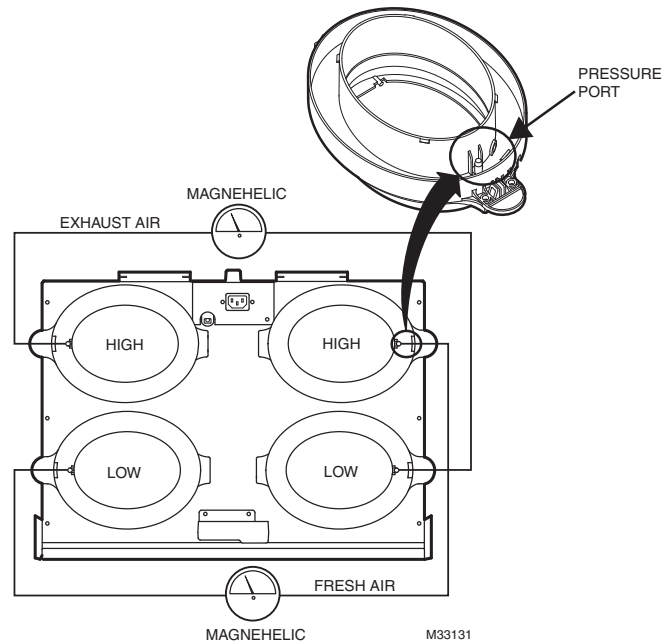
The VNT5070 ventilators are balanced by utilizing pressure ports located on the duct collars and a pressure-airflow correlation table provided as a decal on the side of the unit.

NOTE: The VNT5150, VNT5200, VNT6150 & VNT6200 ventilators are not provided with pressure ports or correlation charts. Instead, they are balanced by using air flow grids or pitot tubes which measure airflow directly in each airstream.

Pressure-airflow correlation table:

Pressure Differential		Fresh Air		Exhaust Air	
Pa	in. W.C.	L/s	CFM	L/s	CFM
50	0.20	44	93	43	90
62	0.25	41	87	40	85
75	0.30	39	83	37	79
87	0.35	37	79	36	77
100	0.40	35	74	36	76
112	0.45	33	69	34	71
125	0.50	30	65	32	67
137	0.55	29	61	28	60
150	0.60	26	56	24	51
162	0.65	24	50	22	47
175	0.70	22	46	19	41
187	0.75	19	41	17	36
199	0.80	17	36	15	31

Airflow Measurements - VNT5070 only (continued)



1

Pre & Post Balancing Steps

- Install the flexible duct inner liner (vapor barrier) over the collar and seal with tape, mastic, etc. Note-flexible insulation should be pulled back and away from the duct collar to allow access to pressure ports.
- Proceed with balancing steps described below.
- Plug the pressure ports.
- Pull flexible duct insulation over duct collar and stuff inside the double collar; seal insulation to duct collar with tape.

2

Balancing Steps

- Measure pressure differential across the EXHAUST air stream high and low ports using a Magnehelic gauge or other pressure gauge.
- Measure pressure differential across the FRESH air stream high and low ports using a Magnehelic gauge or other pressure gauge.
- Look up corresponding air flows from the pressure-airflow correlation table.
- Adjust airflows to a balanced condition by adjusting blower motor speeds.
- Usually the blower with more airflow is adjusted to the lower blower airflow rate.
- Motor adjustments are described in previous section.

Maintenance

Quarterly or as Needed



Filters.

Four times per year or as needed, vacuum the filters. Replace filters as needed.

Annually or as Needed



Inside the Unit.

Once a year or as needed, clean the interior of the unit (walls and drain pan) with a mild and non-abrasive soap. It is recommended to use products that are environmentally-friendly.

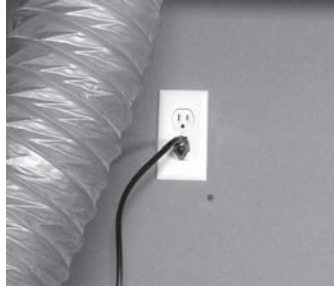
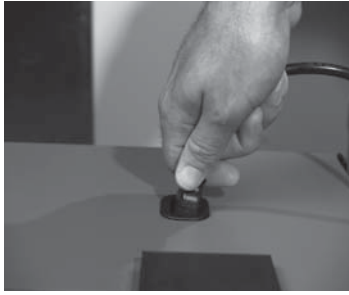


Energy Recovery Core Unit (VNT5070E1000, VNT5150E1000 and VNT5200E1000) and Heat Recovery Core Unit (VNT5070H1000, VNT5150H1000, VNT5200H1000, VNT6150H1000 and VNT6200H1000)

Once a year or as needed, vacuum the four surfaces, let soak in warm water and mild soap for 15 minutes, then spray rinse and let dry.

NOTE: See Cleaning Steps on next page for the above maintenance items.

Cleaning Steps



1. Disconnect the AC power from the unit or the wall.



2. Open the side door panel by opening the two latches on the top of the side panel and lowering the panel to its fully open position. Remove both filters from the top left and right sides of the Core, then vacuum both filters. Slide out the Core, and clean according to the instructions on the previous page.



3. Clean inside of unit with a damp cloth and wipe dry when finished.



4. Replace the Core and the two filters, re-latch the side panel, then reconnect the AC power to the unit.

Troubleshooting

CAUTION: Servicing the ERV/HRV unit with its electrical circuitry can cause personal injury. Always make sure that power to the unit is disconnected prior to making any connections. Failure to disconnect the power could result in electrical shock. Service should only be performed by a qualified service technician.



Problem	Possible Cause or Symptom	Test Procedure	Solution
<ul style="list-style-type: none"> No Power to Unit HRV/ERV does not turn on. Speed Control green LED light does not come on. 	<ul style="list-style-type: none"> Main power is not energized. HRV/ERV power cord not fully inserted. HRV/ERV or wall control in the OFF position. Poor contact between connections on high, low voltage and door switch. 	<ul style="list-style-type: none"> Check power connection, fuses or circuit breakers. Ensure power cord is firmly inserted. Ensure HRV/ERV and or wall controls are in the ON position. Remove all controls connection leading to unit. Continuity test of the units power cord. 	<ul style="list-style-type: none"> Consult certified technician to insure proper installation of main power. Remove and re-insert power cord firmly. Remove door and locate the area were the switch compresses the door sealant. Insert behind door sealant a metal edge or small screw to insure proper contact between door safety switch and access door. Un-plug HRV/ERV, remove access panel from motor mounts and press firmly on all connections. Replace AC power cord.
<ul style="list-style-type: none"> During motor selection on Speed Control while in balancing mode unit (shut off), goes to low speed) or into(INTER mode) once the (+ / -) buttons are pressed. 	<ul style="list-style-type: none"> Speed Control board not responding. Balancing mode has been locked. 	<ul style="list-style-type: none"> Un-plug unit for 30 seconds to re-boot. Reactivate balancing mode and select motor and press (+ / -) buttons. 	<ul style="list-style-type: none"> On the Speed Control press and hold both the (+ / -) buttons for 15 seconds or until you receive a solid green light. This will reset HRV/ERV back to factory default mode. <p>Note: Unit must be re-balanced to ensure maximum performance.</p>

Troubleshooting (continued)

Problem	Possible Cause or Symptom	Test Procedure	Solution
<ul style="list-style-type: none"> • HRV/ERV operating only on high speed, no communication between unit & wall controls. • HRV/ERV supply or exhaust fan runs only on high. 	<ul style="list-style-type: none"> • Dehumidistat of the wall controls activated. • T-3 Timer 20/40/60 mins. activated. • Short circuit between G & R terminals of REMOTES on Speed Control™. • Faulty wire between control and H/ERV. • Faulty wall control. 	<ul style="list-style-type: none"> • Disconnect all wall controls from unit • Ensure all other wall controls are not in override mode. • Inspect the wires to insure not damage. • Remove wall control and verify it at the H/ERV. 	<ul style="list-style-type: none"> • Ensure all wall controls and Speed Control wire connections correspond to their matching letters • Ensure no nails, staples or screws are shorting out the wires. • Replace LVC PCB board, wall control and wires.
<ul style="list-style-type: none"> • Motor not functioning. • Motor failure. 	<ul style="list-style-type: none"> • Failure to the HVC or LVC PCB board. • Wire connection or wire sequence not corresponding to wiring diagram. • Run capacitor failure 	<ul style="list-style-type: none"> • Resistance test: Unplug H/ERV unit and with a multimeter <ul style="list-style-type: none"> – Test the motor resistance (BLUE & BLACK wires) of the motor. The range should be between 33-39 Ohms – Then proceed to measure the resistance (BLUE & BROWN wires) the range should be between 56-64 Ohms • If resistance falls within the above ranges the motor is good. • If capacitor is swollen or disfigured, it is definitely bad. • Check amperage in leads going to capacitor when in operation. If capacitor is open, no amperage will flow. • Remove from circuit and check for short circuits or grounds (use ohmmeter only). 	<ul style="list-style-type: none"> • Replace the HVC or LVC Board • Correct faulty connection or wire sequence to correspond to the wiring diagram. • Replace the run capacitor and/or Motor
<ul style="list-style-type: none"> • Yellow blinking LED on speed controller. 	<ul style="list-style-type: none"> • Defrost Thermister not properly connected to HVC Controller • Defrost Thermister is defective 	<ul style="list-style-type: none"> • Ensure proper connection of thermister. • Remove access panel to expose HVC controller verify defrost thermister is connected to the “T2” terminal on HVC controller. • Unplug defrost thermister from HVC controller & check readings with Ohm meter. 	<ul style="list-style-type: none"> • If defrost thermister is not connected, please plug-in on HVC controller on the terminals marked “TEMP SENSOR”. • Connect the Ohm meter to red terminal and if receive no readings 0, replace defrost thermister.

Troubleshooting (continued)

Problem	Possible Cause or Symptom	Test Procedure	Solution
<ul style="list-style-type: none"> Exhaust Fan activated Supply Fan off. 	<ul style="list-style-type: none"> Wiring of fans incorrect on HVC Controller Unit is in its automatic defrost sequence when defrost thermister measures temperature of -5°C/23°F 	<ul style="list-style-type: none"> Unplug unit, remove access panel from Exhaust Fan (right motor mount) . Ensure all connections on HVC & LVC board correspond to wiring diagram and that they are securely in place. Wait 5 to 10 minutes to ensure unit has completed the defrost sequence. 	<ul style="list-style-type: none"> Ensure wiring corresponds to wiring diagram. Test the defrost thermister with Ohm meter. Insure unit completes the defrost sequence is temperature are below -5°C/23°F.
<ul style="list-style-type: none"> T-3 Timers not functioning, the LED remains on with a dim green light. T-3 Timers not functioning, display LED light doesn't appear. 	<ul style="list-style-type: none"> T-3 timer wires connections do not correspond to the Speed Control™. (G & B connections are inverted) HRV/ERV does not operate or respond. 	<ul style="list-style-type: none"> Disconnect all wall controls from unit. Override TIMER (R & G) connections of the Speed Control™. 	<ul style="list-style-type: none"> Ensure all wall controls wire connection correspond to the Speed Control™ connections. (Example: B B / G G / R R) (Ref: Wall Control Section of the Installation Guide.)
Air is too dry	Air is too dry		<ol style="list-style-type: none"> Increase humidity level on the dehumidistat. Switch ventilation mode from continuous to intermittent. Install a humidifier.
Air is too humid	Air is too humid		<ol style="list-style-type: none"> Reduce the humidity level on the controller. Make sure that the clothes dryer is vented to the outdoors. Wait for outside temperature to change. For example, it can be very humid at times in the summer. Verify balancing of the ERV/HRV unit (see Balancing Steps on page 30).

Honeywell OS and Parts List

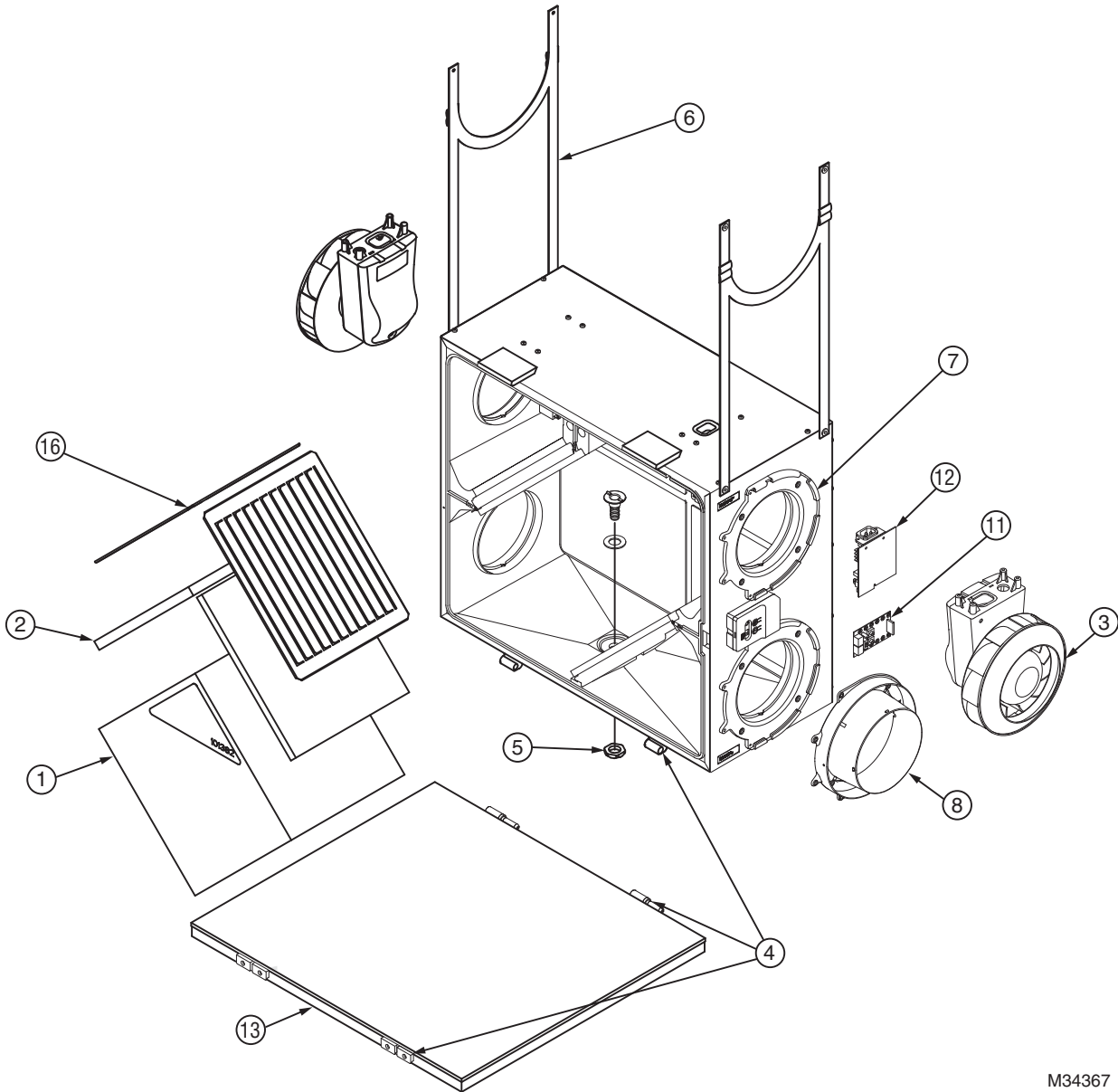
Honeywell OS List		
Honeywell OS Number	Controls	Ventilator Type
VNT5070H1000	No	HRV
VNT5070E1000	No	ERV
VNT5150H1000	No	HRV
VNT5150E1000	No	ERV
VNT5200H1000	No	HRV
VNT5200E1000	No	ERV
VNT6150H1000	No	HRV
VNT6200H1000	No	HRV

Parts List (see illustration on page 40 or page 41 for figure number references)						
Fig. No.	Description	VNT5070	VNT5150	VNT5200	VNT6150	VNT6200
1	Polypropylene HRV Core	50063805-001 9" Core	50053952-001 10" Core	50053952-002 15" Core	50053952-001 10" Core	50053952-002 15" Core
	Enthalpy ERV Core	50063805-002 9" Core	50053952-003 10" Core	50053952-004 15" Core	N/A	
2	Replacement Filter Kit	50063805-003	50053952-005	50053952-006	50053952-005	50053952-006
3	Replacement Motor	50063805-004	50053952-010		VNT6150XIMPEL1	50053952-010
4	Latch & Hinge Kit	N/A				
5	Condensation Drain Fitting Kit	N/A				
6	Adjustable Hanging Strap Set (optional on VNT5070)	N/A				
7	6" diameter Plastic Keeper	N/A				
8	6" diameter Plastic Double Collar	N/A				
9	5" diameter Plastic Keeper	50063805-006	N/A			
10	5" diameter Plastic Collar	50063805-005	N/A			
11	Replacement LVC Electronic Board (Speed Control)	50063805-010	50053952-012		VNT6150XLVCBD1	VNT6200XLVCBD1
12	Replacement HVC Electronic Board	50053952-013				
13	Front Access Door	50063805-007	50053952-015			
14	Mounting Bracket	50063805-008	N/A			
15	Matrix Ventilation Hood	50063805-009	N/A			
16	Aluminum Distribution Plates	N/A			VNT6150XALPLT1	VNT6200XALPLT1

Parts List (not illustrated)	
Honeywell Part Number	Description
50053952-020	20/40/60 Minute Timer (compatible with all HRVs & ERVs)

Parts Illustration (VNT5150, VNT5200, VNT6150 & VNT6200)

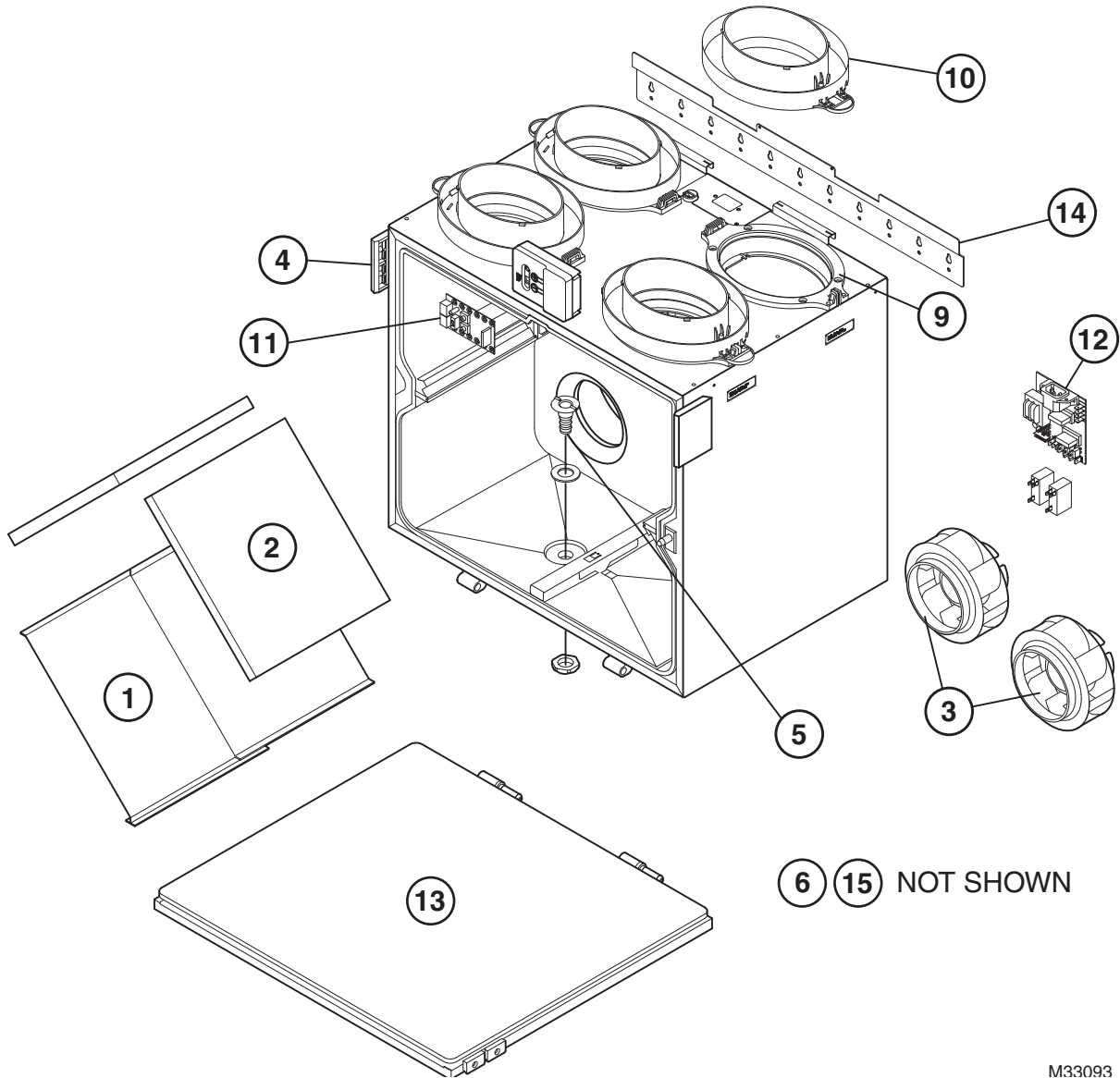
See the Parts List table on page 39 for items referenced by figure numbers 1 through 16 in the exploded illustration below.



M34367

Parts Illustration (VNT5070)

See the Parts List table on page 39 for items referenced by figure numbers 1 through 11 in the exploded illustration below (VNT5150 and VNT5200).



M33093

5-Year Limited Warranty

Honeywell warrants this product to be free from defects in the workmanship or materials, under normal use and service, for a period of five (5) years from the date of purchase by the consumer. If at any time during the warranty period the product is determined to be defective or malfunctions, Honeywell shall repair or replace it (at Honeywell's option).

If the product is defective,

- (i) return it, with a bill of sale or other dated proof of purchase, to the place from which you purchased it; or
- (ii) call Honeywell Customer Care at 1-800-468-1502. Customer Care will make the determination whether the product should be returned to the following address: Honeywell Return Goods, Dock 4 MN10-3860, 1885 Douglas Dr. N., Golden Valley, MN 55422, or whether a replacement product can be sent to you.

This warranty does not cover removal or reinstallation costs. This warranty shall not apply if it is shown by Honeywell that the defect or malfunction was caused by damage which occurred while the product was in the possession of a consumer.

Honeywell's sole responsibility shall be to repair or replace the product within the terms stated above. HONEYWELL SHALL NOT BE LIABLE FOR ANY LOSS OR DAMAGE OF ANY KIND, INCLUDING ANY INCIDENTAL OR CONSEQUENTIAL DAMAGES RESULTING, DIRECTLY OR INDIRECTLY, FROM ANY BREACH OF ANY WARRANTY, EXPRESS OR IMPLIED, OR ANY OTHER FAILURE OF THIS PRODUCT. Some states do not allow the exclusion or limitation of incidental or consequential damages, so this limitation may not apply to you.

THIS WARRANTY IS THE ONLY EXPRESS WARRANTY HONEYWELL MAKES ON THIS PRODUCT. THE DURATION OF ANY IMPLIED WARRANTIES, INCLUDING THE WARRANTIES OF MERCHANTABILITY AND FITNESS FOR A PARTICULAR PURPOSE, IS HEREBY LIMITED TO THE FIVE-YEAR DURATION OF THIS WARRANTY. Some states do not allow limitations on how long an implied warranty lasts, so the above limitation may not apply to you.

This warranty gives you specific legal rights, and you may have other rights which vary from state to state.

If you have any questions concerning this warranty, please write Honeywell Customer Relations, 1985 Douglas Drive, Golden Valley, MN 55422 or call 1-800-468-1502.

Automation and Control Solutions

Honeywell International Inc.
1985 Douglas Drive North
Golden Valley, MN 55422

<http://yourhome.honeywell.com>

The Honeywell logo is displayed in a bold, red, sans-serif font.

© U.S. Registered Trademark.
© 2015 Honeywell International Inc.
69-2480EF—13 L.L. Rev. 03-15
Printed in United States.

Systèmes de ventilation équilibrée VRE/VRC TrueFRESH™

À PROPOS DU SYSTÈME DE VENTILATION VRE/VRC	ENTRETIEN
Avantages..... 44	Entretien 75
Évaluez vos besoins en matière de ventilation..... 45	Nettoyage 76
Caractéristiques..... 46	Dépannage 77
Commandes externes en option..... 55	Liste des modèles et des pièces Honeywell..... 80
	Illustration des pièces (VNT5150, VNT5200, VNT6150 et VNT6200) 81
	Illustration des pièces (VNT5070) 82
INSTALLATION	GARANTIE
Installation selon votre utilisation..... 56	Garantie limitée de 5 ans..... 85
Procédure d'installation 59	
Dégivrage automatique 66	
Câblage 66	
Description du bornier 66	
Câblage pour un fonctionnement avec commande à distance 67	
Câblage des commandes à distance 67	
Panneau de commande 71	
Procédure d'équilibrage..... 72	
Réinitialisation : 73	
Vérification 73	

- Avant l'installation, plusieurs éléments doivent être pris en compte afin de s'assurer que ce système de ventilation fonctionne adéquatement s'il est intégré à tout autre type de système mécanique (comme un système à air pulsé ou tout autre appareil de traitement de l'air). Pour assurer le fonctionnement adéquat et la compatibilité des deux systèmes, le débit d'air (prise d'air et sortie d'air) de l'unité doit être équilibré selon les consignes incluses dans le présent manuel.
- Installez l'appareil de sorte que le panneau de commande avant et le panneau latéral soient accessibles lors des opérations d'entretien et de réparation.
- Pour un fonctionnement silencieux, assurez-vous de ne pas installer l'appareil directement sur les supports de structure de la maison.
- Ce produit ne convient qu'à un usage résidentiel. Il doit être installé conformément aux règlements, aux codes du bâtiment et aux codes de sécurité nationaux et locaux.



BESOIN D'AIDE? Pour obtenir de l'aide, visitez <http://yourhome.honeywell.com> ou appelez sans frais le service à la clientèle de Honeywell au 1-800-468-1502.

Lisez et conservez ces instructions.

À propos du système de ventilation VRE/VRC

Le système de ventilation équilibrée TrueFRESH™ améliore la qualité de l'air intérieur grâce à sa haute performance et son efficacité.

Avantages

- Ventilation avec récupération de la chaleur sensible (VRE et VRC)
- Ventilation avec récupération de la chaleur latente (VRE seulement)
- Montage simplifié (suspension)
- Raccords de conduit amovibles pour un raccordement facile à l'appareil
- Équilibrage intuitif par l'intermédiaire de deux moteurs à vitesse variable et d'une commande de vitesse
- Adapté aux espaces restreints (VNT 5070)



MISE EN GARDE : Risque d'incendie et de décharge électrique. Pourrait causer des blessures et endommager l'appareil.

- Débranchez toujours le cordon d'alimentation de la prise murale c.a. avant de procéder à l'entretien ou au nettoyage de l'appareil.
- Portez toujours des vêtements de protection et des lunettes de sécurité lorsque vous installez un ventilateur et que vous manipulez de la tôle.
- Afin de réduire les risques d'incendie et de décharge électrique, n'effectuez aucune opération d'entretien autre que celles indiquées dans le mode d'emploi.
- Dans le but de réduire les risques de décharge électrique, ce système de ventilation est doté d'une fiche à trois broches. Cette fiche ne peut être branchée sur une prise polarisée que dans un sens.
- Utilisez ce système de ventilation pour un usage à l'intérieur seulement.
- Ne tirez ni ne tordez le cordon d'alimentation lorsque vous le débranchez du système de ventilation. Saisissez fermement la fiche et non le cordon d'alimentation.
- Pour éviter les risques de décharge électrique, d'incendie et de dommages à l'appareil, ne modifiez pas la fiche.
- N'utilisez pas cet appareil pour l'évacuation de gaz ou de vapeurs inflammables et ne le raccordez à aucun électroménager.
- N'utilisez qu'une prise c.a. de 120 volts.
- N'utilisez pas de rallonge électrique.
- N'obstruez pas la prise d'air ni la sortie d'air du système de ventilation.
- Ne tentez pas de modifier, de réparer ni de démonter le système. Ces opérations ne doivent être effectuées que par un technicien autorisé. Le non-respect des avertissements mentionnés ci-dessus risque d'entraîner un incendie, une décharge électrique ou des blessures.
- Pour éviter les blessures, ne faites pas fonctionner le système de ventilation pendant son entretien ou sa réparation. Les roues semi-axiales tournant à très haute vitesse doivent être complètement arrêtées avant que vous n'accédiez à l'intérieur de l'appareil.
- Évaluez toujours les interactions possibles entre le système de ventilation et les appareils de combustion ventilés (notamment, les appareils de chauffage au gaz, les chaudières à mazout et les électroménagers).
- Veillez à ce que l'appareil soit correctement installé afin d'éviter qu'il ne tombe et que sa chute n'entraîne des blessures.

Évaluez vos besoins en matière de ventilation

De quelle quantité d'air frais avez-vous besoin?

Une bonne qualité d'air dépend en partie de la capacité du système de ventilation de la maison. On mesure habituellement la capacité d'un appareil en pi³/min (pieds cubes par minute) ou en l/s (litres par seconde) d'air frais redistribué dans les espaces habités. Utilisez la norme de ventilation résidentielle ASHRAE 62.2, la méthode d'évaluation des besoins en matière de ventilation selon le nombre de pièces, ou le changement d'air à l'heure (CAH) afin de déterminer vos besoins en matière de ventilation.

Norme de ventilation résidentielle ASHRAE 62.2

Tableau de dimensions en pi ³ /min ASHRAE 62.2					
Superficie (pi ²)	Capacité nécessaire (en pi ³ /min) selon le nombre de pièces				
	0-1	2-3	4-5	6-7	>7
< 1500	30	45	60	75	90
1501 - 3000	45	60	75	90	105
3001 - 4500	60	75	90	105	120
4501 - 6000	75	90	105	120	135
6001 - 7500	90	105	120	135	150
> 7500	105	120	135	150	165

NORME ANSI/ASHRAE 62.2-2010 – Besoins en ventilation exprimés en pi³/min

Le tableau ci-dessus indique les besoins minimaux en matière de débit de ventilation continue.

Méthode d'évaluation des besoins en matière de ventilation selon le nombre de pièces

Espaces habités	Nombre de pièces	x l/s (ou pi ³ /min)	=	l/s requis
Chambre à coucher principale		x 10 l/s (ou 20 pi ³ /min)	=	
Sous-sol		x 10 l/s (ou 20 pi ³ /min)	=	
Chambre secondaire		x 5 l/s (ou 10 pi ³ /min)	=	
Salon		x 5 l/s (ou 10 pi ³ /min)	=	
Salle à manger		x 5 l/s (ou 10 pi ³ /min)	=	
Salle familiale		x 5 l/s (ou 10 pi ³ /min)	=	
Salle de jeu		x 5 l/s (ou 10 pi ³ /min)	=	
Autre		x 5 l/s (ou 10 pi ³ /min)	=	
Cuisine		x 5 l/s (ou 10 pi ³ /min)	=	
Salle de bain		x 5 l/s (ou 10 pi ³ /min)	=	
Buanderie		x 5 l/s (ou 10 pi ³ /min)	=	
Salle de rangement		x 5 l/s (ou 10 pi ³ /min)	=	
Besoins totaux en ventilation			=	

Méthode du changement d'air à l'heure (CAH)

Pieds cubes TOTAUX X 0,35 par heure = pieds cubes totaux à l'heure

Divisez le total par 60 afin d'obtenir le nombre de pieds cubes par minute (pi³/min)

Exemple : Soit une maison de 7,62 m x 12,19 m, c'est-à-dire 92,89 m² (25 pi x 40 pi [1000 pi²]) avec sous-sol.

$$92,89 \text{ m}^2 \times 2,44 \text{ m}^2 \text{ de haut} \times 2 \text{ (1}^{\text{er}} \text{ étage + sous-sol)} = 453,29 \text{ m}^3 \text{ (1 000 pi}^2 \times 8 \text{ pi de haut} \times 2 = 16 \text{ 000 pi}^3)$$

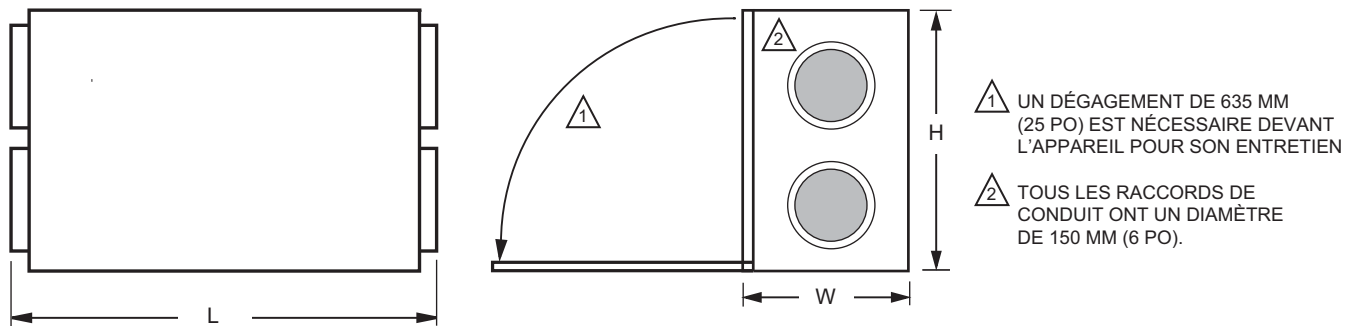
$$453,29 \text{ m}^3 \times 0,35 \text{ (CAH)} = 158,65 \text{ m}^3 \text{ par heure (16 000 pi}^3 \times 0,36 \text{ [CAH]} = 5 \text{ 600 pi}^3 \text{ par heure)}$$

$$158,65 \text{ m}^3 / 60 \text{ minutes} = 2,64 \text{ m}^3 \text{ par minute (5 600 pi}^3 / 60 \text{ minutes} = 93 \text{ pi}^3 \text{ par minutes [pi}^3/\text{min]})}$$

.....
 Votre besoin en ventilation est de 2,64 m³/min (93 pi³/min).

Caractéristiques

Dimensions en mm (pouces) du VNT5150, VNT5200, VNT6150 et VNT6200:

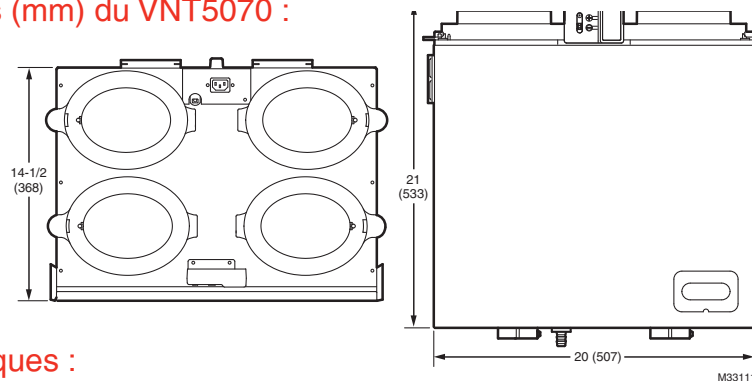


VNT5150H1000, VNT5150E1000 ou VNT6150H1000 : H = 572 mm (22,50 po), l = 295 mm (11,50 po), L = 749 mm (29,50 po)

VNT5200H1000, VNT5200E1000 ou VNT6200H1000 : H = 572 mm (22,50 po), l = 422 mm (16,50 po), L = 749 mm (29,50 po)

MF28919A

Dimensions en pouces (mm) du VNT5070 :



Caractéristiques physiques :

Modèle	Poids du produit	Poids à l'expédition	Dimensions du noyau de récupération d'énergie et de chaleur	Dimensions du filtre
VNT5150H1000 VNT5150E1000	42 lbs. (19,0 kg)	47,5 lbs. (21,55 kg)	12"x10"x12" 305x254x305 mm	10"x12" 254x305 mm
VNT5200H1000 VNT5200E1000	50 lbs. (22,68 kg)	57,5 lbs. (26,08 kg)	12"x15"x12" 305x381x305 mm	15"x12" 381x305 mm
VNT5070H1000 VNT5070E1000	33 lbs. (15,0 kg)	40,5 lbs. (18,4 kg)	10"x10"x9" 254x254x228.6 mm	9"x9.75" 228,6x247,6 mm
VNT6150H1000	43,5 lbs. (19,7 kg)	50 lbs. (22,7 kg)	12"x10"x12" 305x254x305 mm	10"x12" 254x305 mm
VNT6200H1000	51.5 lbs. (23,4 kg)	61,5 lbs. (27,9kg)	12"x15"x12" 305x381x305 mm	15"x12" 381x305 mm

Plages de fonctionnement acceptables :

Température ambiante 1 à 57 °C (34 à 135 °F)

Humidité : 0 à 99 % HR

- **Diamètre du drain de condensation :** 12,70 mm (0,50 po)
- **Armoire :** Acier galvanisé de calibre 20
- **Conduit flexible (2) :** VNT5150, VNT5200, VNT6150 et VNT6200 : Rond de 6 po pour entrée et sortie. Vinyle flexible compatible pour un raccordement à des conduits rigides ou flexibles avec vis à tôle et/ou ruban à conduits. VNT5070 : Ovale de 5 po pour entrée et sortie. Vinyle flexible compatible pour un raccordement à des conduits flexibles avec vis à tôle et/ou ruban à conduits.

Caractéristiques du système électrique :

Tension d'entrée : 120 V c.a. 60 Hz

Courant d'entrée : 1,50 A (VNT5150, VNT5200, VNT6150 et VNT6200) ; 0,85 A (VNT5070)

Puissance de sortie aux bornes : 5 V c.c., 1,00 A maximum

Normes et certifications :

CSA-22.2 #113-10

Conforme RoHS

FCC Partie 15, Classe B

ENERGY STAR (VNT6150H1000 et VNT6200H1000)

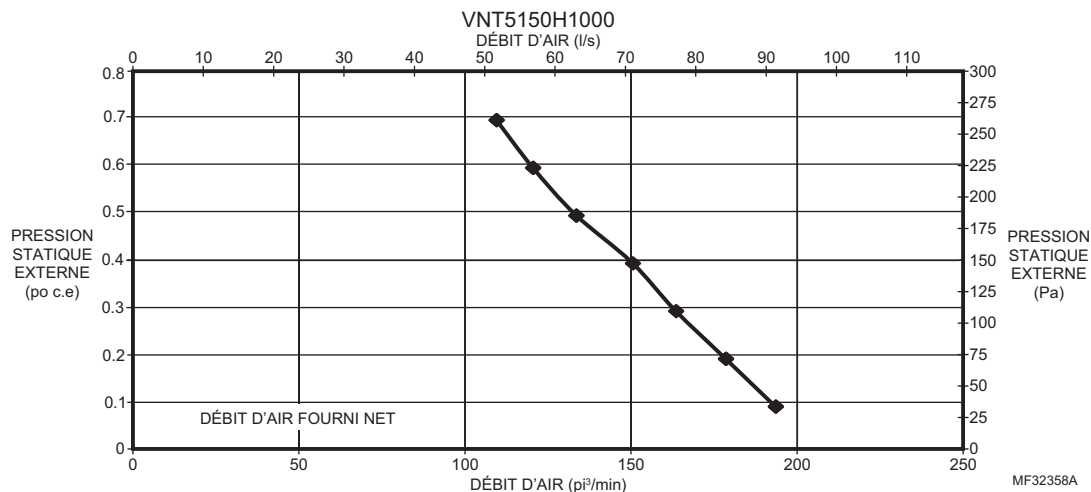


Installez le système de ventilation VRE/VRC conformément aux codes du bâtiment, aux codes de sécurité et aux règlements nationaux et locaux applicables.

Caractéristiques (suite)

Performance du VNT5150H1000 en matière de ventilation

Pression statique externe		Débit d'air fourni net		Débit d'air brut			
				Débit d'air fourni		Sortie	
Pa	po c.e.	l/s	pi ³ /min	l/s	pi ³ /min	l/s	pi ³ /min
25	0.1	91	193	91	194	103	217
50	0.2	84	178	85	179	95	201
75	0.3	77	163	77	163	86	183
100	0.4	71	150	71	151	80	169
125	0.5	63	133	63	134	71	152
150	0.6	57	120	57	121	66	138
175	0.7	51	109	51	109	57	121
200	0.8	46	96	46	96	50	106
225	0.9	40	85	40	86	43	91
250	1	35	75	36	75	39	82



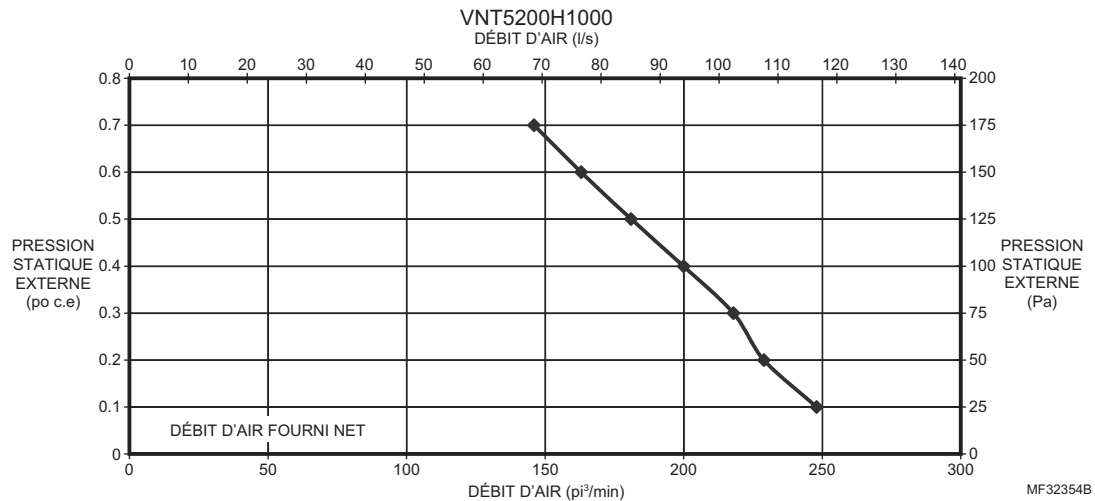
Performance du VNT5150H1000 en matière d'énergie

	Température de l'air fourni		Débit d'air fourni net		Énergie moyenne	Efficacité de récupération sensible	Efficacité sensible apparente
	°C	°F	l/s	pi ³ /min	Watts	%	%
Chauffage	0	32	31	65	72	66	75
	0	32	39	83	80	63	72
	0	32	50	107	94	60	67
	-25	-13	36	76	72	56	73

Caractéristiques (suite)

Performance du VNT5200H1000 en matière de ventilation

Pression statique externe		Débit d'air fourni net		Débit d'air brut			
				Débit d'air fourni		Sortie	
Pa	po c.e.	l/s	pi³/min	l/s	pi³/min	l/s	pi³/min
25	0.1	117	248	118	250	130	277
50	0.2	108	229	109	231	119	253
75	0.3	102	218	103	220	110	234
100	0.4	94	200	95	202	101	216
125	0.5	85	181	86	183	92	197
150	0.6	77	163	78	165	82	175
175	0.7	69	146	70	148	71	151
200	0.8	61	129	61	131	60	128
225	0.9	52	110	52	111	49	104
250	1	45	96	46	97	40	86



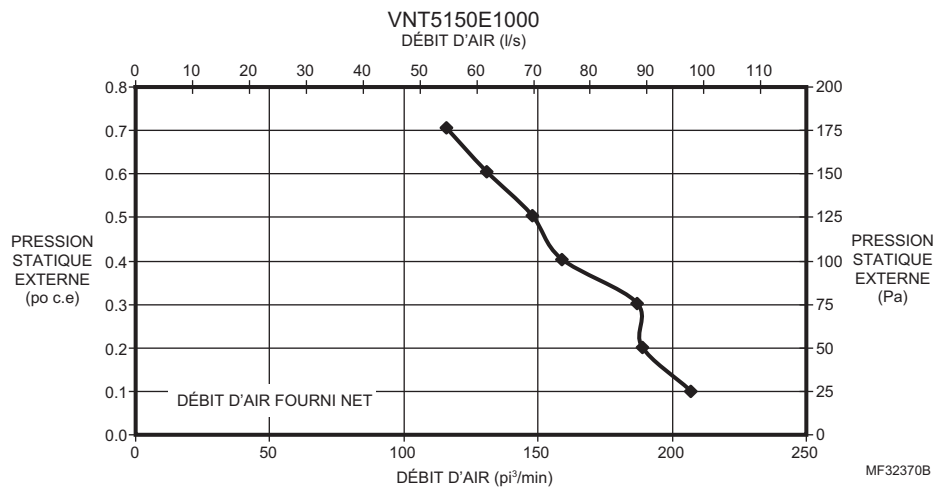
Performance du VNT5200H1000 en matière d'énergie

	Température de l'air fourni		Débit d'air fourni net		Énergie moyenne	Efficacité de récupération sensible	Efficacité sensible apparente
	°C	°F	l/s	pi³/min	Watts	%	%
Chauffage	0	32	55	118	106	61	71
	0	32	75	160	132	58	65
	0	32	87	185	150	55	62
	-25	-13	57	120	105	58	72

Caractéristiques (suite)

Performance du VNT5150E1000 en matière de ventilation

Pression statique externe		Débit d'air fourni net		Débit d'air brut			
				Débit d'air fourni		Sortie	
Pa	po c.e.	l/s	pi³/min	l/s	pi³/min	l/s	pi³/min
25	0.1	97	207	99	210	99	211
50	0.2	89	189	91	193	91	193
75	0.3	88	187	84	179	84	178
100	0.4	75	159	76	162	76	162
125	0.5	70	148	71	150	69	147
150	0.6	62	131	63	133	62	131
175	0.7	55	116	55	118	55	117
200	0.8	49	104	50	106	48	102
225	0.9	42	90	43	91	43	92
250	1.0	36	77	37	78	40	86
275	1.1	32	68	32	69	32	69



Performance du VNT5150E1000 en matière d'énergie

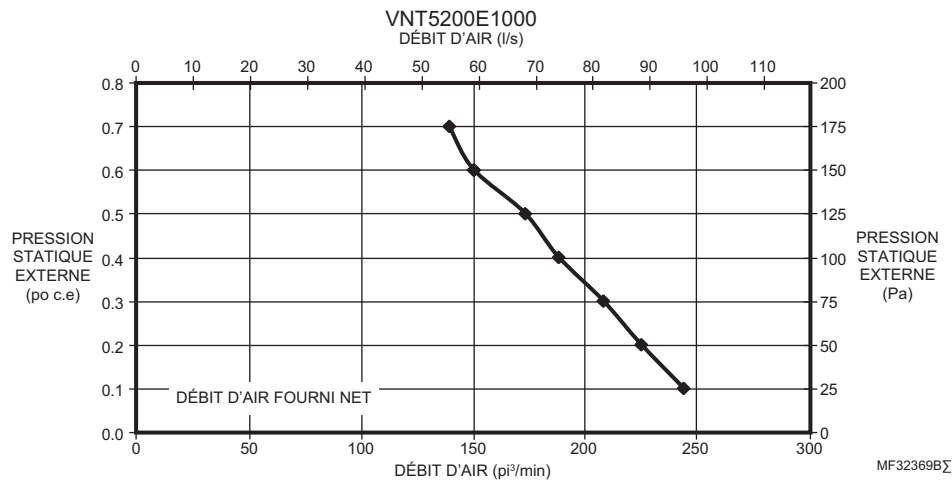
	Température de l'air fourni		Débit d'air fourni net		Énergie moyenne	Efficacité de récupération sensible	Efficacité sensible apparente
	°C	°F	l/s	pi³/min	Watts	%	%
Chauffage	0	32	24	51	58	65	76
	0	32	38	80	76	65	73
	0	32	56	118	96	62	70
	-15	5	26	55	59	52	78
	35	95	30	64	66		

Efficacité de récupération totale = 34%

Caractéristiques (suite)

Performance du VNT5200E1000 en matière de ventilation

Pression statique externe		Débit d'air fourni net		Débit d'air brut			
				Débit d'air fourni		Sortie	
Pa	po c.e.	l/s	pi³/min	l/s	pi³/min	l/s	pi³/min
25	0.1	115	244	116	247	108	230
50	0.2	106	225	107	228	101	215
75	0.3	98	208	99	210	95	202
100	0.4	88	188	89	190	83	177
125	0.5	81	173	82	175	74	157
150	0.6	71	150	71	152	67	142
175	0.7	65	139	66	140	60	127
200	0.8	57	122	58	124	52	110
225	0.9	49	105	50	106	42	89
250	1	40	86	41	87	37	74
275	1.1	34	72	34	73	30	63



Performance du VNT5200E1000 en matière d'énergie

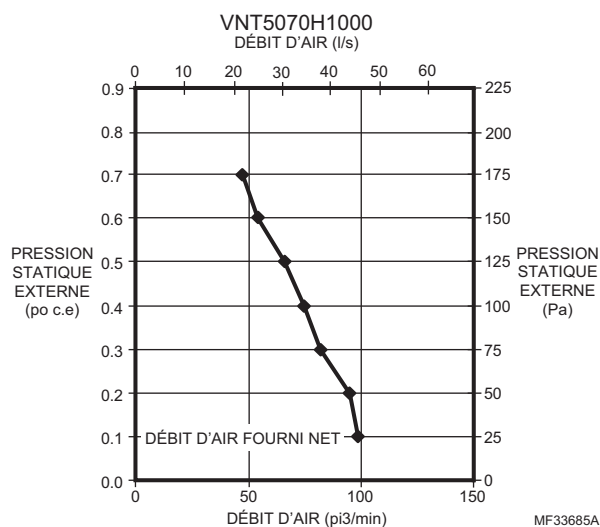
	Température de l'air fourni		Débit d'air fourni net		Énergie moyenne	Efficacité de récupération sensible	Efficacité sensible apparente
	°C	°F	l/s	pi³/min	Watts	%	%
Chauffage	0	32	37	78	74	71	81
	0	32	50	107	80	72	79
	0	32	71	150	102	69	77
	-15	5	36	75	65	58	82
	35	95	35	75	72		

Efficacité de récupération totale = 48%

Caractéristiques (suite)

Performance du VNT5070H1000 en matière de ventilation

Pression statique externe		Débit d'air fourni net		Débit d'air brut			
				Débit d'air fourni		Sortie	
Pa	po c.e.	l/s	pi³/min	l/s	pi³/min	l/s	pi³/min
25	0.1	47	99	48	100	48	102
50	0.2	44	93	45	94	43	92
75	0.3	39	83	40	84	38	80
100	0.4	35	75	35	75	36	78
125	0.5	30	65	30	66	32	68
150	0.6	27	56	27	57	25	52
175	0.7	22	46	22	47	19	41



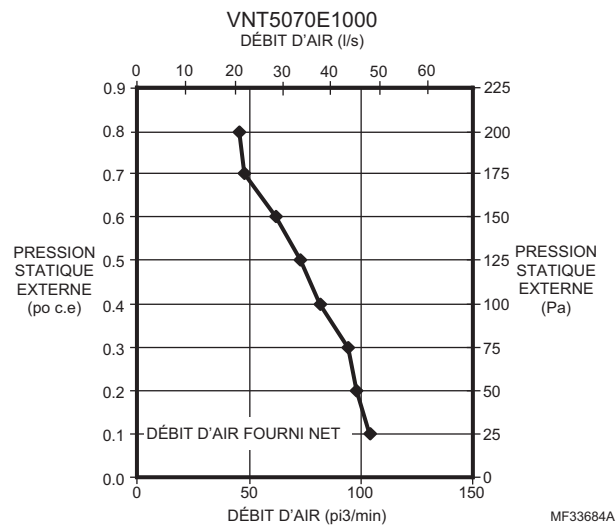
Performance du VNT5070H1000 en matière d'énergie

	Température de l'air fourni		Débit d'air fourni net		Énergie moyenne	Efficacité de récupération sensible	Efficacité sensible apparente
	°C	°F	l/s	pi³/min	Watts	%	%
Chauffage	0	32	19	40	28	64	72
	0	32	30	65	40	59	66
	-25	-13	18	37	30	55	73
	35	95					

Caractéristiques (suite)

Performance du VNT5070E1000 en matière de ventilation

Pression statique externe		Débit d'air fourni net		Débit d'air brut			
				Débit d'air fourni		Sortie	
Pa	po c.e.	l/s	pi³/min	l/s	pi³/min	l/s	pi³/min
25	0.1	49	105	49	105	46	97
50	0.2	46	97	47	99	41	86
75	0.3	44	92	44	93	41	86
100	0.4	37	80	38	81	34	73
125	0.5	34	73	35	74	29	63
150	0.6	29	62	29	63	25	52
175	0.7	23	48	23	49	18	37
200	0.8	22	46	22	47	10	20



Performance du VNT5070E1000 en matière d'énergie

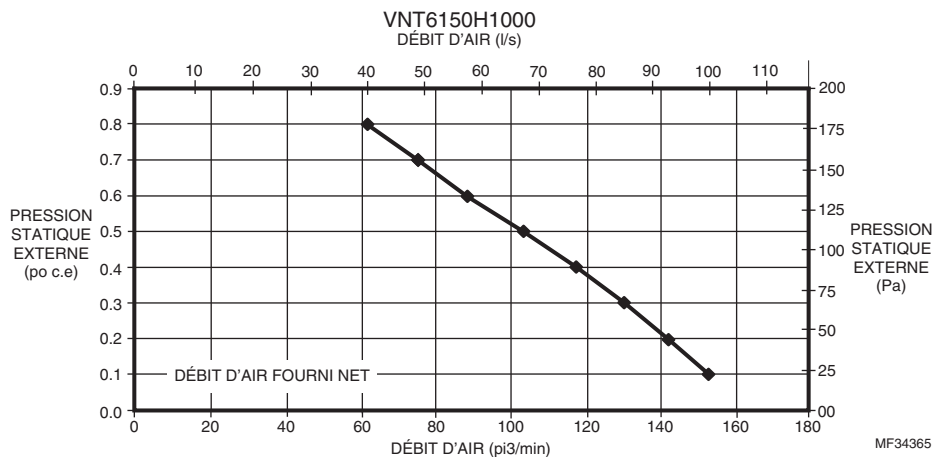
	Température de l'air fourni		Débit d'air fourni net		Énergie moyenne	Efficacité de récupération sensible	Efficacité sensible apparente
	°C	°F	l/s	pi³/min	Watts	%	%
Chauffage	0	32	20	41	30	65	74
	0	32	30	64	36	64	71
	-15	5	16	35	27	54	80
	35	95	19	41	30		
	35	95					

Efficacité de récupération totale = 43%

Caractéristiques (suite)

Performance du VNT6150H1000 en matière de ventilation

Pression statique externe		Débit d'air fourni net		Débit d'air brut			
				Débit d'air fourni		Sortie	
Pa	po c.e.	l/s	pi³/min	l/s	pi³/min	l/s	pi³/min
25	0.1	72	153	72	153	67	142
50	0.2	67	142	68	143	61	129
75	0.3	61	130	62	130	55	116
100	0.4	55	117	55	118	47	101
125	0.5	49	103	49	103	41	87
150	0.6	42	88	42	89	34	73
175	0.7	35	75	35	75	27	59
200	0.8	28	61	28	61	22	46



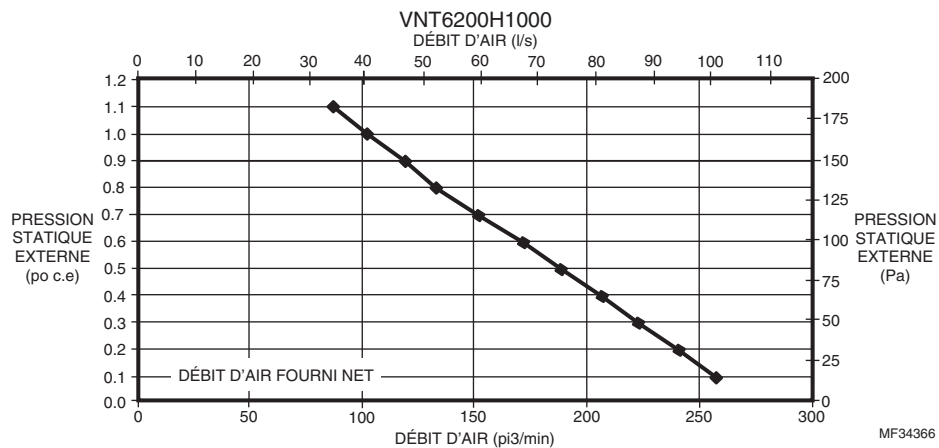
Performance du VNT6150H1000 en matière d'énergie

	Température de l'air fourni		Débit d'air fourni net		Énergie moyenne	Efficacité de récupération sensible	Efficacité sensible apparente
	°C	°F	l/s	pi³/min	Watts	%	%
Chauffage	0	32	31	66	52	75	84
	0	32	40	84	64	73	80
	0	32	50	106	74	70	77
	-25	-13	32	68	49	62	81

Caractéristiques (suite)

Performance du VNT6200H1000 en matière de ventilation

Pression statique externe		Débit d'air fourni net		Débit d'air brut			
				Débit d'air fourni		Sortie	
Pa	po c.e.	l/s	pi³/min	l/s	pi³/min	l/s	pi³/min
25	0.1	122	258	126	260	120	254
50	0.2	114	241	115	242	111	235
75	0.3	105	223	106	225	103	218
100	0.4	98	207	99	209	94	199
125	0.5	89	189	90	190	85	180
150	0.6	81	172	82	174	76	161
175	0.7	72	152	73	154	67	142
200	0.8	63	133	64	135	58	123
225	0.9	56	119	57	121	50	106
250	1.0	48	102	48	102	42	89
275	1.1	41	87	42	88	35	74



Performance du VNT6200H1000 en matière d'énergie

	Température de l'air fourni		Débit d'air fourni net		Énergie moyenne	Efficacité de récupération sensible	Efficacité sensible apparente
	°C	°F	l/s	pi³/min	Watts	%	%
Chauffage	0	32	29	61	62	78	90
	0	32	43	91	74	76	85
	0	32	60	127	92	73	80
	-25	-13	31	66	59	66	88

Commandes externes en option

Le VRE/VRC peut être utilisé avec l'une des commandes externes suivantes :



Système de confort Prestige™ (YTHX9321R5079) et Prestige™ IAQ (YTHX9421R5069)

- Règle à la fois le chauffage-refroidissement et la ventilation.
- Capteur sans fil pour l'affichage de la température et du taux d'humidité extérieurs.
- Programme de ventilation évolué qui comprend un cycle économiseur et l'interruption en cas de conditions extrêmes.
- Rappels de maintenance et de réparation.
- Écran couleur haute définition.



Système de confort total VisionPRO (TH8321U1097) et VisionPRO IAQ (YTH9421C1010)

- Règle à la fois le chauffage-refroidissement et la ventilation.
- Capteur inclus pour l'affichage de la température extérieure.
- Interface utilisateur intuitive pour la programmation simple de la température sur sept jours.
- Grand écran rétroéclairé, facilement lisible.
- Rappels de maintenance et de réparation.
- Peut aussi servir à commander d'autres appareils de régulation de la qualité de l'air ambiant.



Régulateur numérique TrueIAQ (DG115EZIAQ)

- Ajustement automatique pour le maintien de l'air frais à l'intérieur.
- Capteur inclus pour l'affichage de la température et de l'humidité extérieures.
- Programme de ventilation évolué qui comprend un cycle économiseur et l'interruption en cas de conditions extrêmes.
- Rappels de maintenance et de réparation.
- Peut aussi servir à commander d'autres appareils de régulation de la qualité de l'air ambiant.



Déshumidistat manuel (H8908DSPST) et régulateur de ventilateur automatique (W8150A1001)

- Régulation manuelle de l'humidité selon des points de consigne intuitifs.
- Régulateur W8150 assurant la régulation automatique de la ventilation conformément à la norme ASHRAE ou fonctionnant en continu.



Minuterie de ventilation à haute vitesse (50053952-020)

- Ventilation à haute vitesse pendant 20, 40 ou 60 minutes.

Commande à distance sans fil de surventilation (HVC20A1000)

- Minuterie de ventilation 20/40/60 minutes
- Fonctionne avec les thermostats RedLINK 2.0

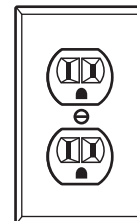
Installation selon votre utilisation

REMARQUE : Avant l'installation du système de ventilation, il est important de s'assurer qu'il fonctionnera adéquatement s'il est intégré à un autre type de système mécanique (p. ex., un système à air pulsé ou un appareil de traitement de l'air). Dans le but d'assurer la compatibilité des systèmes et leur fonctionnement adéquat, leurs débits doivent être équilibrés selon les procédures décrites dans le présent manuel.

Limitations : Ce produit ne convient qu'à un usage résidentiel. Il doit être installé conformément aux règlements, aux codes du bâtiment et aux codes de sécurité nationaux et locaux. Il est recommandé de fixer des gaines flexibles aux raccords de conduit du VRE/VRC afin de réduire le bruit causé par les vibrations.

Exigences relatives au système électrique :

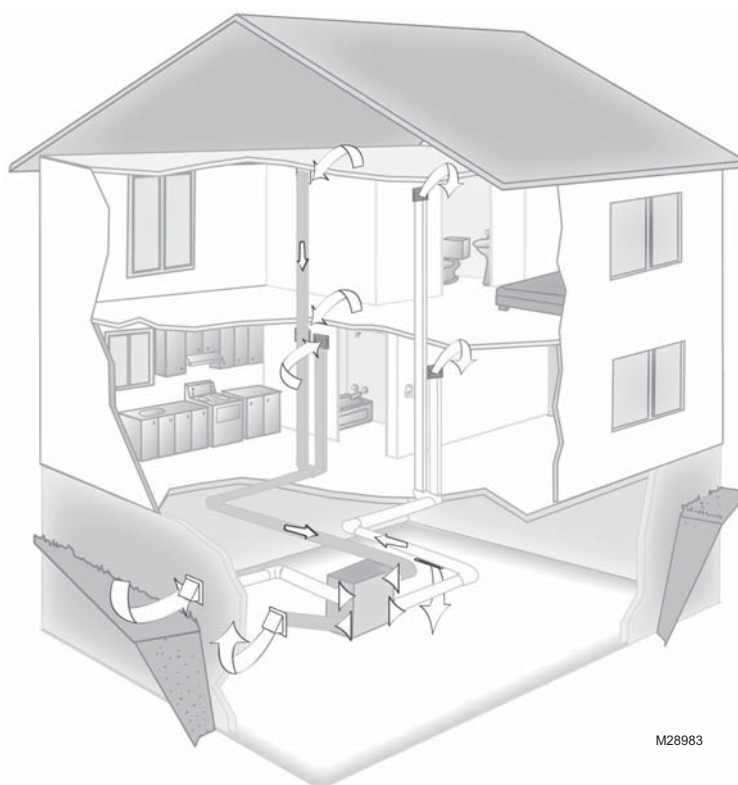
Prise V c.a. Un disjoncteur différentiel et un circuit réservé sont recommandés.



M24745



Système indépendant



M28983

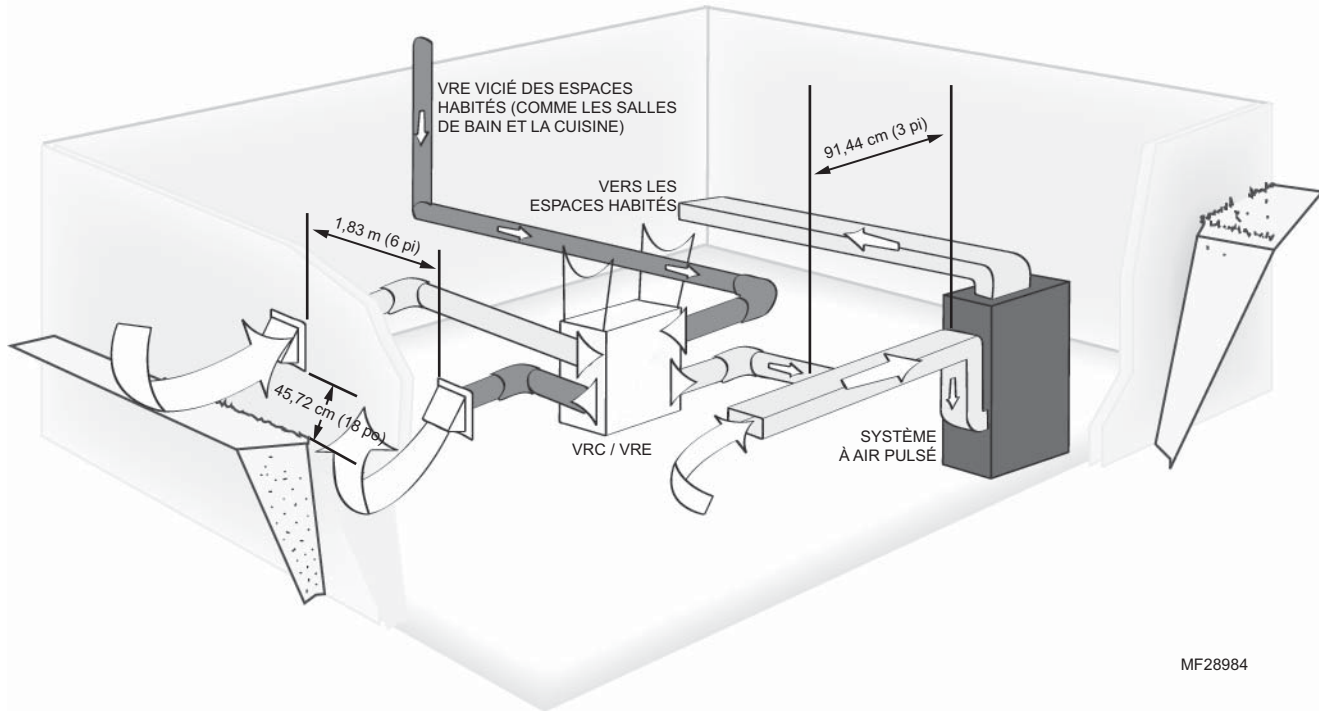
Cette application est fondée sur l'utilisation d'un système de conduits destiné à l'apport d'air frais et à l'évacuation de l'air vicié de la maison.

Honeywell recommande l'installation de grilles à air frais dans tous les espaces habités (dont les chambres à coucher) et d'évacuer l'air vicié des salles de bain, de la cuisine et de la salle de lavage.

Installation selon votre utilisation (suite)

B

Évacuation dans la conduite d'entrée et apport dans la conduite de retour



MF28984

Cette application est fondée sur l'utilisation d'un système de conduits destiné à l'évacuation de l'air vicié de la maison. L'air frais est intégré par le conduit de retour d'air et il est distribué dans toute la maison par le réseau de conduits d'alimentation en air du système à air pulsé.

Si vous choisissez cette configuration, assurez-vous que le raccord du conduit d'air frais au conduit de retour du système à air pulsé est situé à au moins 91,44 cm (3 pi) du système à air pulsé. Consultez le code local applicable ou informez-vous auprès du fabricant du système à air pulsé.

Pour une efficacité maximale, il est recommandé de faire fonctionner la soufflante du système à air pulsé en même temps que le VRE/VRC.

REMARQUE : Pour connaître la distance minimale nécessaire entre le raccord d'air frais et le système à air pulsé, consultez les codes du bâtiment locaux et le fabricant du système à air pulsé.

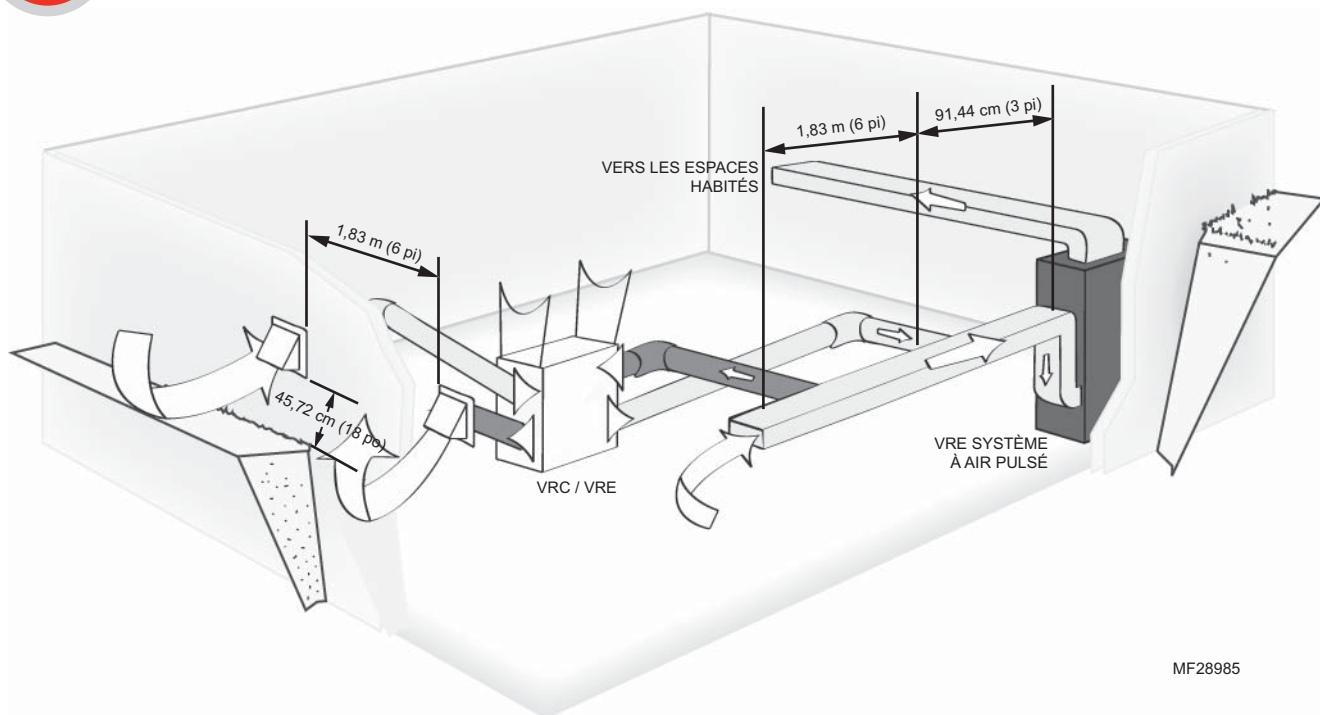
REMARQUE : Dans les habitations comportant plusieurs systèmes à air pulsé, Honeywell recommande l'utilisation d'un VRE/VRC par système.

REMARQUE : Pour savoir comment raccorder l'appareil VRE/VRC à un système à air pulsé, reportez-vous à la section Câblage (commençant à la page 66).

Installation selon votre utilisation (suite)



Évacuation et apport dans la conduite de retour



Si vous choisissez cette configuration, assurez-vous que les raccords des conduits d'air frais et d'air vicié du VRE/VRC au conduit de retour d'air sont situés à au moins 1,83 m (6 pi) l'un de l'autre. L'alimentation en air du VRE/VRC doit se trouver à au moins 91,44 cm (3 pi) du système à air pulsé. Ces distances peuvent varier d'une région à l'autre; consultez le code local applicable ou informez-vous auprès du fabricant du système à air pulsé.

REMARQUE : Pour connaître la distance minimale nécessaire entre le conduit de retour d'air et le système à air pulsé, consultez les codes du bâtiment locaux et le fabricant du système à air pulsé.

REMARQUE : L'apport d'air doit toujours être en aval de l'air vicié dans le conduit de retour d'air du système à air pulsé.

REMARQUE : La soufflante de l'appareil de chauffage doit fonctionner en même temps que le système de ventilation. Réglez la soufflante de l'appareil de chauffage de sorte qu'elle fonctionne continuellement, ou munissez-la d'un enclenchement électrique (à basse tension).

Procédure d'installation

1

Trousse de quincaillerie

Assurez-vous d'avoir les articles suivants en main avant d'installer le produit :

4 colliers de conduit ronds (VNT5150, VNT5200, VNT6150 et VNT6200)



4 colliers de conduit ovales (VNT5070)



Trousse de quincaillerie :

- 2 gaines flexibles en vinyle de 6 po (VNT5150, VNT5200, VNT6150 et VNT6200)
- 1 tuyau d'évacuation de condensation (10 po)
- 1 adaptateur de tuyau d'évacuation avec écrou
- 4 attaches autobloquantes (76,20 cm [30 po])
- 16 vis à tête hexagonale (1/4 x 5/8 po)
- 4 vis à tête hexagonale (1/4 x 1 po)
- 4 rondelles
- 1 bouchon de vidange (VNT5070E1000, VNT5150E1000 et VNT5200E1000 seulement)
- 1 cordon d'alimentation de 120 V c.a. (non illustré)



2

Zone d'Installation

Le VRE/VRC doit être installé dans une pièce réservée aux systèmes du bâtiment ou aussi près que possible d'un mur extérieur.

La zone où est installé le VRE/VRC doit être climatisée en permanence afin d'éviter que le tuyau d'évacuation des condensats ne gèle.

L'entrepreneur doit installer l'appareil dans un endroit où il sera facile d'y accéder afin d'en effectuer l'entretien. Il est très important d'installer une prise de courant (120 V c.a.) à proximité de l'appareil, et il est préférable que ce dernier soit protégé par un disjoncteur séparé. Il est préférable d'installer le VRE/VRC à proximité d'un tuyau d'évacuation de condensation, de sorte que vous n'ayez pas à recourir à une pompe à condensation.

REMARQUE : Il n'est pas recommandé d'installer l'appareil dans un endroit non climatisé (comme un grenier ou un vide sanitaire), où la température peut descendre en dessous de 0 °C (32 °F).

REMARQUE : Dans les endroits non climatisés, les conduits doivent être parfaitement scellés et isolés.

Procédure d'installation (suite)



Suspension du VRE/VRC (VNT5150, VNT5200, VNT6150 et VNT6200)

Le système de suspension simplifié du VRE/VRC permet une installation rapide et facile.

CONSEIL : Le fait de retirer le noyau allège l'appareil et facilite l'installation de ce dernier.



1. Fixez les courroies aux solives à l'aide des rondelles fournies et de quatre vis de suspension de 1 po à tête hexagonale.



2. Tirez le milieu de la courroie tout en soulevant doucement l'appareil.

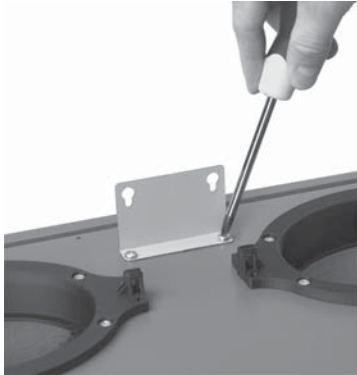


3. Pour terminer, effectuez les ajustements nécessaires pour mettre l'appareil de niveau.

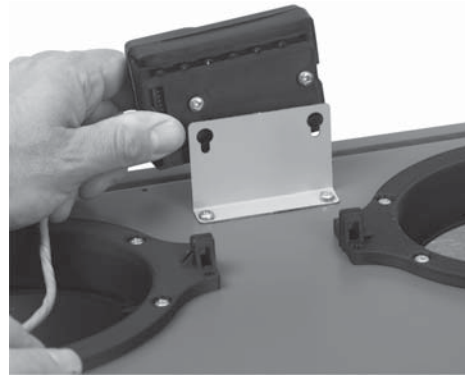
REMARQUE : Si l'appareil n'est pas de niveau, son drainage pourrait ne pas être adéquat, ce qui entraînerait des fuites et des problèmes liés à l'humidité.

3b

Montage du VNT5070



1. Attachez le support du module de commande en haut du VNT5070 à l'aide des vis de montage fournies.



2. Faites glisser le module de commande sur le support en utilisant les boutonnières.



3. Attachez le support de montage mural à deux planches de 2x4 po ou à un panneau de contre-plaqué prédécoupé à l'aide des vis de montage fournies.



4. Accrochez l'unité au support.



5. Fixez avec deux vis à tôle.



REMARQUE : Lorsque ces étapes de montage sont terminées, reprenez la procédure d'installation normale en commençant à la page 62, « Installation de la gaine flexible au VRE/VRC »

Procédure d'installation (suite)

4

Installation de la gaine flexible au VRE/VRC

CONSEIL : Honeywell recommande d'utiliser 40,64 cm (16 po) de gaine flexible (fournie dans la trousse avec VNT5150, VNT5200, VNT6150 and VNT6200) entre l'appareil et le conduit rigide afin d'atténuer le bruit. La gaine flexible se fixe à l'appareil de la même manière que la gaine flexible isolée.



1. Insérez la gaine flexible par-dessus les crochets du raccord de conduit et scellez le tout à l'aide de l'une des attaches autobloquantes de 76,20 cm (30 po) fournies.



2. Insérez l'isolant à l'intérieur de l'anneau extérieur du raccord de conduit.



3. Pour terminer, fixez la gaine au raccord à l'aide de ruban à conduits.



4a. Glissez le raccord sur l'appareil (VNT5150, VNT5200, VNT6150 et VNT6200).

CONSEIL : Pour l'unité VNT5070, l'équilibrage doit être fait avant d'appliquer l'isolation sur le collier. Voir les étapes d'équilibrage à la page 74.



4b. Attachez le collier à l'unité (VNT5070).

IMPORTANT: Fixez solidement chaque raccord de conduit à l'aide de quatre des vis de 5/8 po fournies. Cette étape est très importante, car elle permet d'éviter l'accumulation de condensats.



5. Fixez le raccord à l'aide des vis hexagonales de 5/8 po fournies.

CONSEIL : Fixez d'abord la gaine flexible au raccord de conduit, puis le raccord à l'appareil.

Procédure d'installation (suite)

5

Installation du tuyau d'évacuation des condensats

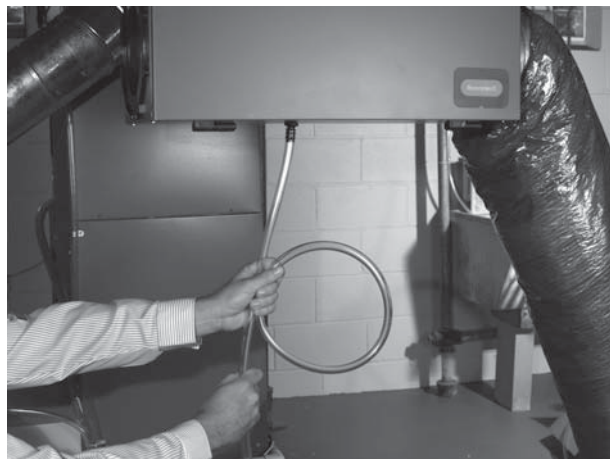
Insérez l'adaptateur de tuyau d'évacuation fileté sous l'appareil et resserrez à la main l'écrou en plastique fourni dans l'ensemble du tuyau d'évacuation.

Utilisez une clé pour serrer l'écrou d'un demi-tour supplémentaire afin d'assurer l'étanchéité du raccord.

Installez le tuyau d'évacuation de condensation en poussant le tube de plastique transparent autour de l'adaptateur de tuyau.

Faites une boucle avec le tube de plastique transparent afin que la condensation s'y accumule, afin d'éviter l'entrée d'odeurs nauséabondes dans l'appareil.

Si vous n'avez pas accès au siphon de sol, utilisez une pompe à condensation.



Application sans vidange

REMARQUE : Si vous installez un VRE (VNT5150E1000, VNT5200E1000 ou VNT5070E1000) dans une région où la température extérieure n'est jamais inférieure au point de congélation, il est inutile d'installer un tuyau d'évacuation de condensation; l'appareil peut donc être installé sans vidange.

1. Insérez l'adaptateur de tuyau d'évacuation fileté sous le VRE en plaçant le raccord du tuyau vers l'intérieur de l'appareil, comme le montre l'illustration.
2. Ajustez la rondelle en caoutchouc autour de l'adaptateur de tuyau d'évacuation, puis fixez-y l'écrou en plastique
3. Serrez à la main l'écrou en plastique fourni avec l'ensemble du tuyau d'évacuation.
4. Utilisez une clé pour serrer l'écrou d'un demi-tour supplémentaire afin d'assurer l'étanchéité du raccord.
5. Fixez le bouchon de vidange à l'adaptateur de tuyau d'évacuation, à l'intérieur de l'appareil.



Procédure d'installation (suite)

6

Cordon d'alimentation du VRE/VRC

Cordon d'alimentation

Insérez le cordon d'alimentation sur le dessus de l'appareil. Appuyez fermement afin de vous assurer que la connexion est solide.

IMPORTANT : Ne branchez pas encore le cordon d'alimentation dans le mur.

Prise murale

Honeywell recommande que l'appareil soit branché à une prise réservée de 120 V c.a.

Évitez d'utiliser une rallonge électrique pour brancher l'appareil à une prise murale.

Honeywell ne recommande pas l'utilisation d'une rallonge électrique.

Assurez-vous que la polarité de la prise est adéquate.



REMARQUE : Si le voyant DEL du panneau de commande du VRE/VRC demeure vert, les moteurs ne se chargent pas et les commandes ne fonctionnent pas; cette situation pourrait être causée par une inversion de la polarité de la prise c.a.

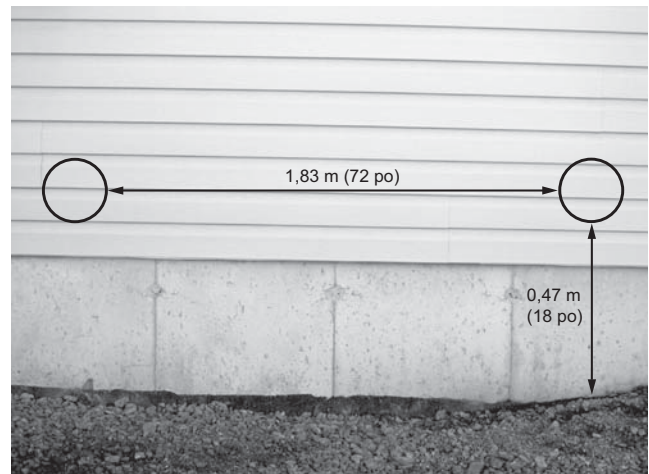
7a

Installation de hottes extérieures pour l'entrée et la sortie d'air

Installez les hottes extérieures à 0,47 m (18 po) du sol et à 1,83 m (72 po) l'une de l'autre.

REMARQUE : N'installez pas la hotte d'entrée d'air frais à proximité d'une source connue de polluants, comme la sortie d'air de la sécheuse.

IMPORTANT : Consultez toujours le code de votre région afin de connaître les exigences en matière d'espacement.



MF32372

Procédure d'installation (suite)

7b

Installation de la hotte à matrice pour l'air frais et l'air évacué

REMARQUE : Réservé aux applications d'une vitesse maximale de 115 pi³/min. Les débits d'air supérieur sont limités par des pressions statiques supérieures et le potentiel de contamination croisée entre les flux d'air d'arrivée et d'évacuation. La conception de la hotte à matrice est adaptée aux espaces plus restreints généralement présents dans les résidences citadines et appartements nécessitant des débits d'air moindres.



Voir la documentation de la hotte à matrice pour les instructions détaillées.

Dégivrage automatique

Les appareils VRE et VRC sont munis d'une fonction de dégivrage automatique afin d'éliminer la glace susceptible de se former sur le noyau.

- Lorsque la température de l'air frais qui entre dans le système est inférieure à -5 °C (23 °F) ou moins, la fonction de dégivrage automatique se met en marche une fois l'heure.
- Cette fonction éteint le ventilateur d'arrivée tout en maintenant allumé le ventilateur d'évacuation.
- La vitesse du ventilateur d'évacuation, lente au départ, s'ajuste en fonction de la température extérieure.
- À mesure que la température baisse, la vitesse du ventilateur augmente, atteignant sa vitesse maximale lorsque la température extérieure est de -20 °C (-4 °F) ou moins.
- Le cycle de dégivrage VRC/VRE de la série VNT5070 se compose de 5 minutes avec le ventilateur d'alimentation à l'arrêt, suivies de 35 minutes de fonctionnement normal continu.
- Le cycle de dégivrage VRC/VRE de la série VNT5150 se compose de 5 minutes avec le ventilateur d'alimentation à l'arrêt, suivies de 35 minutes de fonctionnement normal continu.
- Le cycle de dégivrage VRC/VRE de la série VNT5200 se compose de 4 minutes avec le ventilateur d'alimentation à l'arrêt, suivies de 40 minutes de fonctionnement normal continu.
- Le cycle de dégivrage VRC des séries VNT6150H1000 et 6200H1000 se compose de 8 minutes avec le ventilateur d'alimentation à l'arrêt, suivies de 32 minutes de fonctionnement normal continu.
- La fonction de dégivrage continuera de se mettre en marche périodiquement tant que la température extérieure sera de -5 °C (23 °F) ou moins.

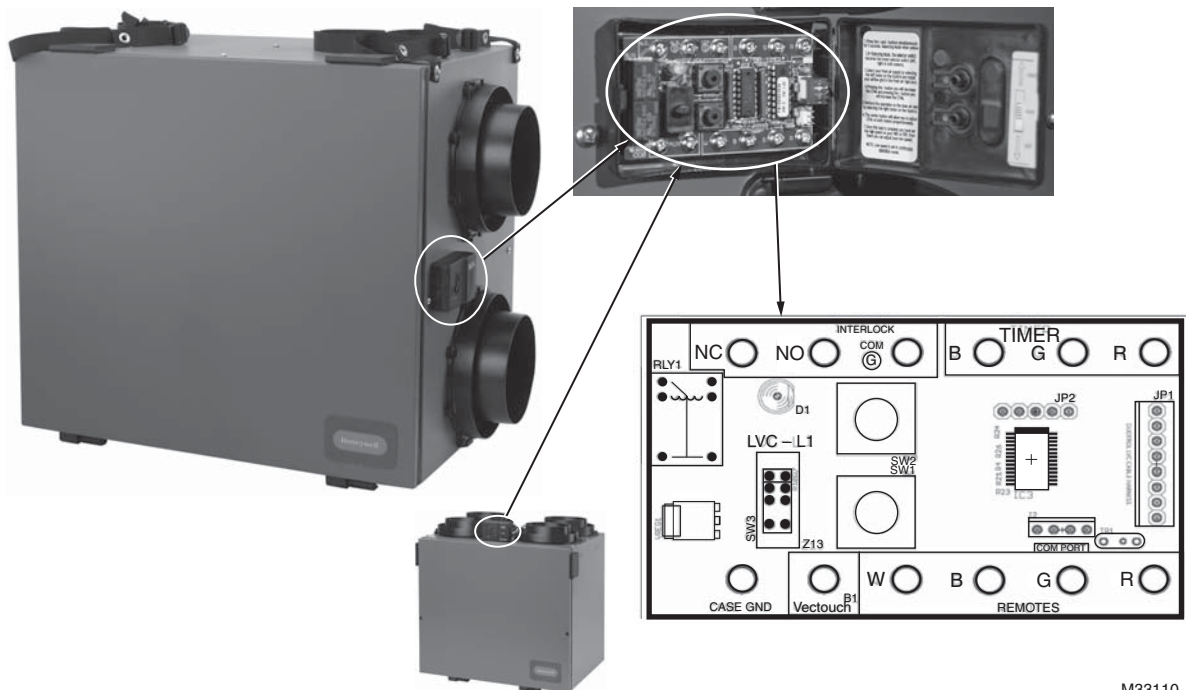
Câblage



MISE EN GARDE : Haute tension présentant un danger et pouvant endommager l'appareil.

Coupez l'alimentation électrique de l'appareil avant son installation.

Description du bornier



M33110

Le bornier est situé derrière la porte du module de commande, sur le côté de l'appareil.

Pour y accéder, ouvrez la porte du panneau de commande en la faisant basculer vers la droite, comme le montre l'illustration ci-dessus.

Câblage (suite)

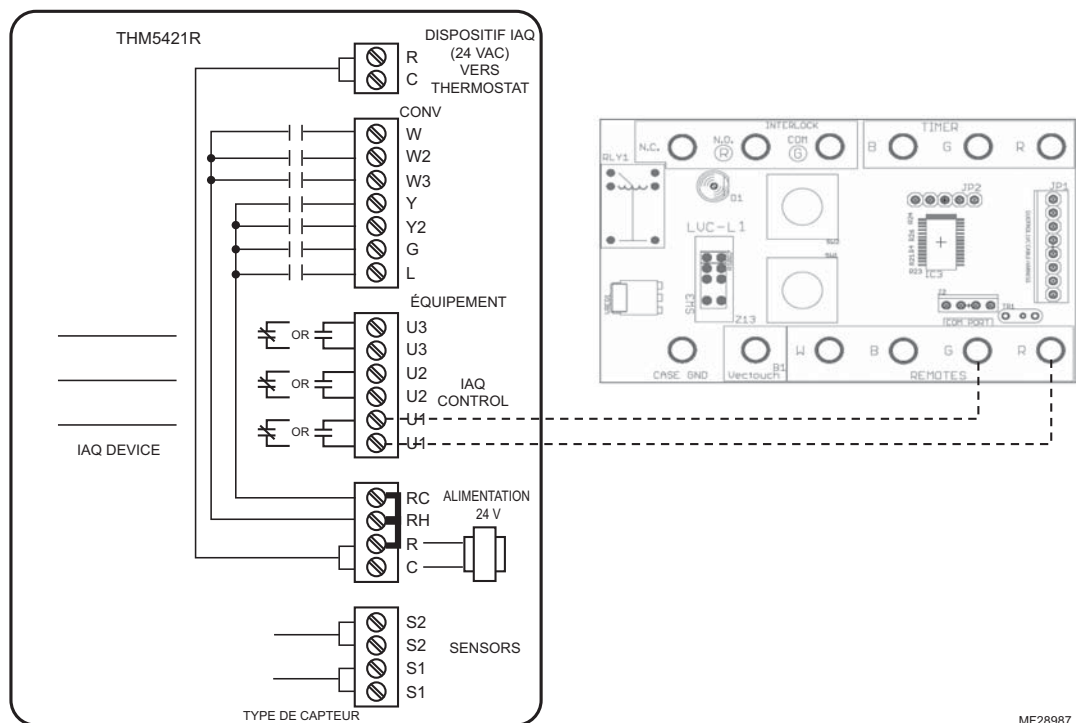
Câblage pour un fonctionnement avec commande à distance

Mode CONT (continu) : Le ventilateur fonctionne en continu à basse vitesse; une commande augmente ensuite la vitesse.

Mode INTER (intermittent) : Le ventilateur est éteint jusqu'à ce qu'on le mette en marche en haute vitesse, à partir d'une commande murale.

Câblage des commandes à distance

Suivez ce schéma si vous utilisez un module d'interface d'équipement RF et un régulateur IAQ Prestige™ à deux fils.

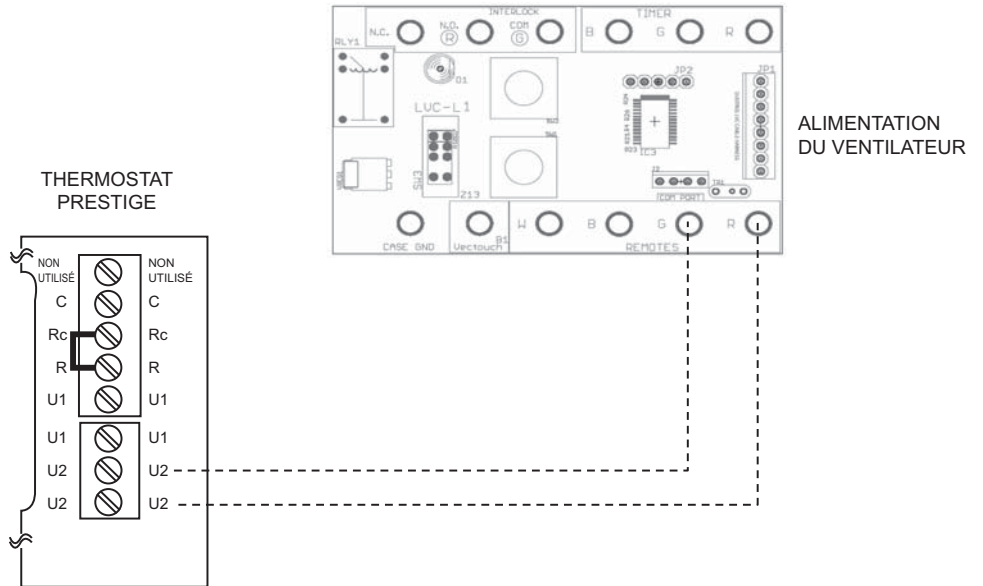


MF28987

CONSEIL : Alliez le thermostat Prestige 2.0 avec commande à distance de surventilation sans fil pour assurer une commande de surventilation partout dans la maison.

Câblage (suite)

Suivez ce schéma si vous utilisez un **thermostat Prestige™** (verrouillage non représenté).



U1/U1 RELAIS IAQ (QUALITÉ DE L'AIR AMBIANT) CONFIGURABLE POUR HUMIDIFICATEUR, DÉSHUMIDIFICATEUR OU ÉVÈNT

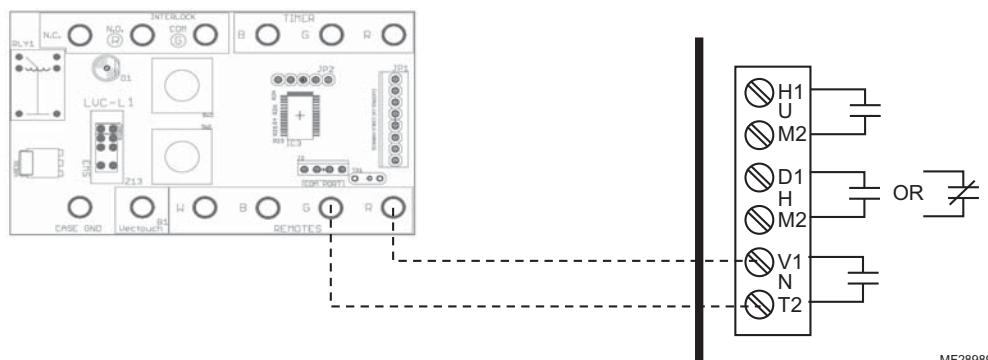
U2/U2 RELAIS IAQ (QUALITÉ DE L'AIR AMBIANT) CONFIGURABLE POUR HUMIDIFICATEUR, DÉSHUMIDIFICATEUR OU ÉVÈNT

MF28988

CONSEIL : Alliez le thermostat Prestige 2.0 avec commande à distance de surventilation sans fil pour assurer une commande de surventilation partout dans la maison.

Module d'interface d'équipement VisionPRO IAQ

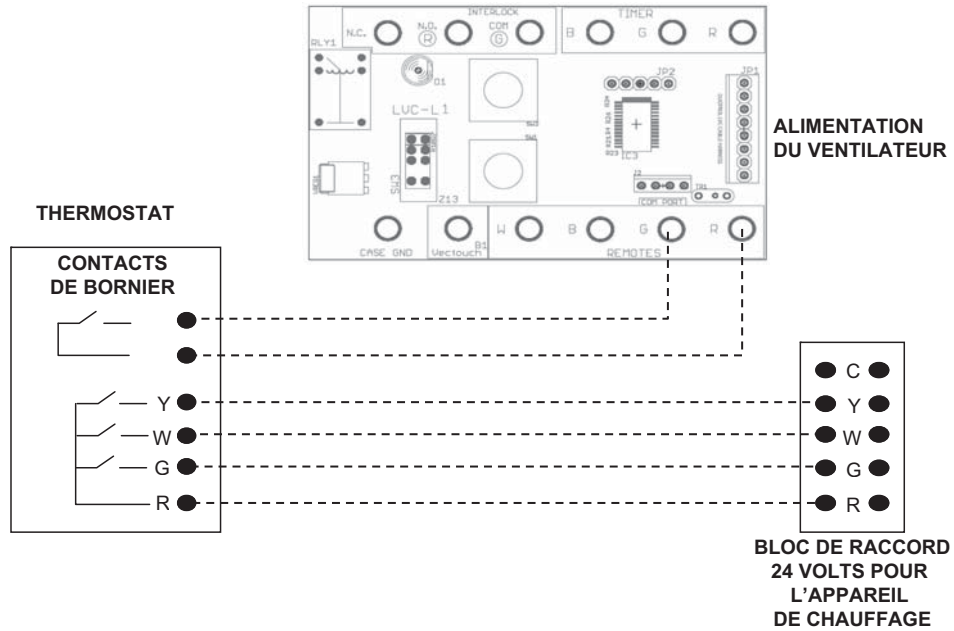
Suivez ce schéma si vous utilisez un **VisionPRO IAQ.**



MF28989

Câblage (suite)

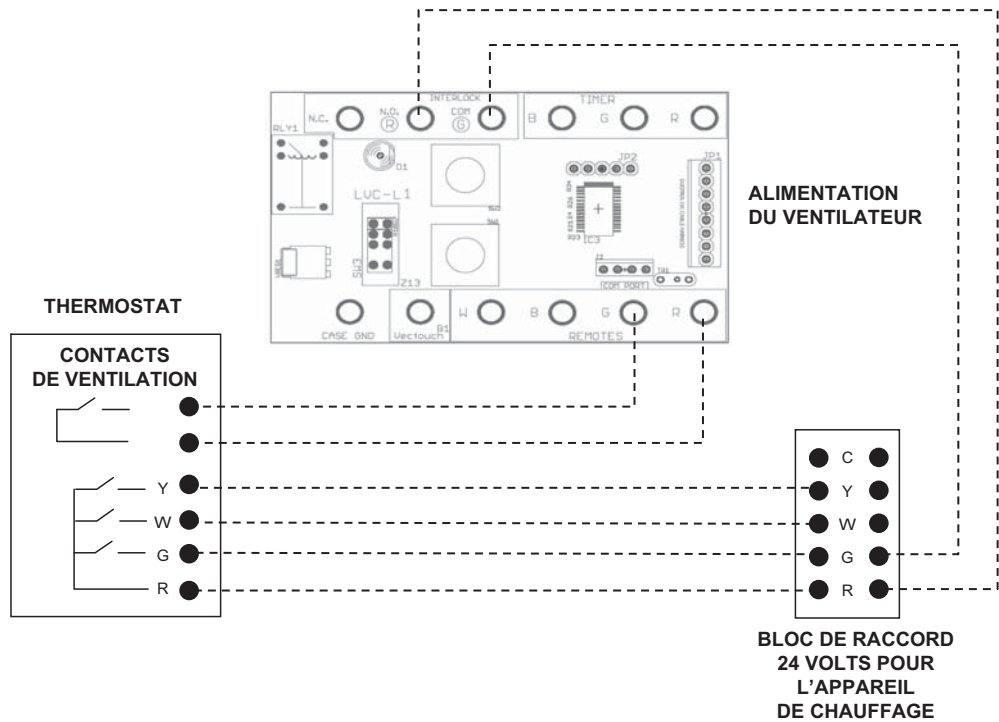
Suivez ce schéma pour le câblage général du ventilateur (sans verrouillage avec le ventilateur de l'équipement).



MF28990

Le VRE/VRC est utilisé de concert avec un thermostat à commande de chauffage et de refroidissement classique ou un autre type de commande murale.

Suivez ce schéma pour le câblage général d'un ventilateur avec verrouillage avec ventilateur d'équipement.

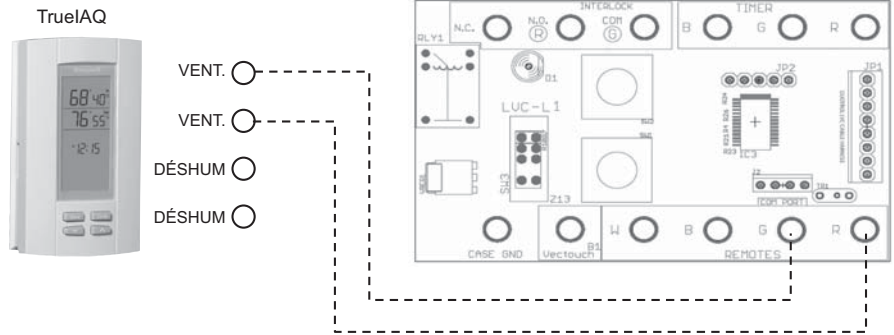


MF28991

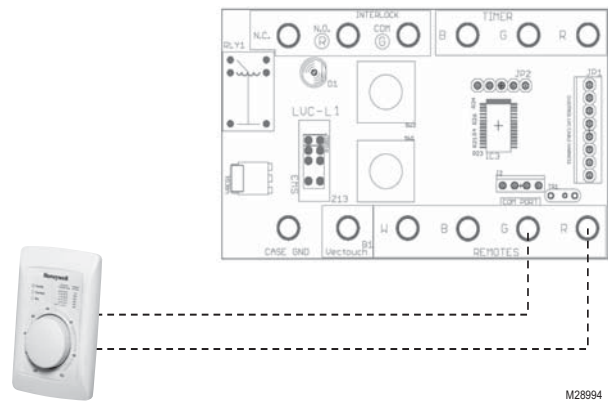
Le VRE/VRC est relié au système à air pulsé et est utilisé avec un thermostat classique à commande de chauffage et de refroidissement avec contacts de ventilation (il est possible d'utiliser une autre commande murale pour le ventilateur).

Câblage (suite)

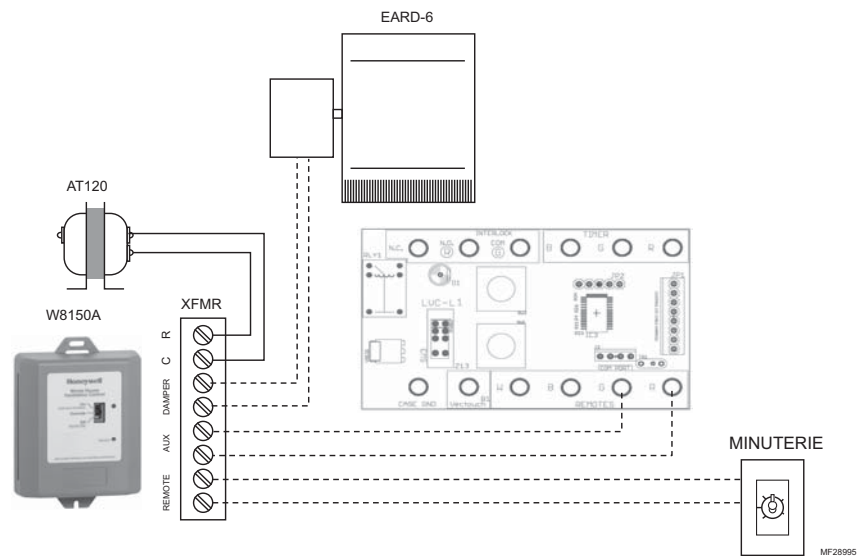
Suivez ce schéma si vous utilisez un **TrueIAQ (DG115EziQ)**.



Suivez ce schéma si vous utilisez un **déshumidistat**.

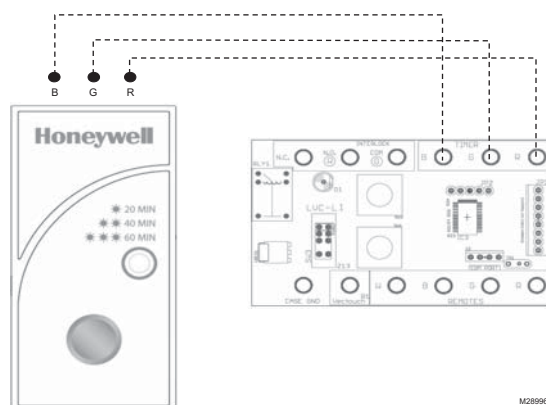


Suivez ce schéma si vous utilisez un **régulateur W8150**.



Suivez ce schéma si vous utilisez la **minuterie Honeywell pour la ventilation à haute vitesse (20, 40 ou 60 minutes)**.

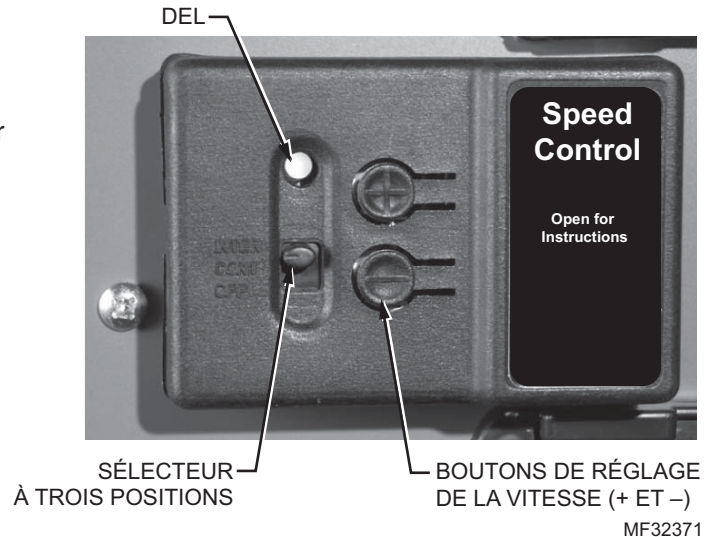
Remarque : Vous pouvez relier plusieurs minuterie en parallèle.



Panneau de commande

Le panneau de commande dispose d'un sélecteur à trois positions et de boutons « + » et « - » pour régler la vitesse. La couleur du voyant DEL indique à quelle fonction est réglé le sélecteur.

- DEL VERTE = mode de fonctionnement normal
- DEL JAUNE = Mode équilibrage



Mode de fonctionnement normal et réglage de la vitesse

Lorsque le voyant DEL est vert, le sélecteur permet de choisir un mode de fonctionnement parmi les trois suivant :

- **INTER (Intermittent)** : Lorsque le sélecteur est à la position INTER, l'appareil fonctionnera uniquement lorsqu'une commande externe démarrera la ventilation. L'appareil fonctionnera au régime haute vitesse jusqu'à ce que change la condition ayant déclenché la ventilation.
- **CONT (continu)** : Lorsque le sélecteur est à la position INTER, l'appareil fonctionne de façon continue à basse vitesse jusqu'à ce qu'il soit interrompu par une autre commande.
- **OFF (arrêt)** : Lorsque le sélecteur est à la position OFF, l'appareil ne fonctionne pas et ne peut être mis en marche par une commande externe.
- **Boutons (+) et (-)** : S'utilisent pour régler la vitesse au mode de fonctionnement continu.

Réglage de la vitesse et mode équilibrage

Au mode équilibrage, le voyant DEL est jaune, et le sélecteur change de fonction et règle la vitesse des deux moteurs aux fins d'équilibrage du débit d'air (air frais et air vicié). Les trois types de commande sont les suivants :

- **INTER** : Commande du moteur pour l'évacuation de l'air vicié.
- **CONT** : Commande des deux moteurs à la fois (air frais et air vicié).
- **OFF (arrêt)** : Sélectionne le moteur d'air frais.

REMARQUE : La vitesse en mode continu équivaut à 50 % du régime haute vitesse.

REMARQUE : Reportez-vous à la procédure d'équilibrage à la page 72.

Réglage de la vitesse et commande des moteurs

- **Bouton +** : Augmente la vitesse du moteur sélectionné.
- **Bouton -** : Diminue la vitesse du moteur sélectionné.

REMARQUE : Reportez-vous à la procédure d'équilibrage à la page 72.

Procédure d'équilibrage

REMARQUE : Avant l'équilibrage, assurez-vous que le ventilateur du système CVCA est en marche (si l'appareil VRE/VRC est connecté à un tel système).

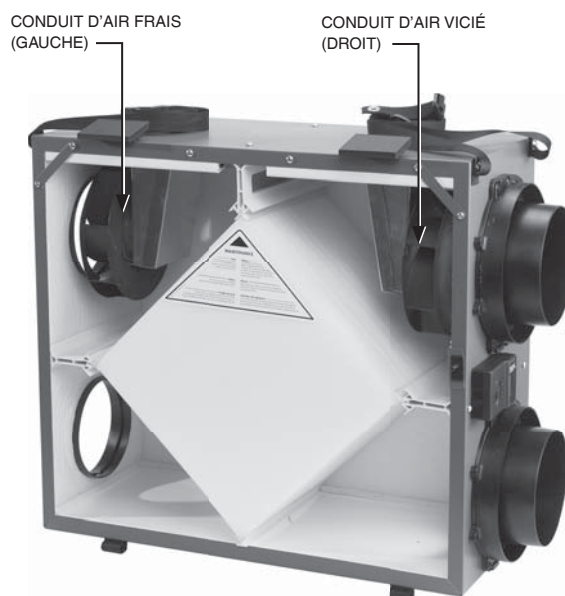
1

- Assurez-vous que le sélecteur de vitesse est à la position INTER ou CONT.
- Appuyez simultanément sur les boutons + et – simultanément pendant 5 secondes jusqu'à ce que le voyant DEL vire au jaune, ce qui indique que vous êtes au mode équilibrage.

Au mode équilibrage, le sélecteur permet de choisir le moteur, le moteur droit (air vicié) lorsqu'il est à la position INTER, les deux moteurs à la fois à la position CONT, et le moteur gauche (air frais) à la position OFF.

2

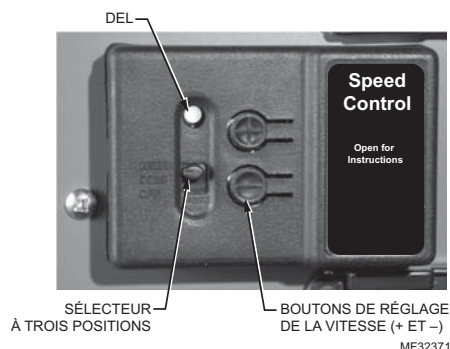
- Utilisez un tube de Pitot ou un manomètre pour mesurer le débit d'air dans le conduit d'air frais et le conduit d'évacuation de l'air. (Pour le VNT5070, prenez les mesures de débit d'air en suivant la procédure indiquée à la page 73.)
- Déplacez le sélecteur pour régler le débit dans le conduit présentant le résultat le plus élevé.
INTER : air vicié (droit)
OFF (arrêt) : air frais (gauche)
- Appuyez sur les boutons + ou – pour régler le débit d'air à la valeur souhaitée pour le régime haute vitesse.
- Déplacez le sélecteur à la position CONT (pour régler la vitesse relative des deux moteurs).



REMARQUE : Pour les mesures de débit d'air sur le VNT5070, suivez la procédure à la page 73.

3

- Appuyez simultanément sur les touches + et – pour quitter le mode équilibrage.
- Le voyant passe au vert.
- Le débit d'air au mode de fonctionnement continu sera de 50 % celui qui a été mesuré.

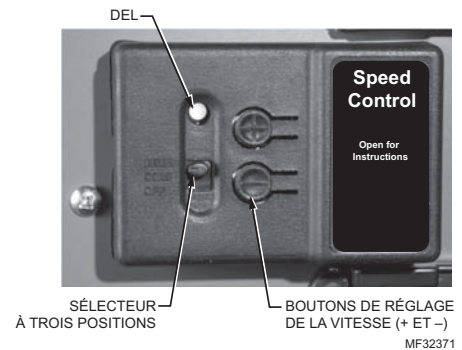


Réinitialisation de l'équilibrage

REMARQUE : L'appareil doit être réinitialisé avant chaque nouvelle procédure d'équilibrage.

Réinitialisation :

1. Appuyez simultanément sur les touches + et – pendant 10 secondes.
2. Le voyant deviendra jaune après 5 secondes.
3. Le voyant deviendra vert après 10 secondes.
4. Relâchez les deux boutons.
5. L'appareil est réinitialisé et peut être mis de nouveau au mode équilibrage.



Vérification

- Mettez l'appareil sous tension. Déplacez le sélecteur à la position CONT pour vous assurer que l'appareil fonctionne au mode continu.
- Déclenchez la ventilation à partir de chaque commande externe. Vérifiez que l'appareil VRE/VRC fonctionne au régime haute vitesse.
- Remplacez le sélecteur à la position désirée et réglez les commandes externes aux paramètres souhaités.
- Assurez-vous qu'aucun conduit n'est entortillé.

Mesures de débit d'air – VNT5070 uniquement

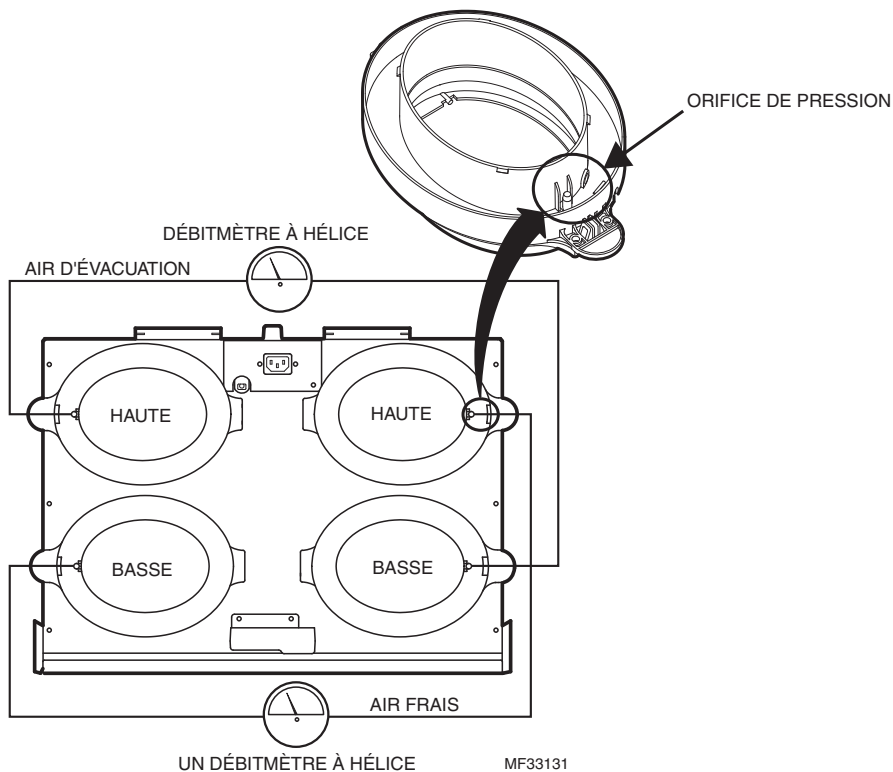
Les ventilateurs VNT5070 sont équilibrés par le biais des orifices de pression situés sur les colliers de conduite et en utilisant le tableau de corrélation pression-débit d'air apposé sur le côté de l'unité.

REMARQUE : Les ventilateurs VNT5150, VNT5200, VNT6150 et VNT6200 ne sont pas munis d'orifices de pression ou de tableaux de corrélation. À la place, ils sont équilibrés par l'intermédiaire de grilles de débit d'air et de tubes de Pitot qui mesurent le débit d'air directement dans chaque flux d'air.

Tableau de corrélation pression-débit d'air :

Différentiel de pression		Air frais		Air évacué	
Pa	po c.e.	l/s	Débit	l/s	Débit
50	0.20	44	93	43	90
62	0.25	41	87	40	85
75	0.30	39	83	37	79
87	0.35	37	79	36	77
100	0.40	35	74	36	76
112	0.45	33	69	34	71
125	0.50	30	65	32	67
137	0.55	29	61	28	60
150	0.60	26	56	24	51
162	0.65	24	50	22	47
175	0.70	22	46	19	41
187	0.75	19	41	17	36
199	0.80	17	36	15	31

Mesures de débit d'air – VNT5070 uniquement (suite)



1

Étapes avant et après l'équilibrage

- Installez le revêtement interne (pare-vapeur) du conduit flexible sur le collier et scellez avec du ruban à conduits, du mastic, etc. Remarque : L'isolation flexible doit être écartée du collier de conduit pour pouvoir accéder aux orifices de pression.
- Procédez aux étapes d'équilibrage décrites ci-dessous.
- Branchez les orifices de pression.
- Tirez l'isolation du conduit flexible sur le collier de conduit et insérez dans le collier double; scellez l'isolation sur le collier de conduit avec du ruban à conduits.

2

Étapes de l'équilibrage

- Mesurez le différentiel de pression sur les orifices haut et bas du flux d'air d'ÉVACUATION à l'aide d'un débitmètre à hélice ou d'un autre manomètre.
- Mesurez le différentiel de pression sur les orifices haut et bas du flux d'air FRAIS à l'aide d'un débitmètre à hélice ou d'un autre manomètre.
- Consultez les débits d'air correspondants sur le tableau de corrélation pression-débit.
- Réglez les débits pour les équilibrer en réglant les vitesses des moteurs de ventilateurs.
- Généralement, le ventilateur présentant le débit d'air le plus élevé est réglé sur le débit d'air du ventilateur présentant le débit d'air le plus bas.
- Les réglages des moteurs sont décrits dans la section précédente.

Entretien

Aux trois mois (ou selon le besoin)



Filtres.

Nettoyez les filtres à l'aide d'un aspirateur (quatre fois par an, ou au besoin). Remplacez les filtres au besoin.

Tous les ans (ou selon le besoin)



Intérieur de l'appareil.

Une fois par an ou au besoin, nettoyez l'intérieur de l'appareil (parois et bac à récupération) avec un savon doux non abrasif. L'utilisation de produits respectueux de l'environnement est recommandée.

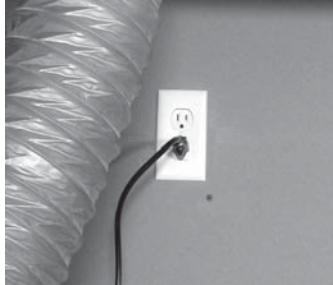
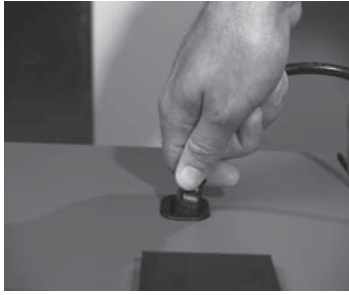


Système à récupération d'énergie (VNT5070E1000, VNT5150E1000 et VNT5200E1000) et système à ventilation à récupération de chaleur (VNT5070H1000, VNT5150H1000, VNT5200H1000, VNT6150H1000 et VNT6200H1000)

Une fois par an ou au besoin, nettoyez les quatre surfaces à l'aide d'un aspirateur; laissez-les tremper pendant 15 minutes dans de l'eau tiède et du savon doux; puis rincez-les à jet d'eau et laissez-les sécher.

REMARQUE : Voir Étapes de nettoyage à la page suivantes pour les points d'entretien ci-dessus.

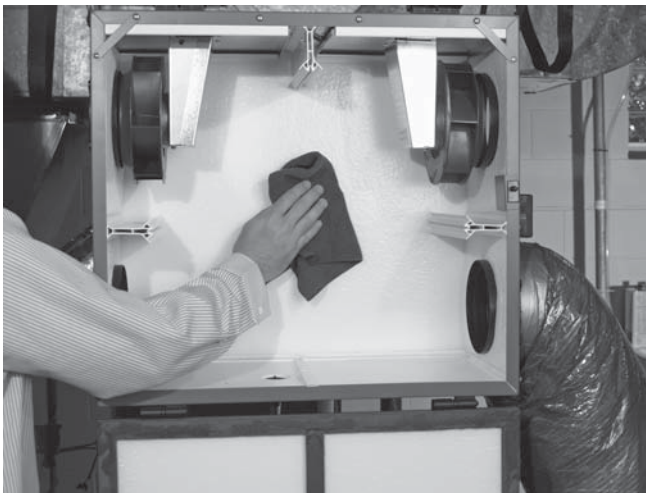
Nettoyage



1. Coupez l'alimentation en c.a. en retirant la fiche enfoncée dans l'appareil ou celle qui est branchée sur la prise de courant.



2. Ouvrez le panneau de porte latérale en ouvrant les deux loquets situés en haut et en abaissant le panneau jusqu'à ce qu'il soit complètement ouvert. Retirez les deux filtres situés en haut, à gauche et à droite du noyau, puis nettoyez-les à l'aide d'un aspirateur. Faites glisser le noyau vers l'extérieur, et nettoyez-le en suivant les directives des pages précédentes.



3. Nettoyez l'intérieur de l'appareil avec un linge humide et essuyez-le une fois que vous avez terminé.



4. Remplacez le noyau et les deux filtres, verrouillez le panneau latéral, puis rétablissez l'alimentation c.a. de l'appareil.

Dépannage



MISE EN GARDE : L'entretien du VRE/VRC et de son système électrique peut entraîner des blessures. Assurez-vous que l'alimentation électrique est débranchée avant d'effectuer toute connexion. Le non-respect de cette directive peut causer une décharge électrique. L'entretien doit être effectué seulement par un technicien qualifié.

Problème	Cause ou symptôme possible	Procédure de test	Solution
<ul style="list-style-type: none"> Unité non alimentée L'unité VRE/VRC ne s'allume pas. Le voyant DEL vert de contrôle de la vitesse ne s'allume pas. 	<ul style="list-style-type: none"> Alimentation principale non activée. Le cordon de l'unité VRE/VRC n'est pas complètement inséré. Unité VRE/VRC ou commande murale en position ARRÊT. Mauvais contact entre les connexions sur le contacteur haute tension, basse tension et de porte. 	<ul style="list-style-type: none"> Vérifiez la connexion de l'alimentation, les fusibles ou les disjoncteurs. Assurez-vous que le cordon d'alimentation est fermement inséré. Assurez-vous que l'unité VRE/VRC et les commandes murales sont sur MARCHÉ. Déconnectez toutes les commandes liées à l'unité. Testez la continuité du cordon d'alimentation de l'unité. 	<ul style="list-style-type: none"> Consultez un technicien certifié pour assurer une installation adéquate de l'alimentation principale. Retirez et réinsérez fermement le cordon d'alimentation. Retirez la porte et localisez la zone où l'interrupteur compresse le joint de la porte. Insérez un bord métallique ou une petite vis derrière le joint de la porte pour assurer un contact adéquat entre l'interrupteur de sûreté de la porte et la porte d'accès. Débranchez l'unité VRE/VRC, retirez le tableau d'accès des montants du moteur et appuyez fermement sur toutes les connexions. Remplacez le cordon d'alimentation c.a.
<ul style="list-style-type: none"> Durant la sélection du moteur sur Commande de vitesse en mode d'équilibrage (arrêt), passe en mode basse vitesse ou en mode INTER une fois que les boutons (+/-) sont pressés. 	<ul style="list-style-type: none"> Le tableau de commande de vitesse ne répond pas. Le mode d'équilibrage est verrouillé. 	<ul style="list-style-type: none"> Débranchez l'unité pendant 30 secondes pour la réinitialiser. Réactivez le mode d'équilibrage, sélectionnez le moteur et appuyez sur les boutons (+/-). 	<ul style="list-style-type: none"> Sur la commande de vitesse, appuyez sur les boutons (+/-) pendant 15 secondes jusqu'à ce que le voyant vert s'allume en continu. Ceci permet de réinitialiser l'unité VRE/VRC au mode d'usine par défaut. <p>Remarque : L'unité doit être de nouveau équilibrée pour maintenir une performance optimale.</p>

Dépannage (suite)

Problème	Cause ou symptôme possible	Procédure de test	Solution
<ul style="list-style-type: none"> L'unité VRE/VRC ne fonctionne qu'à haute vitesse, pas de communication entre l'unité et les commandes murales. Le ventilateur d'alimentation ou d'évacuation de l'unité VRE/VRC ne tourne que sur haute vitesse. 	<ul style="list-style-type: none"> Le déshumidistat des commandes murales est activé. Minuterie T-3 20/40/60 minutes activée. Court-circuit entre les bornes G et R des COMMANDES À DISTANCE sur la commande de vitesse. Câble défectueux entre la commande et l'unité VRE/VRC. Commande murale défectueuse. 	<ul style="list-style-type: none"> Débranchez toutes les commandes murales de l'unité. Assurez-vous que les autres commandes murales ne sont pas en mode d'annulation. Inspectez les fils pour vérifier qu'ils ne sont pas endommagés. Retirez la commande murale et vérifiez-la au niveau de l'unité VRE/VRC. 	<ul style="list-style-type: none"> Assurez-vous que toutes les commandes murales et les connexions de câblage de la commande de vitesse correspondent aux lettres correspondantes. Assurez-vous que les fils ne sont pas court-circuités par des clous, des agrafes ou des vis. Remplacez le circuit électronique de régulation de basse tension, la commande murale et les fils.
<ul style="list-style-type: none"> Le moteur ne fonctionne pas. Panne du moteur. 	<ul style="list-style-type: none"> Carte-circuit électronique de régulation basse tension ou haute tension défectueux. Les connexions ou la séquence des fils ne correspondent pas au schéma de câblage. Condensateur de marche défectueux. 	<ul style="list-style-type: none"> Test de résistance : Débranchez l'unité VRE/VRC et utilisez un multimètre <ul style="list-style-type: none"> Testez la résistance du moteur (fils BLEU et NOIR) du moteur. Elle doit être située entre 33 et 39 ohms. Mesurez ensuite la résistance (fils BLEU et MARRON), qui doit être située entre 56 et 64 ohms. Si la résistance est comprise dans les plages ci-dessus, le moteur est bon. Si le condensateur est gonflé ou déformé, il est très certainement défectueux. Vérifiez l'ampérage des fils vers le condensateur durant le fonctionnement. Si le condensateur est ouvert, aucun ampérage ne sera transmis. Retirez du circuit et vérifiez qu'il n'y a pas de court-circuit (utilisez un ohmmètre uniquement). 	<ul style="list-style-type: none"> Remplacez la carte-circuit électronique de régulation basse tension ou haute tension. Corrigez la connexion défectueuse ou la séquence de câblage en fonction du schéma de câblage. Remplacez le condensateur de marche et/ou le moteur.
<ul style="list-style-type: none"> Voyant DEL clignotant en jaune sur la commande de vitesse. 	<ul style="list-style-type: none"> Thermistance de dégivrage mal connectée au contrôleur de régulation haute tension Thermistance de dégivrage défectueuse 	<ul style="list-style-type: none"> Veillez à bien connecter la thermistance. Retirez le panneau d'accès pour exposer le contrôleur de régulation haute tension et vérifiez que la thermistance de dégivrage est branchée à la borne T2 du contrôleur de régulation haute tension. Débranchez la thermistance de dégivrage du contrôleur de régulation haute tension et vérifiez les valeurs avec un ohmmètre. 	<ul style="list-style-type: none"> Si la thermistance de dégivrage n'est pas connectée, branchez-la dans le contrôleur de régulation haute tension sur les bornes « TEMP SENSOR » (capteur de température). Branchez l'ohmmètre à la borne rouge, et si la valeur indique 0, remplacez la thermistance de dégivrage.

Dépannage (suite)

Problème	Cause ou symptôme possible	Procédure de test	Solution
<ul style="list-style-type: none"> Ventilateur d'évacuation activé. Ventilateur d'alimentation arrêté. 	<ul style="list-style-type: none"> Câblage des ventilateurs incorrect sur le contrôleur de régulation haute tension L'unité est dans sa séquence de dégivrage automatique lorsque la thermistance de dégivrage mesure une température de -5 °C/23 °F. 	<ul style="list-style-type: none"> Débranchez l'unité, retirez le panneau d'accès du ventilateur d'évacuation (montant de moteur droit). Assurez-vous que toutes les connexions du circuit électronique de régulation basse tension ou haute tension correspondent au schéma de câblage et qu'elles sont bien positionnées. Attendez 5 à 10 minutes pour vous assurer que l'unité a terminé la séquence de dégivrage. 	<ul style="list-style-type: none"> Assurez-vous que le câblage correspond au schéma de câblage. Testez la thermistance de dégivrage à l'aide d'un ohmmètre. Assurez-vous que l'unité termine la séquence de dégivrage si la température est inférieure à -5 °C/23 °F.
<ul style="list-style-type: none"> Les minuteries T-3 ne fonctionnent pas, le voyant DEL reste faiblement allumé en vert. Les minuteries T3 ne fonctionnent pas, le voyant DEL d'affichage n'apparaît pas. 	<ul style="list-style-type: none"> Les connexions de câblage des minuteries T-3 ne correspondent pas à la commande de vitesse. (connexions G et B inversées) L'unité VRE/VRC ne fonctionne pas ou ne répond pas. 	<ul style="list-style-type: none"> Débranchez toutes les commandes murales de l'unité. Mettez les connexions R et G de MINUTERIE de la commande de vitesse en dérivation. 	<ul style="list-style-type: none"> Assurez-vous que les connexions de câblage des commandes murales correspondent aux connexions de Speed Control™ (commande de vitesse). <p>(Exemple : B B / G G / R R) (voir la section Commande murale du Guide d'installation.)</p>
L'air est trop sec.	L'air est trop sec.		<ol style="list-style-type: none"> Augmentez le niveau d'humidité sur le déshumidistat. Faites passer la ventilation du mode continu au mode intermittent. Installez un humidificateur.
L'air est trop humide.	L'air est trop humide.		<ol style="list-style-type: none"> Réduisez le niveau d'humidité à l'aide de la commande. Assurez-vous que l'air de votre sèche-linge est évacué vers l'extérieur de la maison. Attendez que les conditions climatiques changent. L'air peut être très humide durant l'été, par exemple. Vérifiez l'équilibrage de votre appareil VRE/VRC (reportez-vous à la procédure d'équilibrage à la page 72).

Liste des modèles et des pièces Honeywell

Liste des modèles Honeywell					
Référence Honeywell	Commande	Type de ventilateur	Référence Honeywell	Commande	Type de ventilateur
VNT5070H1000	Non	VRC	VNT5200H1000	Non	VRC
VNT5070E1000	Non	VRE	VNT5200E1000	Non	VRE
VNT5150H1000	Non	VRC	VNT6150H1000	Non	VRC
VNT5150E1000	Non	VRE	VNT6200H1000	Non	VRC

Liste des pièces (reportez-vous à l'illustration de la page 81 pour obtenir la référence visuelle associée à chaque numéro)

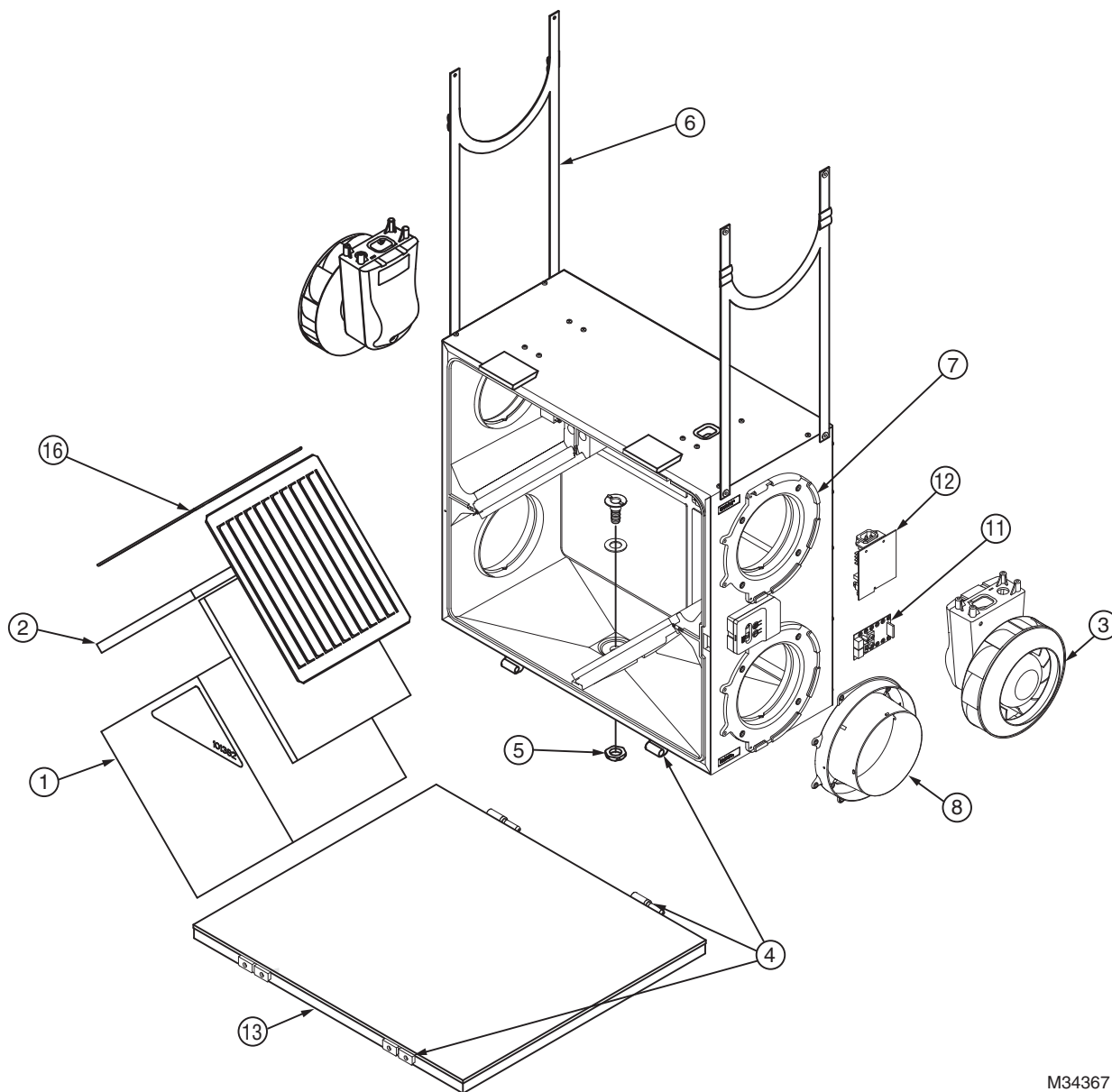
Numéro (illustration)	Description	VNT5070	VNT5150	VNT5200	VNT6150	VNT6200
1	Noyau de l'unité VRC en polypropylène	50063805-001 Noyau de 9 po	50053952-001 Noyau de 10 po	50053952-002 Noyau de 15 po	50053952-001 Noyau de 10 po	50053952-002 Noyau de 15 po
	Noyau de l'unité VRE à enthalpie	50063805-002 Noyau de 9 po	50053952-003 Noyau de 10 po	50053952-004 Noyau de 15 po	N/A	
2	Nécessaire de filtre de rechange	50063805-003	50053952-005	50053952-006	50053952-005	50053952-006
3	Moteur de rechange	50063805-004	50053952-010		VNT6150XIMPEL1	50053952-010
4	Nécessaire de verrou et de charnière	N/A				
5	Nécessaire de raccords de vidange de condensation	N/A				
6	Ensemble de brides de suspension réglables (en option sur le VNT5070)	N/A				
7	Armature en plastique de 6 po de diamètre	N/A				
8	Collet double en plastique de 6 po de diamètre	N/A				
9	Armature en plastique de 5 po de diamètre	50063805-006	N/A			
10	Collier en plastique de 5 po de diamètre	50063805-005	N/A			
11	Carte-circuit électronique de régulation de basse tension de rechange (commande de vitesse)	50063805-010	50053952-012		VNT6150XLVCBD1	VNT6200XLVCBD1
12	Carte-circuit électronique de régulation de haute tension de rechange	50053952-013				
13	Porte d'accès avant	50063805-007	50053952-015			
14	Support de montage	50063805-008	N/A			
15	Hotte de ventilation à matrice	50063805-009	N/A			
16	Plaques de distribution en aluminium	N/A			VNT6150XALPLT1	VNT6200XALPLT1

Liste des pièces (non illustrées)

Numéro de pièce Honeywell	Description
50053952-020	Minuterie de 20/40/60 minutes (compatible avec tous les VRC/VRE)

Illustration des pièces (VNT5150, VNT5200, VNT6150 et VNT6200)

Voir le tableau Liste des pièces à la page 80 : les articles sont référencés par numéros (1 à 16) correspondant aux numéros de la vue éclatée ci-dessous.



M34367

Garantie limitée de 5 ans

Honeywell garantit que ce produit ne présentera aucun défaut de matériaux ou de fabrication dans des conditions normales d'utilisation et d'entretien pour une période de cinq (5) ans à compter de la date de l'achat par le consommateur. Honeywell choisira de réparer ou de remplacer ce produit si celui-ci présente un défaut ou un problème de fonctionnement pendant la période de garantie.

Si ce produit se révèle défectueux,

(i) veuillez le retourner, accompagné de la facture ou d'une autre preuve d'achat avec date, à l'emplacement où vous l'avez acheté; ou

(ii) veuillez communiquer avec notre service à la clientèle au 1-800-468-1502. Le service à la clientèle décidera si un produit de remplacement peut vous être envoyé ou si le produit défectueux doit être retourné à l'adresse suivante : Honeywell Return Goods, Dock 4 MN10-3860, 1885 Douglas Dr. N., Golden Valley, MN 55422.

La présente garantie ne couvre pas les frais de désinstallation ni de réinstallation. Elle ne s'applique pas s'il est démontré par Honeywell que la défectuosité a été causée par un dommage survenu pendant que le produit était en la possession d'un consommateur.

La responsabilité de Honeywell se limite à réparer ou à remplacer le produit sous réserve des conditions énoncées ci-dessus. HONEYWELL NE SAURAIT EN AUCUN CAS ÊTRE TENUE RESPONSABLE DES PERTES NI DES DOMMAGES, Y COMPRIS LES DOMMAGES ACCESSOIRES OU CONSÉCUTIFS DÉCOULANT DIRECTEMENT OU INDIRECTEMENT D'UN MANQUEMENT À TOUTE GARANTIE EXPLICITE OU IMPLICITE OU DE TOUT AUTRE DÉFAUT DE CE PRODUIT. Certains États ou certaines provinces ne permettent pas l'exclusion ou la limitation des dommages accessoires ou consécutifs, de sorte que les exclusions ou les limitations mentionnées ci-dessus peuvent ne pas s'appliquer à vous.

CETTE GARANTIE EST LA SEULE GARANTIE EXPRESSE QUE HONEYWELL OFFRE POUR CE PRODUIT. TOUTE PROTECTION DE GARANTIE IMPLICITE, Y COMPRIS LA GARANTIE IMPLICITE DE QUALITÉ MARCHANDE OU D'ADAPTATION À UN BUT PARTICULIER, EST PAR LA PRÉSENTE LIMITÉE À LA DURÉE DE CINQ ANS DE LA PRÉSENTE GARANTIE. Certains États ou certaines provinces ne permettent pas de restrictions quant à la durée de la garantie, de sorte que les restrictions indiquées ci-dessus pourraient ne pas s'appliquer à vous.

Cette garantie vous confère des droits précis. Il est possible que vous disposiez également d'autres droits, qui varient d'un État ou d'une province à l'autre.

Si vous avez des questions concernant la présente garantie, écrivez à Honeywell Customer Relations, 1985 Douglas Drive, Golden Valley, MN 55422, ou appelez au 1-800-468-1502. .

Solutions de régulation et d'automatisation

Honeywell International Inc.

1985 Douglas Drive North

Golden Valley, MN 55422

<http://yourhome.honeywell.com>

© Marque déposée américaine.
© 2015 Honeywell International Inc.
69-2480EF—13 L.L. Rev. 03-15
Imprimé aux États-Unis.

Honeywell