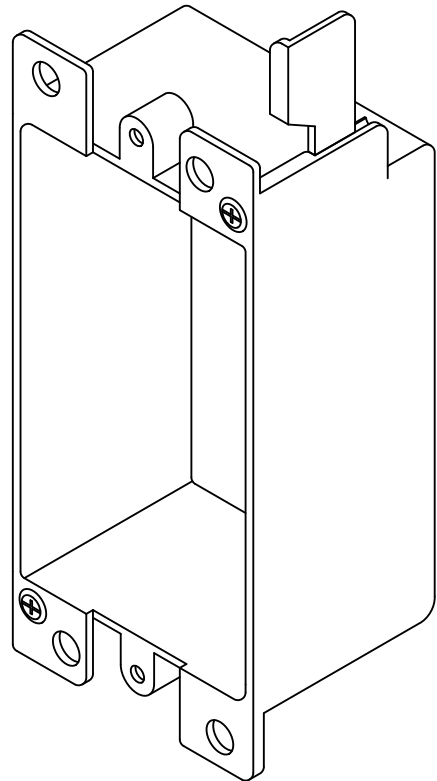
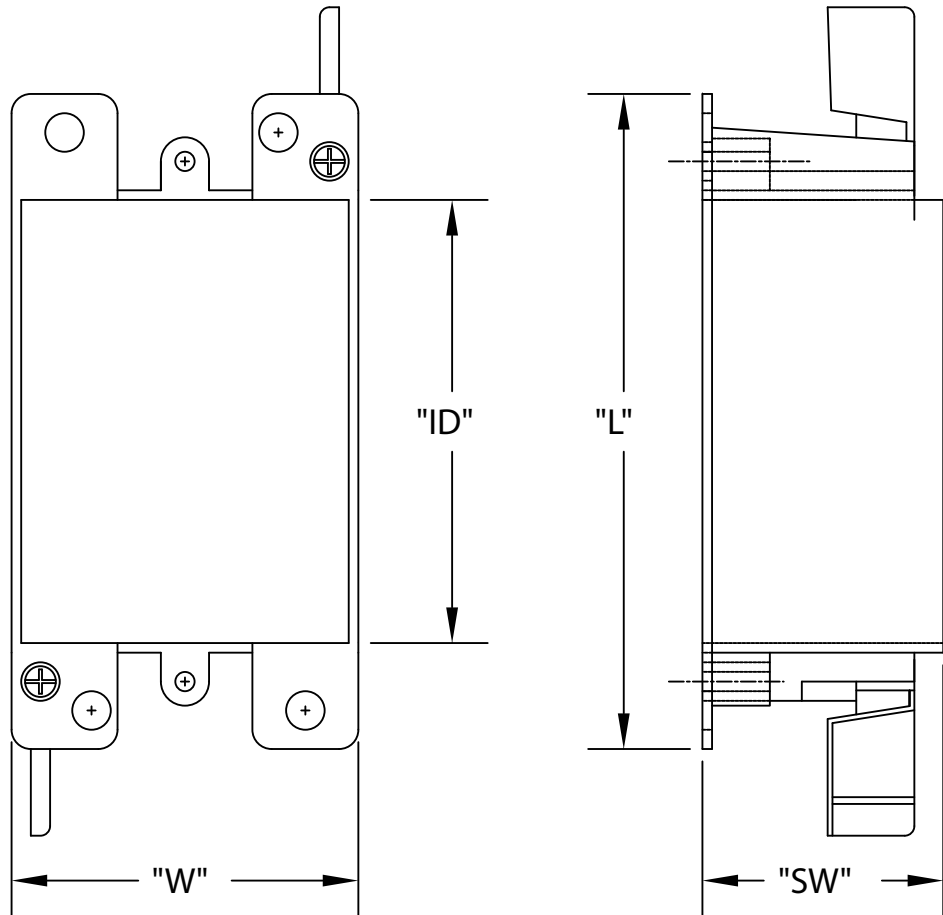


PART NUMBER	SIZE	"L"	"W"	"SW"	"ID"
EZ14SO	2 ¼" x 3" x 2 7/8"	4 1/8 "	2 ¼ "	1 1/16 "	2 7/8"



UL Listed
 UL File # E98429 & R18795
 UL Category Codes QCMZ, QBWY, CEYY
 UL Control Number 39N9
 Material is Rigid PVC
 See NEC Article 314 for use
 Maximum fixture weight 6 lbs.
 2 Hour Wall Fire Rated



CANTEX
 INC.
 Fort Worth, TEXAS

Single Gang EZ 14 cubic inch
 Old Work Switch/Outlet Box

Drawn By: CD Branch

Date: 09/25/07

Ref.