

**SIEMENS**

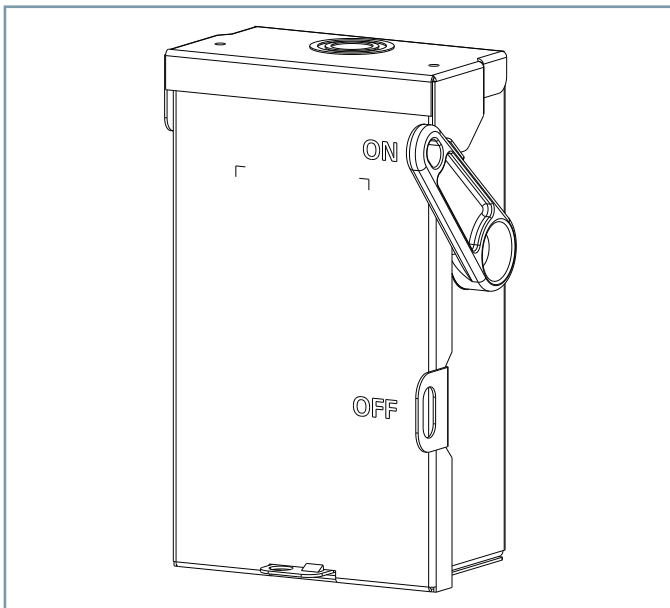
*Ingenuity for life*

Data Sheet

# General Duty Safety Switch

30A 240V, Type 1, Fusible

[usa.siemens.com/switches](http://usa.siemens.com/switches)



## Standards and Ratings

- UL Listed under file #E4776
- Meets UL98 for switches and UL50 for enclosures
- Meets NEMA Standard KS-1 for enclosed switches
- Meets NEC wire bending space requirements
- Suitable for use as service entrance equipment

## Features

- Rated 10,000 AIC with Class K fuses or H fuses or rated 100,000 AIC with Class R fuses
- Double break visible blade design
- Oversized Lugs

# Product Specifications

## General Duty 30A 240V, Type 1

General Information		
Catalog Number	Description	Shipping Weight in lbs. (std. package qty.)
GF221NA	General Duty Enclosed Switch	30 (10)
GF221NAU	General Duty Enclosed Switch Retail Version	3 (1)

Horsepower Ratings					
250V DC		1 Phase, 240V AC		3 Phase, 240V AC	
Standard	Max	Standard	Max	Standard	Max
5	–	1.5	3	3	7.5

Accessories & Hub Kits	
Catalog Number	Description
HG61234 ②	Ground Lug Kit 30-200A
HR21A	R Fuse Kit

Wire Torque Information		
Application	Wire Size	Nominal Torque
Mechanical Lug - Line / Load Wire Connector ③	14 -10 AWG	35 lb.-in.
	8 AWG	40 lb.-in.
Mechanical Lug - Neutral Wire Connector ③	14 -10 AWG	20 lb.-in.
	8 AWG	25 lb.-in.

Mechanical Lug Wire Ranges ②		
Description	Wire Range with Wire Bending Space per NEC® requirements	Lug Wire Range
Line and Load Terminals	14 - 8 AWG	14 - 2 AWG
Neutral	14 - 8 AWG	14 - 4 AWG

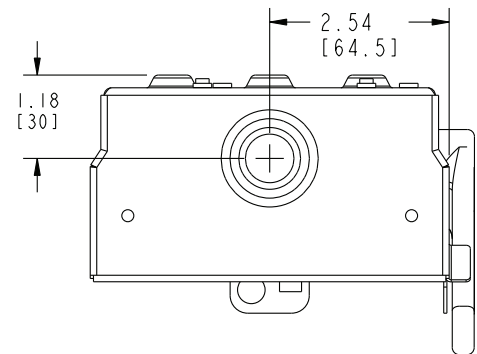
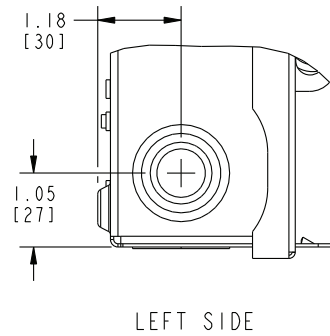
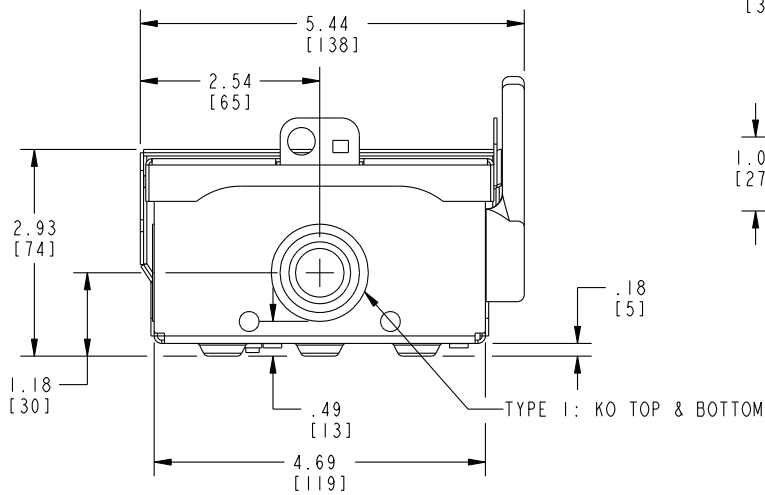
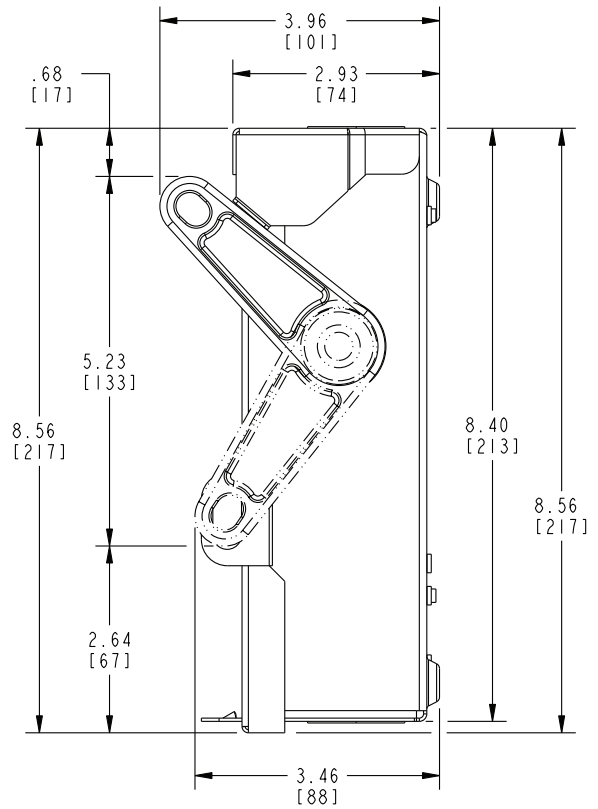
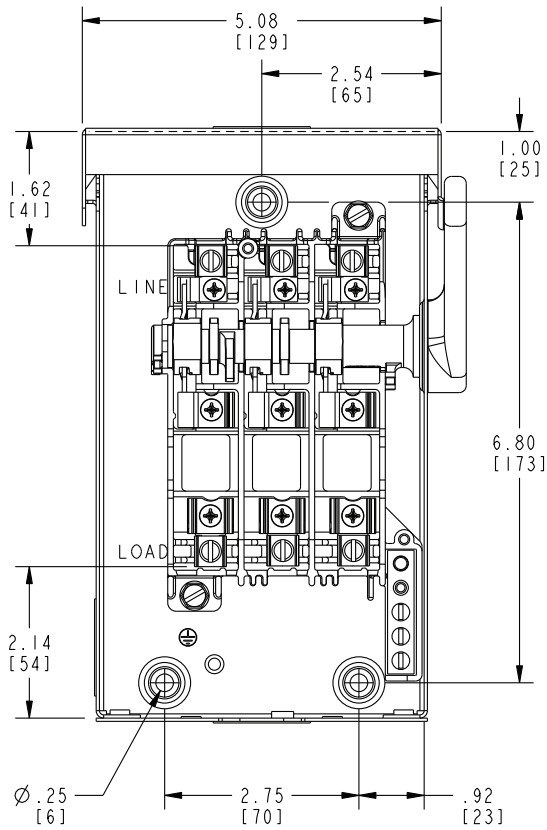
① Use closure plate screws provided to mount hubs.

② See "Wire Torque Information" table for specific wire torque values.

③ Use Cu/Al 60°/75° C Wire.

# Dimension Drawing

## General Duty 30A 240V, Type 1



TYPE I ENCLOSURES:  
 COLD ROLLED STEEL  
 .045" THICK  
 FINISH: ANSI GREY #61 PAINT

WIRE BEND (LINE): 1.5"  
 WIRE BEND (LOAD): 2.0"

CONCENTRIC KO CONDUIT SIZES:  
 1/2", 3/4", 1"

**Published by  
Siemens 2019**

Siemens Industry, Inc.  
5400 Triangle Parkway  
Norcross, GA 30092

Siemens Technical Support: 1-800-333-7421  
info.us@siemens.com

Printed in USA-CP  
Order No. SSFL-GF312-0219  
All Rights Reserved  
© 2019, Siemens Industry, Inc.  
[usa.siemens.com/switches](http://usa.siemens.com/switches)

The technical data presented in this document is based on an actual case or on as-designed parameters, and therefore should not be relied upon for any specific application and does not constitute a performance guarantee for any projects. Actual results are dependent on variable conditions. Accordingly, Siemens does not make representations, warranties, or assurances as to the accuracy, currency or completeness of the content contained herein. If requested, we will provide specific technical data or specifications with respect to any customer's particular applications. Our company is constantly involved in engineering and development. For that reason, we reserve the right to modify, at any time, the technology and product specifications contained herein.