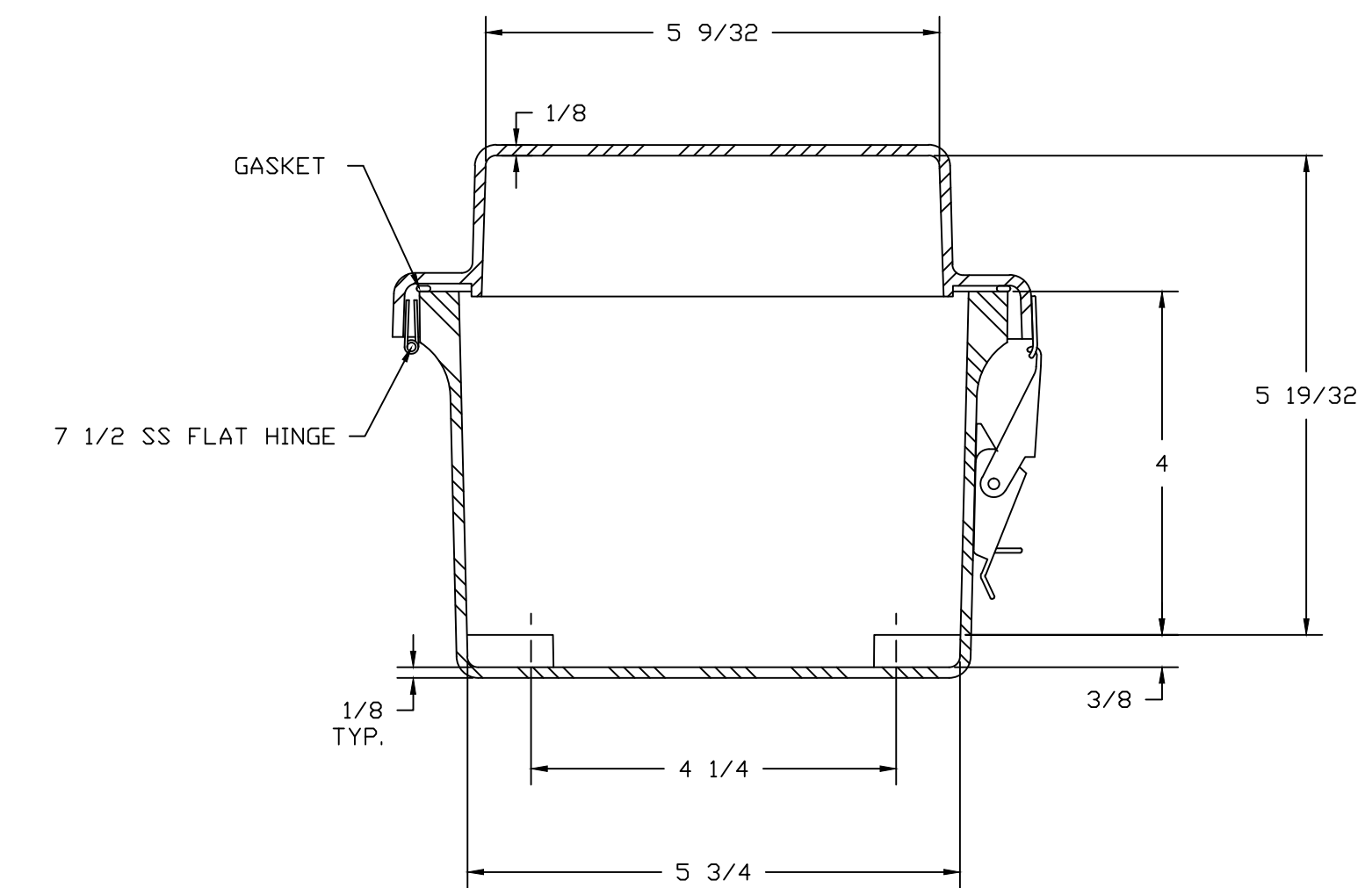
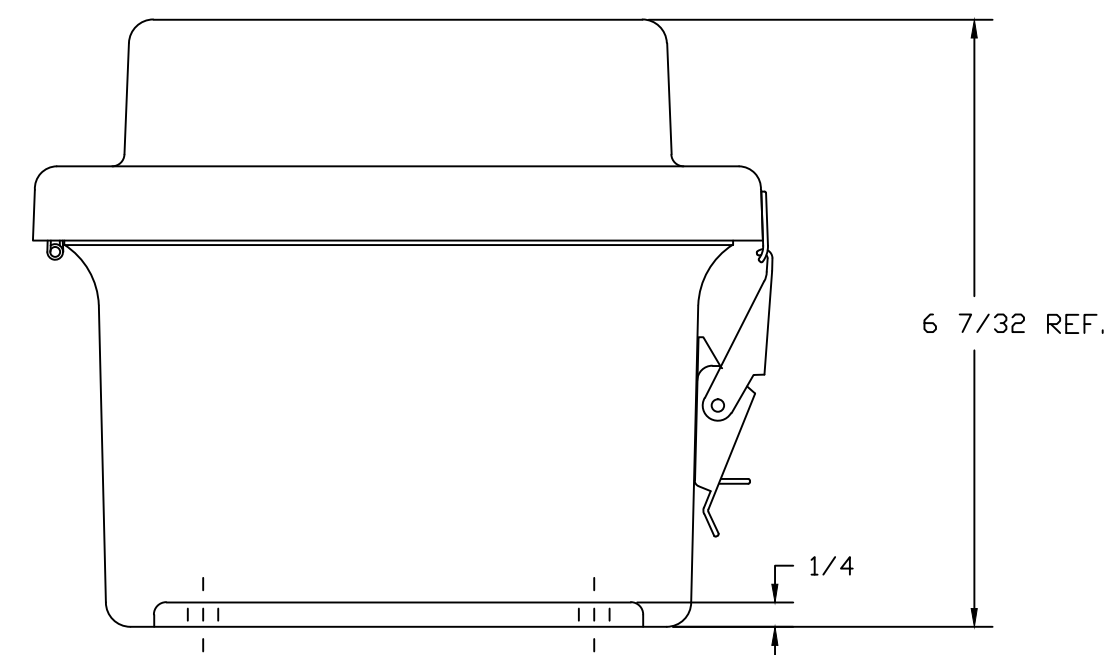



SECTION B-B



SECTION A-A

NOTES:

| | | | | | |
|----------------------------|---------------------------|-----------------------------|----|----------------|-------------------|
| NEMA 4X | | TOLERANCES UNLESS SPECIFIED | | DECIMAL ± .010 | FRACTIONAL ± 1/32 |
| COLD R GLACIER GRAY RR1013 | | | | | |
| MATERIAL | F.R. POLYESTER FIBERGLASS | DR. BY | SH | DATE | 7/8/91 |
| LET. | REVISION RECORD | DATE | BY | CHK. BY | DATE |
| | | | | APD. BY | DATE |
| | | SCALE | | PART NAME | PART NO. |
| | | DO NOT SCALE | | ENCLOSURE | RJ806HPL |



STAHLIN
ENCLOSURES
DIVISION OF ROBROY INDUSTRIES

BELDING, MICHIGAN
48809

AutoCAD DWG. FILE
RJ806HPL