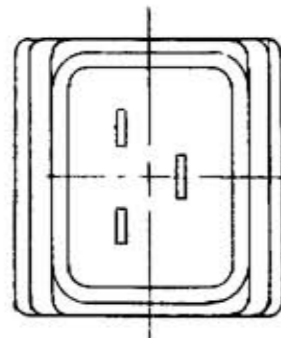
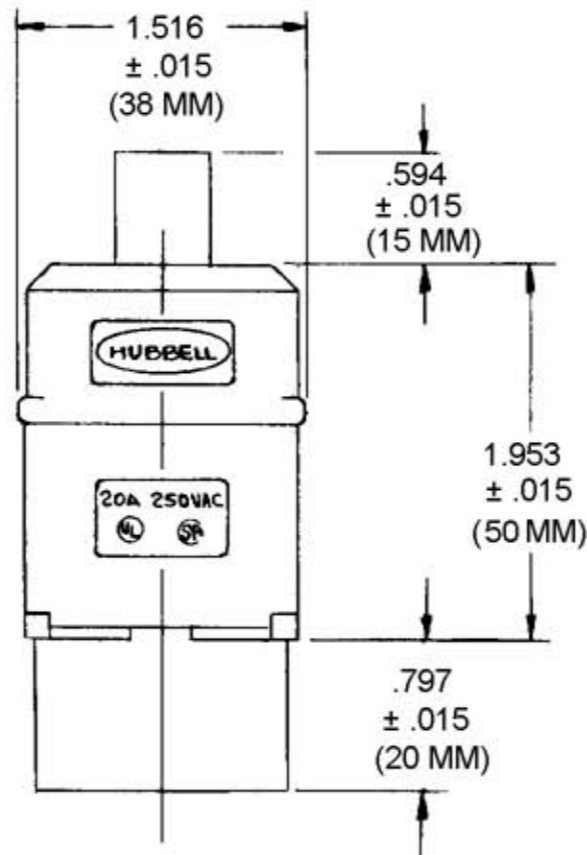
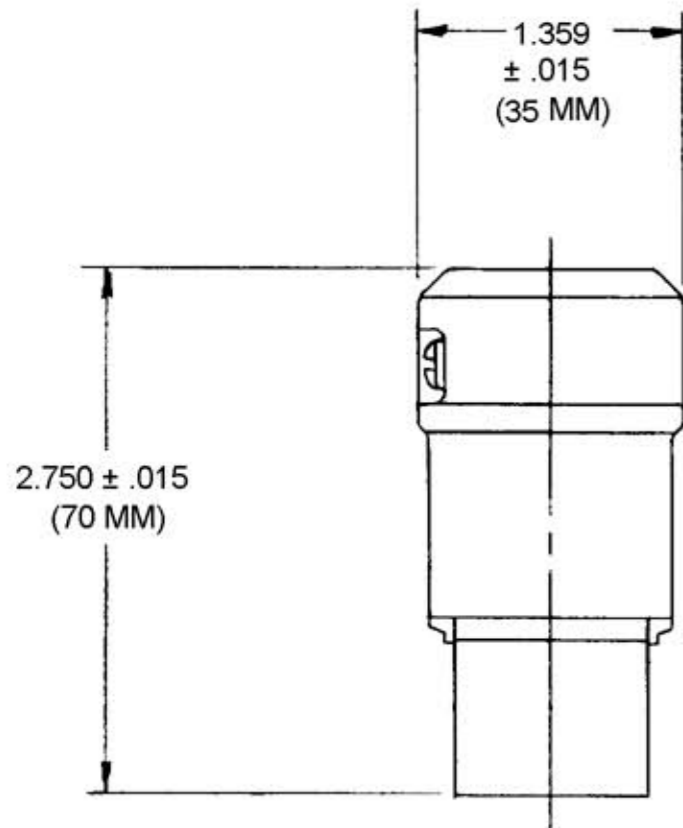


M-6800 3



| LIST OF PARTS | | |
|-------------------|------------|-------------|
| DESCRIPTION | MATERIAL | FINISH |
| HOUSING | NYLON | BLACK |
| GROUND BLADE | BRASS | |
| POWERBLADE | BRASS | |
| WIRE CLAMPING NUT | STEEL | NICKEL PL. |
| BINDING SCREW | STAIN. ST. | COPPER TINT |
| GR. BINDING SCREW | STAIN. ST. | GREEN |
| CORD GUARD | RUBBER | BLACK |
| CORD CLAMP SCREW | STEEL | ZINC PL. |
| | | |
| | | |
| | | |
| | | |
| | | |
| | | |
| | | |

DIMENSION SHEET FOR CAT. NO. H 320 P

REPAIRABLE NON-REPAIRABLE

CORD ACCOMMADATION
NORTH AMERICAN
 16/3 SJ - 12/3 SJ (.325 - .475 DIA.)
INTERNATIONAL (HAR CORD)
 3X1.5MM² - 3-2.5MM² (8MM-12MM DIA.)

CAT. NO H320P

TITLE
20/16A 250V A.C. THREE-WIRE
I.E.C. STRAIGHT BLADE VALISE
PLUG

| SYM | REVISIONS | APP | DATE |
|-----|--|------|---------|
| 3 | 1.359 +/- .015 (35 MM) DIM WAS 1.516 +/- .015 (38 MM), 1.953 +/- .015 (50 MM) DIM WAS 1.953 +/- .015 (49 MM). PER DCN11793 GDR CJC | | 6/15/04 |
| 2 | CONVERTED ALL DIMS TO 3 PL DECIMAL & TOL ADDED PER DCN #7772 AMZ DB | | 7-11-00 |
| 1 | POWER BLADE WAS COPPER BLADE BINDING WAS BLACK | S.L. | 12-7-89 |

THE DESIGN AND DIMENSIONS OF THE PRODUCT SHOWN ON THIS DRAWING ARE SUBJECT TO CHANGE WITHOUT NOTICE.

TOLERANCES UNLESS OTHERWISE SPECIFIED
 FRACTIONS ± 1/64
 DECIMALS ± .005
 ANGLES ± 2°

WIRING DEVICE DIVISION
HARVEY HUBBELL, INC.
 BRIDGEPORT, CONN.
 DR. BY AJL APP. BY _____
 TR. BY _____ SCALE 1:1
 CHK'D. BY _____ DATE 6-14-89

CODE 74545

B M-6800 3