

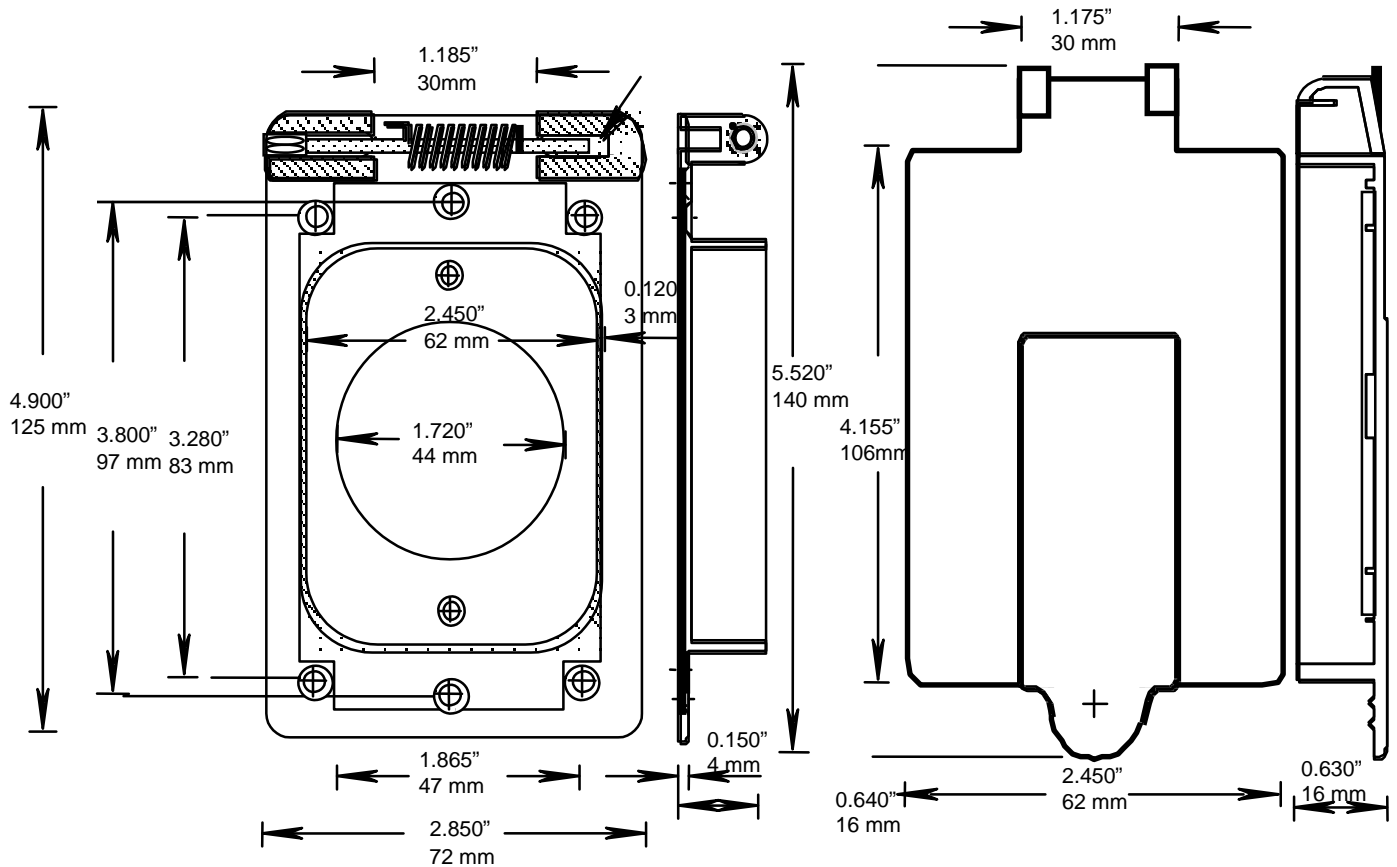
RIGID PVC CONDUIT FITTINGS

WTL30 SINGLE GANG SINGLE RECEPTACLE
30 AMP COVERS, 077991

ISSUE DATE:
DATE D'EMISSION: 2007 06 30

SUPERCEDES:
REPLACE: 2001 02 28

2



PARTS LIST:

- 072837 (1), W SERIES BASE GASKET
- 072836 (1), W SERIES COVER GASKET
- 072519 (4), 6-32 X 17/32 OVAL SLOT SCREWS
- 072544 (1), BRASS HINGE PINS
- 072548 (1), TORSION SPRING