

# D322NRB

Safety switch, general duty, fusible, 60A, 3 poles, 15 hp, 240 VAC, NEMA 3R, bolt-on provision, neutral factory installed



## Main

Product	Single Throw Safety Switch
Current Rating	60 A
Certifications	UL listed file E2875
Enclosure Rating	NEMA 3R
Disconnect Type	Fusible disconnect switch
Factory Installed Neutral	Neutral (factory installed)
Short Circuit Current Rating	100 kA maximum depending on fuse H, K or R
Mounting Type	Surface
Number of Poles	3
Electrical Connection	Lugs
Duty Rating	General duty
Voltage Rating	240 V AC
Wire Size	AWG 12...AWG 3 aluminium AWG 14...AWG 3 copper

## Complementary

Maximum Horse Power Rating	1.5 Hp 120 V AC 60 Hz 1 phase NEC 240.6 3 Hp 120 V AC 60 Hz 3 phase NEC 430.52 3 Hp 240 V AC 60 Hz 1 phase NEC 240.6 7.5 Hp 240 V AC 60 Hz 3 phase NEC 240.6 10 Hp 240 V AC 60 Hz 1 phase NEC 430.52 15 hp 240 V AC 60 Hz 3 phase NEC 430.52
Maximum Width	7.45 in (189.23 mm)
Maximum Height	14.88 in (377.95 mm)
Maximum Depth	4.87 in (123.70 mm)
Tightening torque	35 Lbf.In (3.95 N.m) 0.00...0.01 in <sup>2</sup> (2.08...5.26 mm <sup>2</sup> ) AWG 14...AWG 10) 35 Lbf.In (3.95 N.m) AWG 14...AWG 10) 45 Lbf.In (5.08 N.m) 0.01 in <sup>2</sup> (8.37 mm <sup>2</sup> ) AWG 8) 45 Lbf.In (5.08 N.m) 0.02...0.03 in <sup>2</sup> (12.3...21.12 mm <sup>2</sup> ) AWG 6...AWG 4) 50 lbf.in (5.65 N.m) 0.04 in <sup>2</sup> (26.67 mm <sup>2</sup> ) AWG 3)

## Ordering and shipping details

Category	00106 - D & DU SW,NEMA3R, 30-200A
Discount Schedule	DE1A
GTIN	00785901461289
Nbr. of units in pkg.	1
Package weight(Lbs)	8.54 lb(US) (3.87 kg)
Returnability	Yes
Country of origin	US

## Packing Units

Unit Type of Package 1	PCE
Package 1 Height	5.20 in (13.208 cm)
Package 1 width	7.80 in (19.812 cm)
Package 1 Length	16.30 in (41.402 cm)
Unit Type of Package 2	PAL
Number of Units in Package 2	120

Package 2 Weight	1056.00 lb(US) (478.993 kg)
Package 2 Height	46.00 in (116.84 cm)
Package 2 width	40.00 in (101.6 cm)
Package 2 Length	48.00 in (121.92 cm)

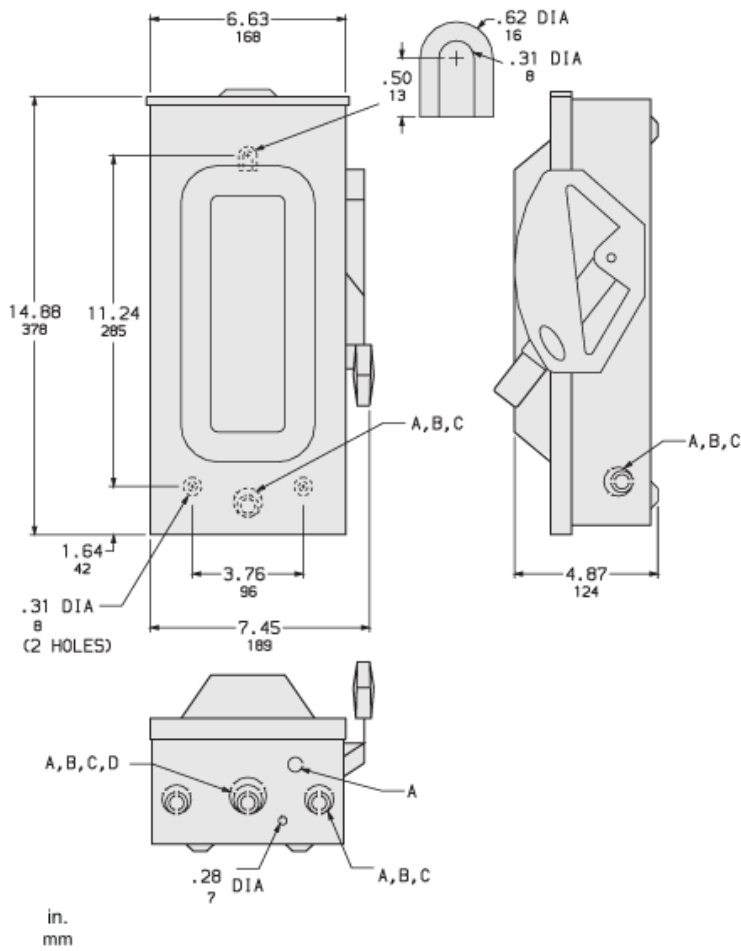
### Offer Sustainability

Sustainable offer status	Green Premium product
REACH free of SVHC	Yes
EU RoHS Directive	Compliant <a href="#">EU RoHS Declaration</a>
Mercury free	Yes
RoHS exemption information	<a href="#">Yes</a>
China RoHS Regulation	<a href="#">China RoHS Declaration</a>
Environmental Disclosure	<a href="#">Product Environmental Profile</a>
PVC free	Yes

### Contractual warranty

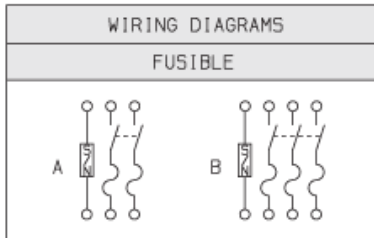
Warranty	18 months
----------	-----------

Approximate Dimensions



KNOCKOUTS				
SYMBOL	CONDUIT SIZE		DIAMETER	
	IN	MM	IN	MM
A	.50	13	.88	22
B	.75	19	1.13	29
C	1.00	25	1.38	35
D	1.25	32	1.75	45

Connections and Wiring Diagrams



TERMINAL LUGS †			
AMPERES	MAX. WIRE	MIN. WIRE	TYPE
60	# 3 AWG	# 14 AWG	CU OR AL

† LUGS SUITABLE FOR 60°C OR 75°C CONDUCTORS.

CATALOG NUMBER	VOLTAGE RATINGS	WIRING DIAG.	AMPERE RATING	HORSEPOWER RATINGS			
				240VAC			
				STD.		MAX.	
				1 Ø	3 Ø	1 Ø	3 Ø
D222NRB	240VAC	A	60	3	7.50 ●	10	15 ●
D322NRB	240VAC	B	60	3 ✱	7.50	10	15

✱ USE OUTER SWITCHING POLES.

● FOR CORNER GROUNDED DELTA SYSTEMS ONLY.