

LED



createchange



FEATURES

- LED Enclosed and Gasketed
- Long life 60,000 hour LEDs at L80 for reduced maintenance
- Four LED color choices and 80 CRI
- IP66 all sizes when ordered with standard polyacetal (POM) latches
- IP65 all sizes, IP67 4' and 8'
- Available in 2', 4', or 8' lengths
- NEMA 4X housing
- Fiberglass housing with F1 weatherability rating, standard
- Smooth housing for easy cleaning
- Gasket is non-porous to ensure seal
- Impact modified acrylic lens equivalent to 100% DR
- Wide range of lens selections
- Lens firmly secured with tamper resistance ready polyacetal (POM) latches
- Stainless steel latching optional
- ControlScope® compatible
- Drivers include minimum 2.5kV surge protection
- UL Sanitation Certified per NSF Standards
- Removable gear tray electrical access for modular replaceability
- Emergency battery pack installed, optional on most models
- -20°C up to +50°C ambient operation; see table provided for details
- DLC® (DesignLights Consortium) Qualified, with some Premium Qualified configurations - see www.designlights.org
- Includes surface mounting brackets
- Occupancy and/or daylight sensing accessories available
- Five year warranty

PROJECT INFORMATION

Project Name _____

Type _____

Catalog No. _____

Date _____

CONSTRUCTION

Housing is formed from UL 5VA fiberglass. F1 weatherability rating, suitable for indoor or outdoor use with respect to exposure to UV light. LED affixed to removable heat sinked gear tray. 14 Latches per 8', 8 per 4', 6 per 2'. Latches are provided tamper resistance ready, tamper resistant screws by others. Latches are standard polyacetal (POM), optional in stainless steel. Access openings are provided for electrical connection.

SHIELDING

Lineal ribbed frosted acrylic lens impact modified equivalent to 100% DR; modification adds flexibility to reduce impact breakage compared to standard acrylic formulations. Optional ribbed polycarbonate lens or deep acrylic. All lenses available in clear or frost.

FINISH

White painted parts are treated with a five-stage phosphate bonding process and finished with high reflectance baked enamel.

ELECTRICAL

Long-life LEDs are rated for 60,000 hours at L80 lumen maintenance. Extra High Lumen packages (XL) rated L70 at 60,000 hours. Driver options include fixed output for on/off function, step dimming⁶ (high/low/off) or continuous 0-10V dimming. QR code label affixed to housing for easy traceability.

MOUNTING

Use flexible conduit only.

CERTIFICATION

All luminaires are built to UL 1598 and 2108 standards, and bear appropriate CSA labels. Ingress protection IP65 and IP67 standard. UL Sanitation Certified per NSF Standards. Wet location labeling is standard. Emergency-equipped fixtures built to UL 924. DLC® (DesignLights Consortium) Qualified, with some Premium Qualified configurations. Please refer to the DLC website for specific product qualifications at www.designlights.org.

WARRANTY

Five year warranty (Terms and Conditions Apply).

ORDERING INFORMATION

EXAMPLE LXEM4-35HL-RFA-EDU

LXEM

MODEL	COLOR TEMP	SHIELDING	DRIVER	VOLTAGE	OPTIONS	
LXEM LED Enclosed and Gasketed	30 3000K 35 3500K 40 4000K 50 5000K	RFA Ribbed Frosted Acrylic RA Ribbed Clear Acrylic ¹¹ DFA Deep Frosted Acrylic DCA Deep Clear Acrylic ¹¹ RFP Ribbed Frosted Polycarbonate ⁵ RP Ribbed Clear Polycarbonate ^{5,11}	E Fixed Output ESD Step Dimming ⁶ ED 0-10V Dimming ED1 0-10V 1% Dimming ⁶	U 120V-277V 347 347V	GLR Fast Blow Fuse SSL Stainless Steel Tamper Resistance Ready Latches TP Tamper Proof Latches ELL14 Emergency Battery Pack Installed, 1400 Lumens ^{3,6,7} F3C8W 3 Wire 8' Wet Cord F3C15W 3 Wire 15' Wet Cord F4C8W 4 Wire 8' Wet Cord F4C15W 4 Wire 15' Wet Cord F5C8W 5 Wire 8' Wet Cord F5C15W 5 Wire 15' Wet Cord F6C6W 6 Wire 6' Wet Cord SWH Single Wet Hub 1/2" NPT Hub DWH Dual Wet Hub 1/2" NPT Hub ZRE ControlScope® compatible ^{2,9}	
SIZE	LUMEN OUTPUT	ACCESSORIES (ORDER SEPARATELY)				
2 2' ^{1,2,3,4} 4 4' 8 8'	VW Very Low Watt LW Low Watt ML Medium Lumen HL High Lumen VL Very High Lumen XL Xtra High Lumen ²	XEDPM Dual Pendant Brackets (pendant by others) ⁸ XEHC Chain Hanger Kit (Includes 14" Chain) XE45MB 45° Mounting Bracket ¹⁰ XE45MBSS 45° Stainless Steel Mounting Bracket ¹⁰				
SENSOR KITS (Order Separately)						
All sensor kits include Occupancy & Daylight. Daylight activation requires setting of dip-switches on site.						
		Catalog #	# Relays	Lens Type	Voltage	Wet Label
120V/ 277V		OS1360WLK	1	360°	120/277	Yes
		OS2360WLK	2	360°	120/277	Yes
		OS1AWLK	1	Aisle	120/277	Yes
		OS2AWLK	2	Aisle	120/277	Yes

¹ VL and XL not available in 2' size.

² Not available with battery pack.

³ Not available with XL lumen package.

⁴ Not available with VL lumen package.

⁵ 2' and 4' only. 8' not available.

⁶ See table for availability.

⁷ Not available in 347V.

⁸ Requires 3/8" OD threaded rod by others.

⁹ Registered trademark of Daintree Networks, used by permission.

¹⁰ 2 required for 8' fixture.

¹¹ Clear lenses (RA, DCA and RP) may cause noticeable light patterns on lit surfaces. See ies files for exact distribution.

PHOTOMETRIC DATA

Test# 17905 Test Date 10/13/2016

LUMINAIRE DATA

Luminaire	LXEM4-50ML-RFA-EDU LXEM LED Enclosed and Gasketed, Extreme Environment 7" x 51" LED with frosted ribbed acrylic lens
Ballast	XI040C110V054BST1
Ballast Factor	1.00
Lamp	LED
Fixture Lumens	5306
Watts	42.00
Mounting	Surface
Shielding Angle	0° = 90 90° = 90
Spacing Criterion	0° = 1.24 90° = 1.40
Luminous Opening in Feet	Length: 4.00 Width: 0.54 Height: 0.17

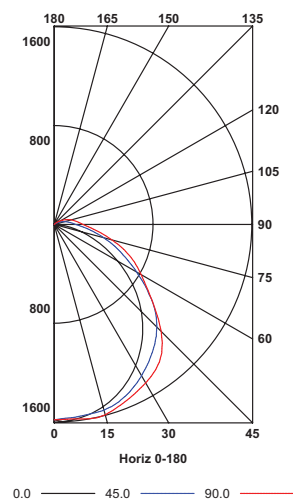
ZONAL LUMEN SUMMARY

Zone	Lumens	% Lamp	% Fixt.
0-30	1268	23.9	23.9
0-40	2105	39.7	39.7
0-60	3766	71.0	71.0
0-90	5025	94.7	94.7
0-180	5306	100.0	100.0

ENERGY DATA

Total Luminaire Efficiency	100%
Total Lumens per Watt	126
ANSI/IESNA RP-1-2004 Compliance	Noncompliant
Comparative Yearly Lighting Energy Cost per 1000 Lumens	\$1.90 based on 3000 hrs. and \$0.08 per KWH

INDOOR CANDELA PLOT



LUMINAIRE DATA

Luminaire	LXEM4-40HL-DFA-EDU LXEM LED Enclosed and Gasketed, Extreme Environment 7" x 51" LED with deep frosted acrylic lens
Ballast	XI054C150V054BST1
Ballast Factor	1.00
Lamp	LED
Fixture Lumens	6525
Watts	47.30
Mounting	Surface
Shielding Angle	0° = 90 90° = 90
Spacing Criterion	0° = 1.25 90° = 1.28
Luminous Opening in Feet	Length: 4.00 Width: 0.54 Height: 0.29

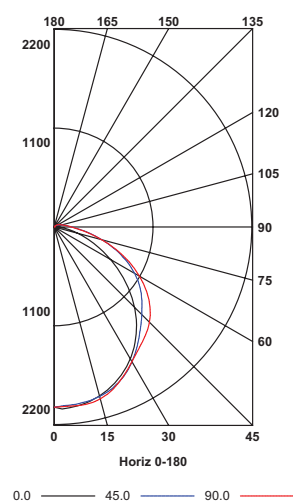
ZONAL LUMEN SUMMARY

Zone	Lumens	% Lamp	% Fixt.
0-30	1583	24.3	24.3
0-40	2594	39.8	39.8
0-60	4661	71.4	71.4
0-90	6235	95.6	95.6
0-180	6525	100.0	100.0

ENERGY DATA

Total Luminaire Efficiency	100%
Total Lumens per Watt	138
ANSI/IESNA RP-1-2004 Compliance	Noncompliant
Comparative Yearly Lighting Energy Cost per 1000 Lumens	\$1.73 based on 3000 hrs. and \$0.08 per KWH

INDOOR CANDELA PLOT



Test# 17989 Test Date 10/10/2016

LUMINAIRE DATA

Luminaire	LXEM4-50XL-RA-EDU LXEM LED Enclosed and Gasketed, Extreme Environment 7" x 51" LED with ribbed clear acrylic lens
Ballast	XI040C110V054BST1
Ballast Factor	1.00
Lamp	LED
Fixture Lumens	10607
Watts	91.40
Mounting	Surface
Shielding Angle	0° = 90 90° = 90
Spacing Criterion	0° = 1.21 90° = 1.38
Luminous Opening in Feet	Length: 4.00 Width: 0.54 Height: 0.17

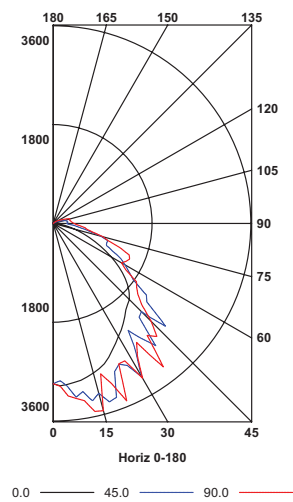
ZONAL LUMEN SUMMARY

Zone	Lumens	% Lamp	% Fixt.
0-30	2547	24.0	24.0
0-40	4252	40.1	40.1
0-60	7643	72.1	72.1
0-90	10073	95.0	95.0
0-180	10607	100.0	100.0

ENERGY DATA

Total Luminaire Efficiency	100%
Total Lumens per Watt	116
ANSI/IESNA RP-1-2004 Compliance	Noncompliant
Comparative Yearly Lighting Energy Cost per 1000 Lumens	\$2.05 based on 3000 hrs. and \$0.08 per KWH

INDOOR CANDELA PLOT



Test# 18012 Test Date 10/18/2016

Driver Availability							
LENGTH	OUTPUT	NOMINAL LUMEN RANGE	ESD Available	ED1 Available	347v Available	347 with ESD Available	347 with ED1 Available
2'	VW	2,145 - 2,708	Y	Y	Y	N/A	Y
	LW	2,738 - 3,529	Y	Y	Y	N/A	Y
	ML	3,862 - 4,921	Y	Y	Y	N/A	Y
	HL	4,254 - 5,416	Y	Y	Y	N/A	Y
4'	VW	2,802 - 3,433	Y	Y	Y	N/A	Y
	LW	3,726 - 4,922	Y	Y	Y	N/A	Y
	ML	4,533 - 5,646	Y	Y	Y	N/A	Y
	HL	5,449 - 6,763	Y	Y	Y	N/A	Y
	VL	7,086 - 8,415	Y	Y	Y	N/A	N/A
	XL	9,059 - 11,237	N/A	Y	Y	N/A	N/A
8'	VW	6,078 - 6,866	Y	Y	Y	N/A	Y
	LW	8,095 - 9,276	Y	Y	Y	N/A	Y
	ML	9,844 - 11,293	Y	Y	Y	N/A	Y
	HL	11,851 - 13,525	Y	Y	Y	N/A	Y
	VL	14,747 - 16,830	Y	Y	Y	N/A	N/A
	XL	19,558 - 22,473	N/A	Y	Y	N/A	N/A

MAX. AMBIENT OPERATING TEMP.							
LENGTH	OUTPUT	NOMINAL LUMEN RANGE	WATTS	LPW	MAX AMBIENT OPERATING TEMPERATURE (C°) (UNIVERSAL VOLTAGE)	ELL14 (WITH UNIVERSAL VOLTAGE)	347v
2'	VW	2,145 - 2,708	21	102 - 130	40	NA	35
	LW	2,738 - 3,529	26	105 - 135	40	NA	35
	ML	3,862 - 4,921	39	100 - 128	40	NA	35
	HL	4,254 - 5,416	44	97 - 123	35	NA	30
4'	VW	2,802 - 3,433	25	114 - 141	50	45	45
	LW	3,726 - 4,922	33	112 - 139	50	45	45
	ML	4,533 - 5,646	42	108 - 134	50	45	45
	HL	5,449 - 6,763	47	115 - 143	45	45	35
	VL	7,086 - 8,415	62	115 - 136	40	40	35
	XL	9,059 - 11,237	92	99 - 123	30	NA	25
8'	VW	6,078 - 6,866	49	124-141	50	45	45
	LW	8,095 - 9,276	67	122 - 139	50	45	45
	ML	9,844 - 11,293	84	117 - 134	50	45	45
	HL	11,851 - 13,525	95	125 - 143	45	45	35
	VL	14,747 - 16,830	123	120 - 136	40	40	35
	XL	19,558 - 22,473	183	107 - 123	30	NA	25

		LXEM PREDICTED LIFE			LUMEN MAINTENANCE		
CALCULATED HOURS	LENGTH	OUTPUT	NOMINAL LUMEN RANGE	AMBIENT OPERATING TEMPERATURE (C°)	L70	L80	L90
	2'	VW	2,145 - 2,708	25	393,000	245,000	115,000
				40	207,000	128,000	58,000
		LW	2,738 - 3,529	25	393,000	245,000	115,000
				40	207,000	128,000	58,000
		ML	3,862 - 4,921	25	282,000	174,000	79,000
				40	207,000	128,000	58,000
	HL	4,254 - 5,416	25	232,000	143,000	65,000	
			35	175,000	105,000	42,000	
	4'	VW	2,802 - 3,433	25	322,000	198,000	90,000
50				257,000	159,000	72,000	
LW		3,726 - 4,922	25	322,000	198,000	90,000	
			50	257,000	159,000	72,000	
ML		4,533 - 5,646	25	322,000	198,000	90,000	
			50	257,000	159,000	72,000	
HL		5,449 - 6,763	25	322,000	198,000	90,000	
			45	282,000	174,000	79,000	
VL		7,086 - 8,415	25	322,000	198,000	90,000	
			40	228,000	140,000	63,000	
XL		9,059 - 11,237	25	266,000	164,000	74,000	
			30	240,000	148,000	67,000	
8'	VW	6,078 - 6,866	25	322,000	198,000	90,000	
			50	257,000	159,000	72,000	
	LW	8,095 - 9,276	25	322,000	198,000	90,000	
			50	257,000	159,000	72,000	
	ML	9,844 - 11,293	25	322,000	198,000	90,000	
			50	257,000	159,000	72,000	
	HL	11,851 - 13,525	25	322,000	198,000	90,000	
			45	282,000	174,000	79,000	
	VL	14,747 - 16,830	25	322,000	198,000	90,000	
			40	228,000	140,000	63,000	
	XL	19,558 - 22,473	25	266,000	164,000	74,000	
			30	240,000	148,000	67,000	

PRODUCT AVAILABILITY

Lumen Package	Output	Color	Lens	Lumens	Watts	LPW	Max Ambient Operating Temp
LXEM2-30VW-RFP-EDU	Very Low Watt	30K	RFP	2,145	21.1	101.6	40°C
LXEM2-30VW-RA-EDU			RA	2,365	20.8	113.7	40°C
LXEM2-30VW-RP-EDU			RP	2,373	20.8	114.1	40°C
LXEM2-30VW-RFA-EDU			RFA	2,448	20.8	117.7	40°C
LXEM2-30VW-DFA-EDU			DFA	2,467	20.8	118.6	40°C
LXEM2-30VW-DCA-EDU			DCA	2,512	20.8	120.8	40°C
LXEM2-35VW-RFP-EDU		35K	RFP	2,217	21.1	105.1	40°C
LXEM2-35VW-RA-EDU			RA	2,446	20.8	117.6	40°C
LXEM2-35VW-RP-EDU			RP	2,454	20.8	118.0	40°C
LXEM2-35VW-RFA-EDU			RFA	2,531	20.8	121.7	40°C
LXEM2-35VW-DFA-EDU			DFA	2,551	20.8	122.6	40°C
LXEM2-35VW-DCA-EDU			DCA	2,598	20.8	124.9	40°C
LXEM2-40VW-RFP-EDU		40K	RFP	2,252	21.1	106.7	40°C
LXEM2-40VW-RA-EDU			RA	2,484	20.8	119.4	40°C
LXEM2-40VW-RP-EDU			RP	2,492	20.8	119.8	40°C
LXEM2-40VW-RFA-EDU			RFA	2,571	20.8	123.6	40°C
LXEM2-40VW-DFA-EDU			DFA	2,590	20.8	124.5	40°C
LXEM2-40VW-DCA-EDU			DCA	2,638	20.8	126.8	40°C
LXEM2-50VW-RFP-EDU		50K	RFP	2,312	21.1	109.6	40°C
LXEM2-50VW-RA-EDU			RA	2,550	20.8	122.6	40°C
LXEM2-50VW-RP-EDU			RP	2,558	20.8	123.0	40°C
LXEM2-50VW-RFA-EDU			RFA	2,639	20.8	126.9	40°C
LXEM2-50VW-DFA-EDU			DFA	2,659	20.8	127.8	40°C
LXEM2-50VW-DCA-EDU			DCA	2,708	20.8	130.2	40°C
LXEM2-30LW-RFP-EDU	Low Watt	30K	RFP	2,738	26.0	105.3	40°C
LXEM2-30LW-RP-EDU			RP	3,049	26.1	116.8	40°C
LXEM2-30LW-RA-EDU			RA	3,144	26.0	120.9	40°C
LXEM2-30LW-RFA-EDU			RFA	3,180	26.2	121.4	40°C
LXEM2-30LW-DFA-EDU			DFA	3,239	26.1	124.1	40°C
LXEM2-30LW-DCA-EDU			DCA	3,273	26.1	125.4	40°C
LXEM2-35LW-RFP-EDU		35K	RFP	2,831	26.0	108.9	40°C
LXEM2-35LW-RP-EDU			RP	3,153	26.1	120.8	40°C
LXEM2-35LW-RA-EDU			RA	3,251	26.0	125.0	40°C
LXEM2-35LW-RFA-EDU			RFA	3,289	26.2	125.5	40°C
LXEM2-35LW-DFA-EDU			DFA	3,349	26.1	128.3	40°C
LXEM2-35LW-DCA-EDU			DCA	3,385	26.1	129.7	40°C
LXEM2-40LW-RFP-EDU		40K	RFP	2,875	26.0	110.6	40°C
LXEM2-40LW-RP-EDU			RP	3,202	26.1	122.7	40°C
LXEM2-40LW-RA-EDU			RA	3,302	26.0	127.0	40°C
LXEM2-40LW-RFA-EDU			RFA	3,339	26.2	127.5	40°C
LXEM2-40LW-DFA-EDU			DFA	3,401	26.1	130.3	40°C
LXEM2-40LW-DCA-EDU			DCA	3,437	26.1	131.7	40°C
LXEM2-50LW-RFP-EDU		50K	RFP	2,951	26.0	113.5	40°C
LXEM2-50LW-RP-EDU			RP	3,287	26.1	125.9	40°C

PRODUCT AVAILABILITY

Lumen Package	Output	Color	Lens	Lumens	Watts	LPW	Max Ambient Operating Temp	
LXEM2-50LW-RA-EDU	Low Watt	50K	RA	3,390	26.0	130.4	40°C	
LXEM2-50LW-RFA-EDU			RFA	3,428	26.2	130.9	40°C	
LXEM2-50LW-DFA-EDU			DFA	3,492	26.1	133.8	40°C	
LXEM2-50LW-DCA-EDU			DCA	3,529	26.1	135.2	40°C	
LXEM2-30ML-RFP-EDU	Medium Lumen	30K	RFP	3,862	38.5	100.3	40°C	
LXEM2-30ML-RP-EDU			RP	4,228	38.5	109.8	40°C	
LXEM2-30ML-RFA-EDU			RFA	4,343	38.5	112.8	40°C	
LXEM2-30ML-RA-EDU			RA	4,446	38.5	115.5	40°C	
LXEM2-30ML-DFA-EDU			DFA	4,526	38.5	117.5	40°C	
LXEM2-30ML-DCA-EDU			DCA	4,565	38.5	118.6	40°C	
LXEM2-35ML-RFP-EDU		35K	RFP	3,993	38.5	103.7	40°C	
LXEM2-35ML-RP-EDU			RP	4,371	38.5	113.5	40°C	
LXEM2-35ML-RFA-EDU			RFA	4,490	38.5	116.6	40°C	
LXEM2-35ML-RA-EDU			RA	4,597	38.5	119.4	40°C	
LXEM2-35ML-DFA-EDU			DFA	4,680	38.5	121.5	40°C	
LXEM2-35ML-DCA-EDU			DCA	4,720	38.5	122.6	40°C	
LXEM2-40ML-RFP-EDU		40K	RFP	4,055	38.5	105.3	40°C	
LXEM2-40ML-RP-EDU			RP	4,439	38.5	115.3	40°C	
LXEM2-40ML-RFA-EDU			RFA	4,560	38.5	118.4	40°C	
LXEM2-40ML-RA-EDU			RA	4,668	38.5	121.3	40°C	
LXEM2-40ML-DFA-EDU			DFA	4,752	38.5	123.4	40°C	
LXEM2-40ML-DCA-EDU			DCA	4,793	38.5	124.5	40°C	
LXEM2-50ML-RFP-EDU		50K	RFP	4,163	38.5	108.1	40°C	
LXEM2-50ML-RP-EDU			RP	4,558	38.5	118.4	40°C	
LXEM2-50ML-RFA-EDU			RFA	4,682	38.5	121.6	40°C	
LXEM2-50ML-RA-EDU			RA	4,793	38.5	124.5	40°C	
LXEM2-50ML-DFA-EDU			DFA	4,879	38.5	126.7	40°C	
LXEM2-50ML-DCA-EDU			DCA	4,921	38.5	127.8	40°C	
LXEM2-30HL-RFP-EDU		High Lumen	30K	RFP	4,254	44.1	96.5	35°C
LXEM2-30HL-RP-EDU				RP	4,700	44.1	106.6	35°C
LXEM2-30HL-RA-EDU				RA	4,868	44.1	110.4	35°C
LXEM2-30HL-RFA-EDU				RFA	4,874	44.1	110.5	35°C
LXEM2-30HL-DFA-EDU	DFA			5,008	44.1	113.6	35°C	
LXEM2-30HL-DCA-EDU	DCA			5,024	44.1	113.9	35°C	
LXEM2-35HL-RFP-EDU	35K		RFP	4,399	44.1	99.7	35°C	
LXEM2-35HL-RP-EDU			RP	4,860	44.1	110.2	35°C	
LXEM2-35HL-RA-EDU			RA	5,033	44.1	114.1	35°C	
LXEM2-35HL-RFA-EDU			RFA	5,040	44.1	114.3	35°C	
LXEM2-35HL-DFA-EDU			DFA	5,179	44.1	117.4	35°C	
LXEM2-35HL-DCA-EDU			DCA	5,195	44.1	117.8	35°C	
LXEM2-40HL-RFP-EDU	40K		RFP	4,467	44.1	101.3	35°C	
LXEM2-40HL-RP-EDU			RP	4,935	44.1	111.9	35°C	
LXEM2-40HL-RA-EDU			RA	5,111	44.1	115.9	35°C	
LXEM2-40HL-RFA-EDU			RFA	5,117	44.1	116.0	35°C	

PRODUCT AVAILABILITY

Lumen Package	Output	Color	Lens	Lumens	Watts	LPW	Max Ambient Operating Temp	
LXEM2-40HL-DFA-EDU	High Lumen	40K	DFA	5,259	44.1	119.2	35°C	
LXEM2-40HL-DCA-EDU			DCA	5,275	44.1	119.6	35°C	
LXEM2-50HL-RFP-EDU		50K	RFP	4,586	44.1	104.0	35°C	
LXEM2-50HL-RP-EDU			RP	5,066	44.1	114.9	35°C	
LXEM2-50HL-RA-EDU			RA	5,248	44.1	119.0	35°C	
LXEM2-50HL-RFA-EDU			RFA	5,254	44.1	119.1	35°C	
LXEM2-50HL-DFA-EDU			DFA	5,399	44.1	122.4	35°C	
LXEM2-50HL-DCA-EDU			DCA	5,416	44.1	122.8	35°C	
LXEM4-30VW-RFP-EDU	Very Low Watt	30K	RFP	2,802	24.5	114.4	50°C	
LXEM4-30VW-RP-EDU			RP	2,938	24.4	120.4	50°C	
LXEM4-30VW-RA-EDU			RA	3,039	24.4	124.6	50°C	
LXEM4-30VW-RFA-EDU			RFA	3,048	24.5	124.4	50°C	
LXEM4-30VW-DCA-EDU			DCA	3,180	24.4	130.3	50°C	
LXEM4-30VW-DFA-EDU			DFA	3,184	24.4	130.5	50°C	
LXEM4-35VW-RFP-EDU		35K	RFP	2,897	24.5	118.2	50°C	
LXEM4-35VW-RP-EDU			RP	3,038	24.4	124.5	50°C	
LXEM4-35VW-RA-EDU			RA	3,143	24.4	128.8	50°C	
LXEM4-35VW-RFA-EDU			RFA	3,151	24.5	128.6	50°C	
LXEM4-35VW-DCA-EDU			DCA	3,288	24.4	134.8	50°C	
LXEM4-35VW-DFA-EDU			DFA	3,293	24.4	134.9	50°C	
LXEM4-40VW-RFP-EDU		40K	RFP	2,942	24.5	120.1	50°C	
LXEM4-40VW-RP-EDU			RP	3,085	24.4	126.4	50°C	
LXEM4-40VW-RA-EDU			RA	3,191	24.4	130.8	50°C	
LXEM4-40VW-RFA-EDU			RFA	3,200	24.5	130.6	50°C	
LXEM4-40VW-DCA-EDU			DCA	3,339	24.4	136.8	50°C	
LXEM4-40VW-DFA-EDU			DFA	3,344	24.4	137.0	50°C	
LXEM4-50VW-RFP-EDU		50K	RFP	3,020	24.5	123.3	50°C	
LXEM4-50VW-RP-EDU			RP	3,168	24.4	129.8	50°C	
LXEM4-50VW-RA-EDU			RA	3,276	24.4	134.3	50°C	
LXEM4-50VW-RFA-EDU			RFA	3,285	24.5	134.1	50°C	
LXEM4-50VW-DCA-EDU			DCA	3,428	24.4	140.5	50°C	
LXEM4-50VW-DFA-EDU			DFA	3,433	24.4	140.7	50°C	
LXEM4-30LW-RFP-EDU		Low Watt	30K	RFP	3,726	33.3	111.9	50°C
LXEM4-30LW-RP-EDU				RP	3,872	33.3	116.3	50°C
LXEM4-30LW-RFA-EDU				RFA	4,048	33.3	121.5	50°C
LXEM4-30LW-RA-EDU				RA	4,054	33.3	121.8	50°C
LXEM4-30LW-DFA-EDU				DFA	4,241	33.3	127.4	50°C
LXEM4-30LW-DCA-EDU				DCA	4,303	33.3	129.2	50°C
LXEM4-35LW-RFP-EDU	35K		RFP	3,853	33.3	115.7	50°C	
LXEM4-35LW-RP-EDU			RP	4,004	33.3	120.2	50°C	
LXEM4-35LW-RFA-EDU			RFA	4,185	33.3	125.7	50°C	
LXEM4-35LW-RA-EDU			RA	4,192	33.3	125.9	50°C	
LXEM4-35LW-DFA-EDU			DFA	4,385	33.3	131.7	50°C	
LXEM4-35LW-DCA-EDU			DCA	4,449	33.3	133.6	50°C	

PRODUCT AVAILABILITY

Lumen Package	Output	Color	Lens	Lumens	Watts	LPW	Max Ambient Operating Temp	
LXEM4-40LW-RFP-EDU	Low Watt	40K	RFP	3,912	33.3	117.5	50°C	
LXEM4-40LW-RP-EDU			RP	4,066	33.3	122.1	50°C	
LXEM4-40LW-RFA-EDU			RFA	4,250	33.3	127.6	50°C	
LXEM4-40LW-RA-EDU			RA	4,257	33.3	127.8	50°C	
LXEM4-40LW-DFA-EDU			DFA	4,453	33.3	133.7	50°C	
LXEM4-40LW-DCA-EDU			DCA	4,518	33.3	135.7	50°C	
LXEM4-50LW-RFP-EDU		50K	RFP	4,017	33.3	120.6	50°C	
LXEM4-50LW-RP-EDU			RP	4,174	33.3	125.3	50°C	
LXEM4-50LW-RFA-EDU			RFA	4,363	33.3	131.0	50°C	
LXEM4-50LW-RA-EDU			RA	4,371	33.3	131.3	50°C	
LXEM4-50LW-DFA-EDU			DFA	4,572	33.3	137.3	50°C	
LXEM4-50LW-DCA-EDU			DCA	4,638	33.3	139.3	50°C	
LXEM4-30ML-RFP-EDU		Medium Lumen	30K	RFP	4,533	41.9	108.2	50°C
LXEM4-30ML-RP-EDU				RP	4,714	41.9	112.5	50°C
LXEM4-30ML-RFA-EDU	RFA			4,922	42.0	117.2	50°C	
LXEM4-30ML-RA-EDU	RA			4,924	42.0	117.2	50°C	
LXEM4-30ML-DFA-EDU	DFA			5,160	42.0	122.9	50°C	
LXEM4-30ML-DCA-EDU	DCA			5,238	42.0	124.7	50°C	
LXEM4-35ML-RFP-EDU	35K		RFP	4,688	41.9	111.9	50°C	
LXEM4-35ML-RP-EDU			RP	4,875	41.9	116.3	50°C	
LXEM4-35ML-RFA-EDU			RFA	5,089	42.0	121.2	50°C	
LXEM4-35ML-RA-EDU			RA	5,091	42.0	121.2	50°C	
LXEM4-35ML-DFA-EDU			DFA	5,336	42.0	127.0	50°C	
LXEM4-35ML-DCA-EDU			DCA	5,416	42.0	128.9	50°C	
LXEM4-40ML-RFP-EDU	40K		RFP	4,760	41.9	113.6	50°C	
LXEM4-40ML-RP-EDU			RP	4,950	41.9	118.1	50°C	
LXEM4-40ML-RFA-EDU			RFA	5,168	42.0	123.1	50°C	
LXEM4-40ML-RA-EDU			RA	5,170	42.0	123.1	50°C	
LXEM4-40ML-DFA-EDU			DFA	5,418	42.0	129.0	50°C	
LXEM4-40ML-DCA-EDU			DCA	5,500	42.0	130.9	50°C	
LXEM4-50ML-RFP-EDU	50K		RFP	4,887	41.9	116.6	50°C	
LXEM4-50ML-RP-EDU			RP	5,082	41.9	121.3	50°C	
LXEM4-50ML-RFA-EDU			RFA	5,306	42.0	126.3	50°C	
LXEM4-50ML-RA-EDU			RA	5,308	42.0	126.4	50°C	
LXEM4-50ML-DFA-EDU			DFA	5,563	42.0	132.4	50°C	
LXEM4-50ML-DCA-EDU			DCA	5,646	42.0	134.4	50°C	
LXEM4-30HL-RFP-EDU	High Lumen		30K	RFP	5,449	47.4	115.0	45°C
LXEM4-30HL-RP-EDU				RP	5,648	47.2	119.7	45°C
LXEM4-30HL-RFA-EDU				RFA	5,926	47.4	125.0	45°C
LXEM4-30HL-RA-EDU				RA	5,932	47.3	125.4	45°C
LXEM4-30HL-DFA-EDU				DFA	6,214	47.3	131.4	45°C
LXEM4-30HL-DCA-EDU				DCA	6,273	47.4	132.4	45°C
LXEM4-35HL-RFP-EDU		35K	RFP	5,634	47.4	118.9	45°C	
LXEM4-35HL-RP-EDU			RP	5,840	47.2	123.7	45°C	

PRODUCT AVAILABILITY

Lumen Package	Output	Color	Lens	Lumens	Watts	LPW	Max Ambient Operating Temp
LXEM4-35HL-RFA-EDU	High Lumen	35K	RFA	6,127	47.4	129.3	45°C
LXEM4-35HL-RA-EDU			RA	6,133	47.3	129.7	45°C
LXEM4-35HL-DFA-EDU			DFA	6,425	47.3	135.8	45°C
LXEM4-35HL-DCA-EDU			DCA	6,487	47.4	136.9	45°C
LXEM4-40HL-RFP-EDU		40K	RFP	5,721	47.4	120.7	45°C
LXEM4-40HL-RP-EDU			RP	5,931	47.2	125.7	45°C
LXEM4-40HL-RFA-EDU			RFA	6,222	47.4	131.3	45°C
LXEM4-40HL-RA-EDU			RA	6,228	47.3	131.7	45°C
LXEM4-40HL-DFA-EDU			DFA	6,525	47.3	137.9	45°C
LXEM4-40HL-DCA-EDU		DCA	6,587	47.4	139.0	45°C	
LXEM4-50HL-RFP-EDU		50K	RFP	5,874	47.4	123.9	45°C
LXEM4-50HL-RP-EDU			RP	6,089	47.2	129.0	45°C
LXEM4-50HL-RFA-EDU			RFA	6,388	47.4	134.8	45°C
LXEM4-50HL-RA-EDU			RA	6,394	47.3	135.2	45°C
LXEM4-50HL-DFA-EDU			DFA	6,699	47.3	141.6	45°C
LXEM4-50HL-DCA-EDU			DCA	6,763	47.4	142.7	45°C
LXEM4-30VL-RP-EDU	Very High Lumen	30K	RP	7,086	61.6	115.0	40°C
LXEM4-30VL-RA-EDU			RA	7,373	61.7	119.5	40°C
LXEM4-30VL-RFP-EDU			RFP	7,388	61.6	119.9	40°C
LXEM4-30VL-RFA-EDU			RFA	7,395	61.6	120.0	40°C
LXEM4-30VL-DFA-EDU			DFA	7,756	61.7	125.7	40°C
LXEM4-30VL-DCA-EDU			DCA	7,806	61.7	126.5	40°C
LXEM4-35VL-RP-EDU		35K	RP	7,327	61.6	118.9	40°C
LXEM4-35VL-RA-EDU			RA	7,624	61.7	123.6	40°C
LXEM4-35VL-RFP-EDU			RFP	7,639	61.6	124.0	40°C
LXEM4-35VL-RFA-EDU			RFA	7,646	61.6	124.1	40°C
LXEM4-35VL-DFA-EDU			DFA	8,020	61.7	130.0	40°C
LXEM4-35VL-DCA-EDU		DCA	8,072	61.7	130.8	40°C	
LXEM4-40VL-RP-EDU		40K	RP	7,440	61.6	120.8	40°C
LXEM4-40VL-RA-EDU			RA	7,742	61.7	125.5	40°C
LXEM4-40VL-RFP-EDU			RFP	7,757	61.6	125.9	40°C
LXEM4-40VL-RFA-EDU			RFA	7,764	61.6	126.0	40°C
LXEM4-40VL-DFA-EDU			DFA	8,144	61.7	132.0	40°C
LXEM4-40VL-DCA-EDU		DCA	8,197	61.7	132.8	40°C	
LXEM4-50VL-RP-EDU		50K	RP	7,639	61.6	124.0	40°C
LXEM4-50VL-RA-EDU			RA	7,948	61.7	128.8	40°C
LXEM4-50VL-RFP-EDU			RFP	7,964	61.6	129.3	40°C
LXEM4-50VL-RFA-EDU			RFA	7,971	61.6	129.4	40°C
LXEM4-50VL-DFA-EDU			DFA	8,361	61.7	135.5	40°C
LXEM4-50VL-DCA-EDU		DCA	8,415	61.7	136.4	40°C	
LXEM4-30XL-RFP-EDU	Xtra High Lumen	30K	RFP	9,059	91.3	99.2	30°C
LXEM4-30XL-RP-EDU			RP	9,448	91.2	103.6	30°C
LXEM4-30XL-RFA-EDU			RFA	9,779	91.2	107.2	30°C
LXEM4-30XL-RA-EDU			RA	9,839	91.4	107.7	30°C

PRODUCT AVAILABILITY

Lumen Package	Output	Color	Lens	Lumens	Watts	LPW	Max Ambient Operating Temp	
LXEM4-30XL-DFA-EDU	Xtra High Lumen	30K	DFA	10,358	91.4	113.3	30°C	
LXEM4-30XL-DCA-EDU			DCA	10,424	91.5	113.9	30°C	
LXEM4-35XL-RFP-EDU		35K	RFP	9,367	91.3	102.6	30°C	
LXEM4-35XL-RP-EDU			RP	9,769	91.2	107.1	30°C	
LXEM4-35XL-RFA-EDU			RFA	10,111	91.2	110.9	30°C	
LXEM4-35XL-RA-EDU			RA	10,174	91.4	111.3	30°C	
LXEM4-35XL-DFA-EDU			DFA	10,710	91.4	117.2	30°C	
LXEM4-35XL-DCA-EDU			DCA	10,778	91.5	117.8	30°C	
LXEM4-40XL-RFP-EDU		40K	RFP	9,512	91.3	104.2	30°C	
LXEM4-40XL-RP-EDU			RP	9,920	91.2	108.8	30°C	
LXEM4-40XL-RFA-EDU			RFA	10,268	91.2	112.6	30°C	
LXEM4-40XL-RA-EDU			RA	10,331	91.4	113.0	30°C	
LXEM4-40XL-DFA-EDU			DFA	10,876	91.4	119.0	30°C	
LXEM4-40XL-DCA-EDU			DCA	10,945	91.5	119.6	30°C	
LXEM4-50XL-RFP-EDU		50K	RFP	9,765	91.3	107.0	30°C	
LXEM4-50XL-RP-EDU			RP	10,184	91.2	111.7	30°C	
LXEM4-50XL-RFA-EDU			RFA	10,542	91.2	115.6	30°C	
LXEM4-50XL-RA-EDU			RA	10,607	91.4	116.0	30°C	
LXEM4-50XL-DFA-EDU			DFA	11,166	91.4	122.2	30°C	
LXEM4-50XL-DCA-EDU			DCA	11,237	91.5	122.8	30°C	
LXEM8-30VW-RA-EDU	Very Low Watt	30K	RA	6,078	48.8	124.6	50°C	
LXEM8-30VW-RFA-EDU			RFA	6,096	49.0	124.4	50°C	
LXEM8-30VW-DCA-EDU			DCA	6,360	48.8	130.3	50°C	
LXEM8-30VW-DFA-EDU			DFA	6,369	48.8	130.5	50°C	
LXEM8-35VW-RA-EDU		35K	RA	6,285	48.8	128.8	50°C	
LXEM8-35VW-RFA-EDU			RFA	6,303	49.0	128.6	50°C	
LXEM8-35VW-DCA-EDU			DCA	6,576	48.8	134.8	50°C	
LXEM8-35VW-DFA-EDU			DFA	6,585	48.8	134.9	50°C	
LXEM8-40VW-RA-EDU		40K	RA	6,382	48.8	130.8	50°C	
LXEM8-40VW-RFA-EDU			RFA	6,400	49.0	130.6	50°C	
LXEM8-40VW-DCA-EDU			DCA	6,678	48.8	136.8	50°C	
LXEM8-40VW-DFA-EDU			DFA	6,687	48.8	137.0	50°C	
LXEM8-50VW-RA-EDU		50K	RA	6,553	48.8	134.3	50°C	
LXEM8-50VW-RFA-EDU			RFA	6,571	49.0	134.1	50°C	
LXEM8-50VW-DCA-EDU			DCA	6,856	48.8	140.5	50°C	
LXEM8-50VW-DFA-EDU			DFA	6,866	48.8	140.7	50°C	
LXEM8-30LW-RFA-EDU		Low Watt	30K	RFA	8,095	66.6	121.5	50°C
LXEM8-30LW-RA-EDU				RA	8,109	66.6	121.8	50°C
LXEM8-30LW-DFA-EDU				DFA	8,482	66.6	127.4	50°C
LXEM8-30LW-DCA-EDU				DCA	8,605	66.6	129.2	50°C
LXEM8-35LW-RFA-EDU	35K		RFA	8,370	66.6	125.7	50°C	
LXEM8-35LW-RA-EDU			RA	8,385	66.6	125.9	50°C	
LXEM8-35LW-DFA-EDU			DFA	8,770	66.6	131.7	50°C	
LXEM8-35LW-DCA-EDU			DCA	8,898	66.6	133.6	50°C	

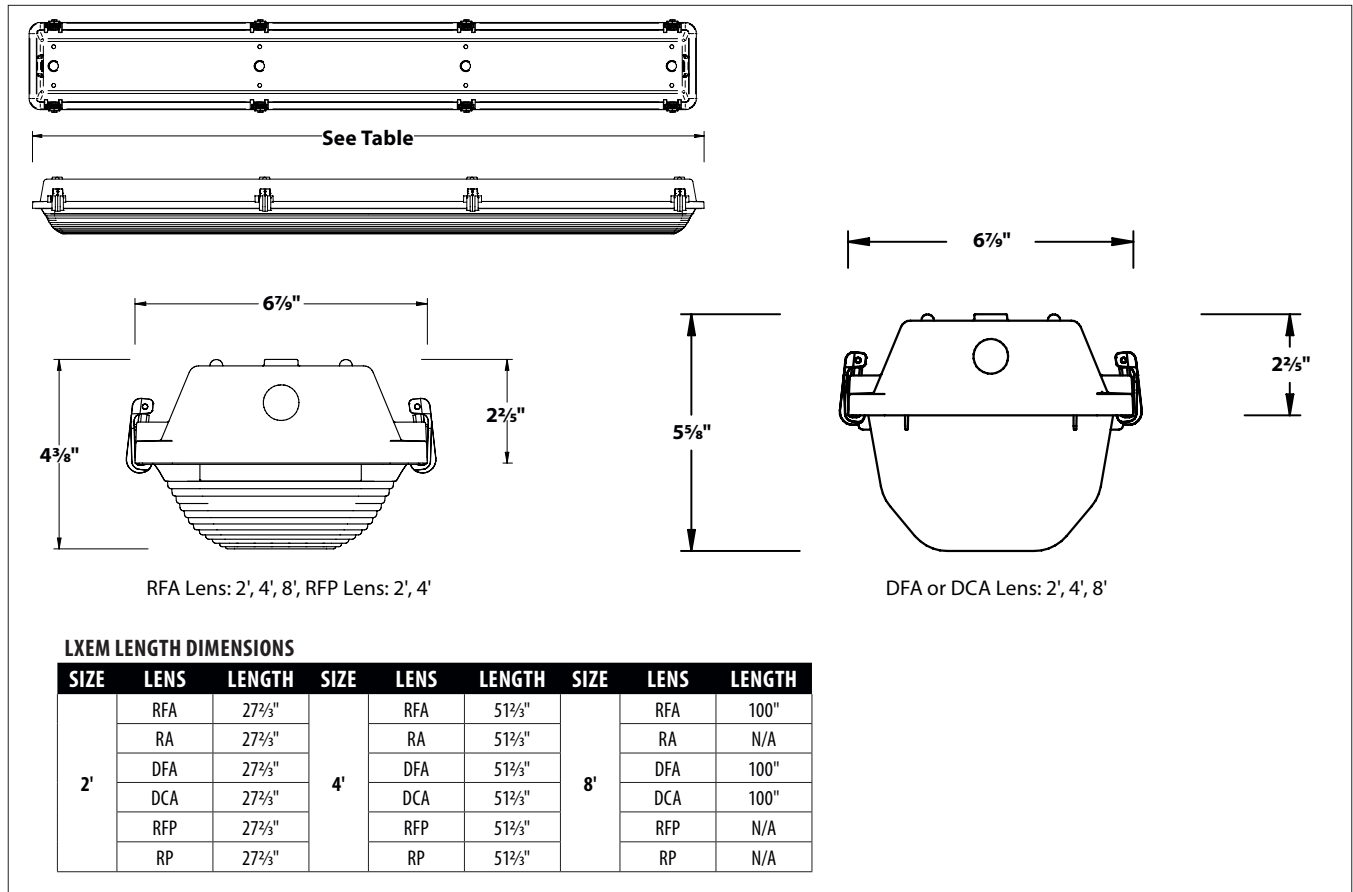
PRODUCT AVAILABILITY

Lumen Package	Output	Color	Lens	Lumens	Watts	LPW	Max Ambient Operating Temp	
LXEM8-40LW-RFA-EDU	Low Watt	40K	RFA	8,500	66.6	127.6	50°C	
LXEM8-40LW-RA-EDU			RA	8,514	66.6	127.8	50°C	
LXEM8-40LW-DFA-EDU			DFA	8,906	66.6	133.7	50°C	
LXEM8-40LW-DCA-EDU			DCA	9,035	66.6	135.7	50°C	
LXEM8-50LW-RFA-EDU		50K	RFA	8,727	66.6	131.0	50°C	
LXEM8-50LW-RA-EDU			RA	8,741	66.6	131.3	50°C	
LXEM8-50LW-DFA-EDU			DFA	9,143	66.6	137.3	50°C	
LXEM8-50LW-DCA-EDU			DCA	9,276	66.6	139.3	50°C	
LXEM8-30ML-RFA-EDU	Medium Lumen	30K	RFA	9,844	84.0	117.2	50°C	
LXEM8-30ML-RA-EDU			RA	9,847	84.0	117.2	50°C	
LXEM8-30ML-DFA-EDU			DFA	10,320	84.0	122.9	50°C	
LXEM8-30ML-DCA-EDU			DCA	10,476	84.0	124.7	50°C	
LXEM8-35ML-RFA-EDU		35K	RFA	10,179	84.0	121.2	50°C	
LXEM8-35ML-RA-EDU			RA	10,182	84.0	121.2	50°C	
LXEM8-35ML-DFA-EDU			DFA	10,671	84.0	127.0	50°C	
LXEM8-35ML-DCA-EDU			DCA	10,832	84.0	128.9	50°C	
LXEM8-40ML-RFA-EDU		40K	RFA	10,336	84.0	123.1	50°C	
LXEM8-40ML-RA-EDU			RA	10,340	84.0	123.1	50°C	
LXEM8-40ML-DFA-EDU			DFA	10,836	84.0	129.0	50°C	
LXEM8-40ML-DCA-EDU			DCA	10,999	84.0	130.9	50°C	
LXEM8-50ML-RFA-EDU		50K	RFA	10,612	84.0	126.3	50°C	
LXEM8-50ML-RA-EDU			RA	10,616	84.0	126.4	50°C	
LXEM8-50ML-DFA-EDU			DFA	11,125	84.0	132.4	50°C	
LXEM8-50ML-DCA-EDU			DCA	11,293	84.0	134.4	50°C	
LXEM8-30HL-RFA-EDU		High Lumen	30K	RFA	11,851	94.8	125.0	45°C
LXEM8-30HL-RA-EDU				RA	11,863	94.6	125.4	45°C
LXEM8-30HL-DFA-EDU				DFA	12,428	94.6	131.4	45°C
LXEM8-30HL-DCA-EDU				DCA	12,547	94.8	132.4	45°C
LXEM8-35HL-RFA-EDU	35K		RFA	12,254	94.8	129.3	45°C	
LXEM8-35HL-RA-EDU			RA	12,267	94.6	129.7	45°C	
LXEM8-35HL-DFA-EDU			DFA	12,851	94.6	135.8	45°C	
LXEM8-35HL-DCA-EDU			DCA	12,973	94.8	136.9	45°C	
LXEM8-40HL-RFA-EDU	40K		RFA	12,444	94.8	131.3	45°C	
LXEM8-40HL-RA-EDU			RA	12,456	94.6	131.7	45°C	
LXEM8-40HL-DFA-EDU			DFA	13,049	94.6	137.9	45°C	
LXEM8-40HL-DCA-EDU			DCA	13,174	94.8	139.0	45°C	
LXEM8-50HL-RFA-EDU	50K		RFA	12,776	94.8	134.8	45°C	
LXEM8-50HL-RA-EDU			RA	12,789	94.6	135.2	45°C	
LXEM8-50HL-DFA-EDU			DFA	13,397	94.6	141.6	45°C	
LXEM8-50HL-DCA-EDU			DCA	13,525	94.8	142.7	45°C	
LXEM8-30VL-RA-EDU	Very High Lumen		30K	RA	14,747	123.4	119.5	40°C
LXEM8-30VL-RFA-EDU				RFA	14,789	123.2	120.0	40°C
LXEM8-30VL-DFA-EDU				DFA	15,512	123.4	125.7	40°C
LXEM8-30VL-DCA-EDU				DCA	15,613	123.4	126.5	40°C

PRODUCT AVAILABILITY

Lumen Package	Output	Color	Lens	Lumens	Watts	LPW	Max Ambient Operating Temp
LXEM8-35VL-RA-EDU	Very High	35K	RA	15,248	123.4	123.6	40°C
LXEM8-35VL-RFA-EDU			RFA	15,292	123.2	124.1	40°C
LXEM8-35VL-DFA-EDU			DFA	16,040	123.4	130.0	40°C
LXEM8-35VL-DCA-EDU			DCA	16,143	123.4	130.8	40°C
LXEM8-40VL-RA-EDU		40K	RA	15,484	123.4	125.5	40°C
LXEM8-40VL-RFA-EDU			RFA	15,529	123.2	126.0	40°C
LXEM8-40VL-DFA-EDU			DFA	16,288	123.4	132.0	40°C
LXEM8-40VL-DCA-EDU			DCA	16,393	123.4	132.8	40°C
LXEM8-50VL-RA-EDU		50K	RA	15,897	123.4	128.8	40°C
LXEM8-50VL-RFA-EDU			RFA	15,943	123.2	129.4	40°C
LXEM8-50VL-DFA-EDU			DFA	16,722	123.4	135.5	40°C
LXEM8-50VL-DCA-EDU			DCA	16,830	123.4	136.4	40°C
LXEM8-30XL-RFA-EDU	Xtra High Lumen	30K	RFA	19,558	182.4	107.2	30°C
LXEM8-30XL-RA-EDU			RA	19,678	182.8	107.7	30°C
LXEM8-30XL-DFA-EDU			DFA	20,716	182.8	113.3	30°C
LXEM8-30XL-DCA-EDU			DCA	20,847	183.0	113.9	30°C
LXEM8-35XL-RFA-EDU		35K	RFA	20,223	182.4	110.9	30°C
LXEM8-35XL-RA-EDU			RA	20,348	182.8	111.3	30°C
LXEM8-35XL-DFA-EDU			DFA	21,420	182.8	117.2	30°C
LXEM8-35XL-DCA-EDU			DCA	21,556	183.0	117.8	30°C
LXEM8-40XL-RFA-EDU		40K	RFA	20,536	182.4	112.6	30°C
LXEM8-40XL-RA-EDU			RA	20,662	182.8	113.0	30°C
LXEM8-40XL-DFA-EDU			DFA	21,752	182.8	119.0	30°C
LXEM8-40XL-DCA-EDU			DCA	21,889	183.0	119.6	30°C
LXEM8-50XL-RFA-EDU		50K	RFA	21,083	182.4	115.6	30°C
LXEM8-50XL-RA-EDU			RA	21,213	182.8	116.0	30°C
LXEM8-50XL-DFA-EDU			DFA	22,332	182.8	122.2	30°C
LXEM8-50XL-DCA-EDU			DCA	22,473	183.0	122.8	30°C

DIMENSIONAL DATA



NOTE: All dimensions are in inches; dimensions and specifications are subject to change without notice. Please consult factory or check sample for verification.