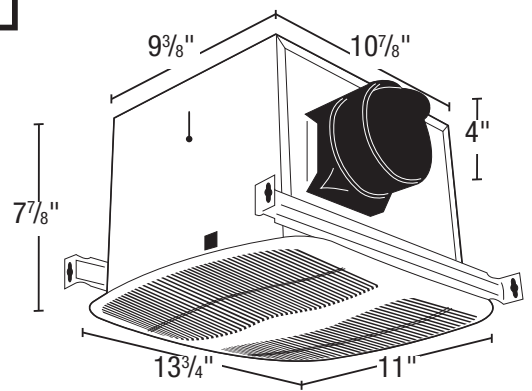




**SPECIFICATIONS**  
**AK100D**  
 DUAL SPEED EXHAUST FANS

**100 CFM/2.0 Sones @ 0.10" SP.**  
**83 CFM @ 0.25 SP.**  
**50 CFM/0.4 Sones @ 0.10"**

- **Grill**  
 White, polymeric grill secured in place with torsion springs; easily removed if necessary, dimensions - 11" x 13 3/4".
- **Blower Wheel**  
 Balanced polymeric dual inlet blower wheel 5 1/2" dia. x 4" depth, 30 paddles, secured in place using 8M hex nut.
- **Motor**  
 Enclosed 4 pole electronically balanced permanently split capacitor motor (PSC); life time lubricated. Motor bearings - ball. Suitable for continuous operation. Rated 115/120 volts, 60 Hz.
- **Fan Housing**  
 23 gauge galvanized steel housing, fully sealed.  
 Overall dimensions 10 7/8" x 9 3/8" x 7 7/8".
- **Duct Collar**  
 Plastic collar for 4" duct connection, comes complete with built in non-metallic back draft damper for quiet operation.
- **Ventilating Area**  
 For bathrooms up to 100 sq. ft. For other rooms up to 125 sq. ft.
- **Electrical Connections**  
 1/2" electrical knockouts provided. Easy wiring access via either internal or external wiring compartment cover.
- **Single Pack Shipping Info**  
 Box Dim: 14 1/8" x 11 5/8" x 9 5/8"  
 Shipping Weight: 11.5 lbs.



Acceptable for use over tub or shower when installed in a GFCI protected branch circuit.



- **Unit Mounting**  
 The housing will mount in ceilings with at least 8" of clearance and through drywall thickness up to 3/4", with a rough-in opening of 11 1/8" x 9 5/8". The housing will mount either between 16" or 24" on center joists, using the 4 supplied housing mounting rails. The housing mounting rails can be adapted for overhead mounting (hardware not provided).

EXPANDED PERFORMANCE											
Air Flow - CFM	Static Pressure (inches of w.g.)							Sones @ .1 SP	Fan Speed RPM	Maximum Fan Watts	Amps
	0	0.1	0.125	0.15	0.2	0.25	0.3				
High Speed	104	100	99	98	95	83	71	2.0	1106	26.4	0.31
Low Speed	54	50	48	47	41	30	17	0.4			

<b>PROJECT</b>							<b>ARCHITECT</b>				
<b>LOCATION</b>							<b>ENGINEER</b>				
<b>CONTRACTOR</b>							<b>SUBMITTED BY</b>			<b>DATE</b>	
FAN NUMBER	MODEL NUMBER	CFM	IN W.G.	RPM	WATTS	AMPS	SONES	QTY	OPTIONAL EQUIPMENT & REMARKS		



**U.S.:** 820 Lincoln Avenue  
 West Chester, Pennsylvania 19380-4466  
 Tel: (610) 692-7400 • 877-304-3785  
 Fax: (610) 696-8048

**Canada:**  
 Brampton, Ontario  
 Tel: 800-250-8767  
 Fax: (905) 456-1015