

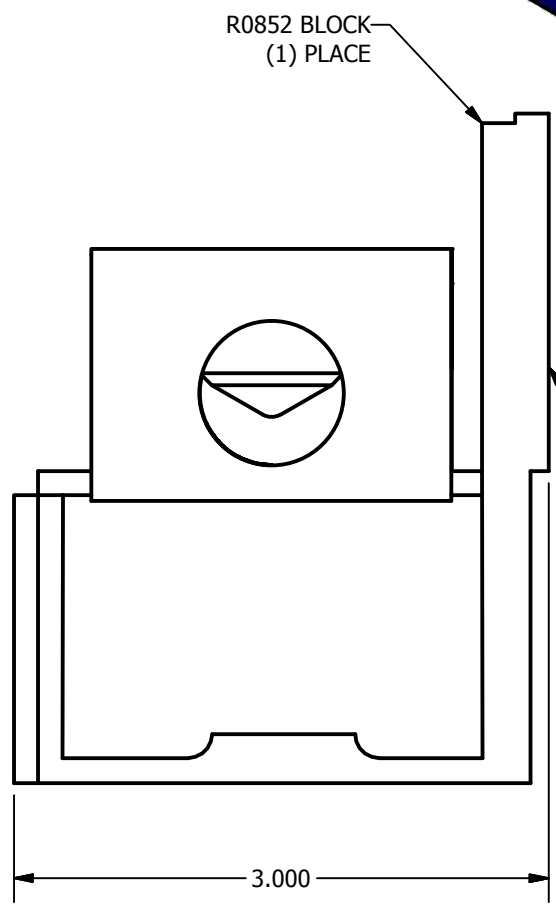
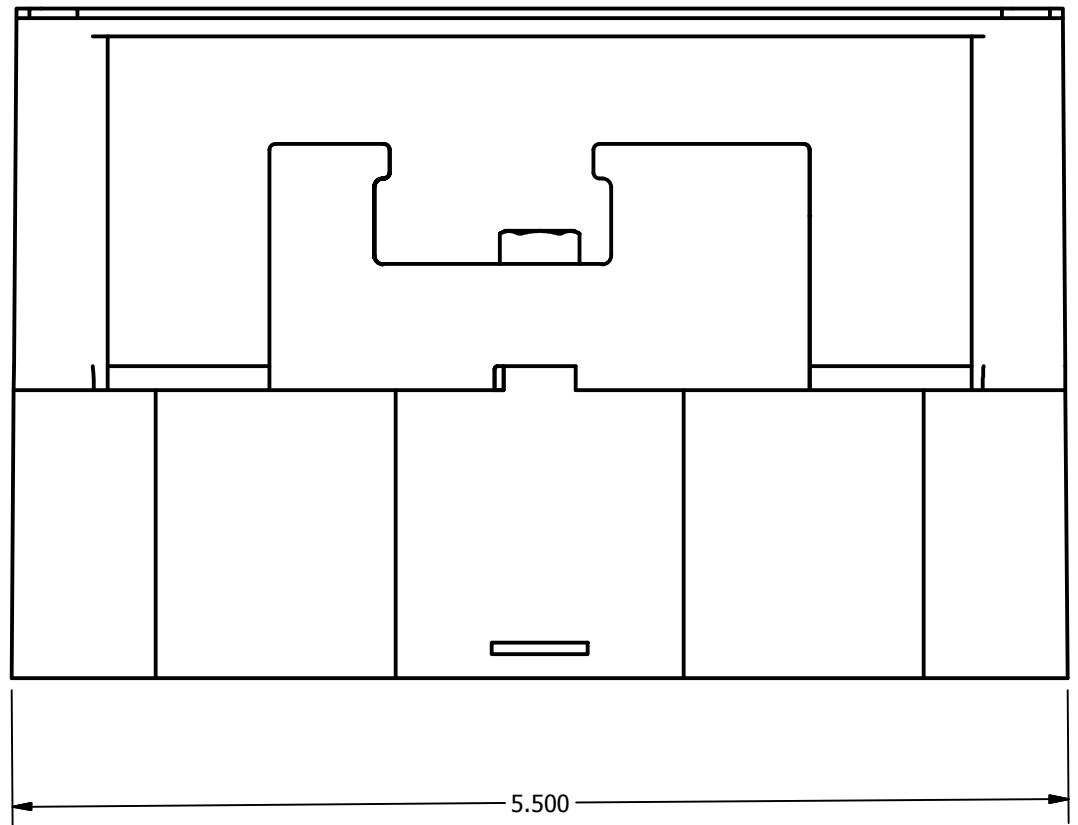
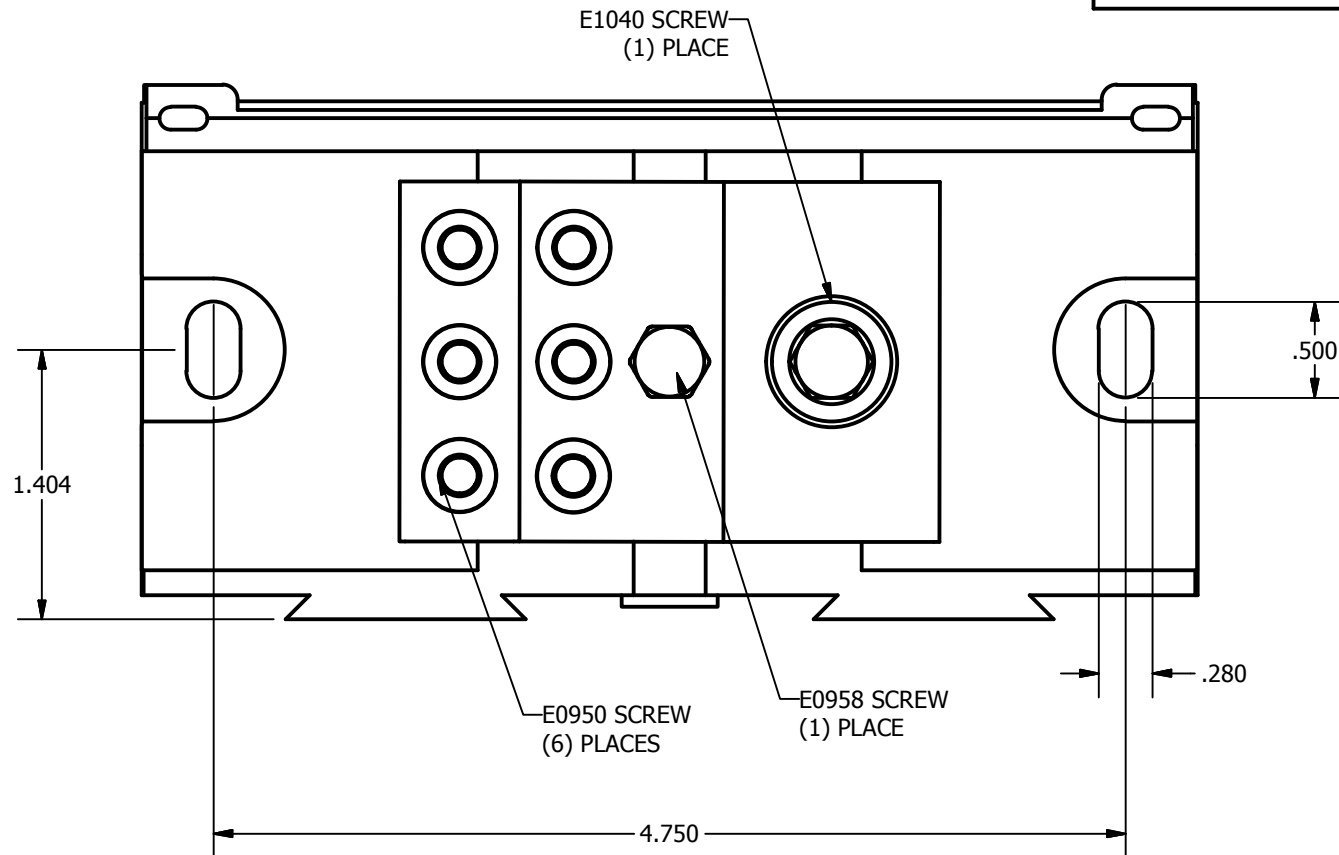
SCREW: E1040, E0950, E0958
 CAT. NO.: LDA-16-350
 INFORMATION SHEET: FORM 48

MATERIAL: NONE
 PLATING: NONE
 MARKING: NONE

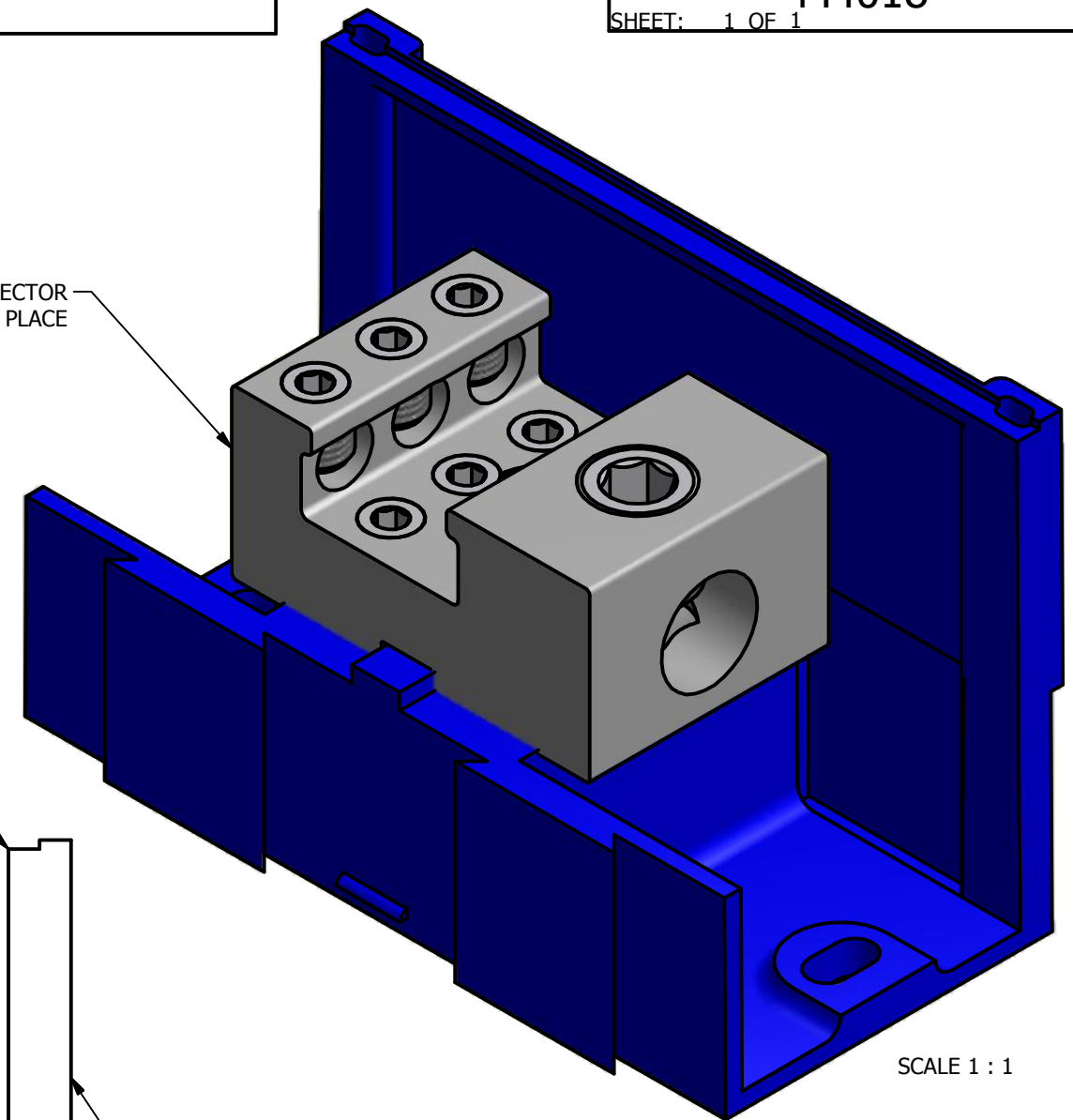
REV: H
 DRAWN BY: CLH
 DATE: 12/20/2007
 SCALE:
 SIZE: B



DWG NO: **M4018**
 SHEET: 1 OF 1



D2666 CONNECTOR
 (1) PLACE



SCALE 1 : 1