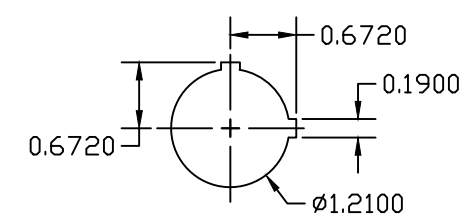
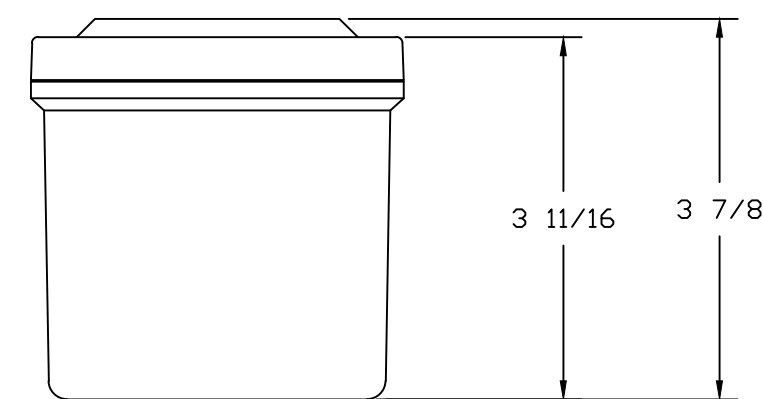
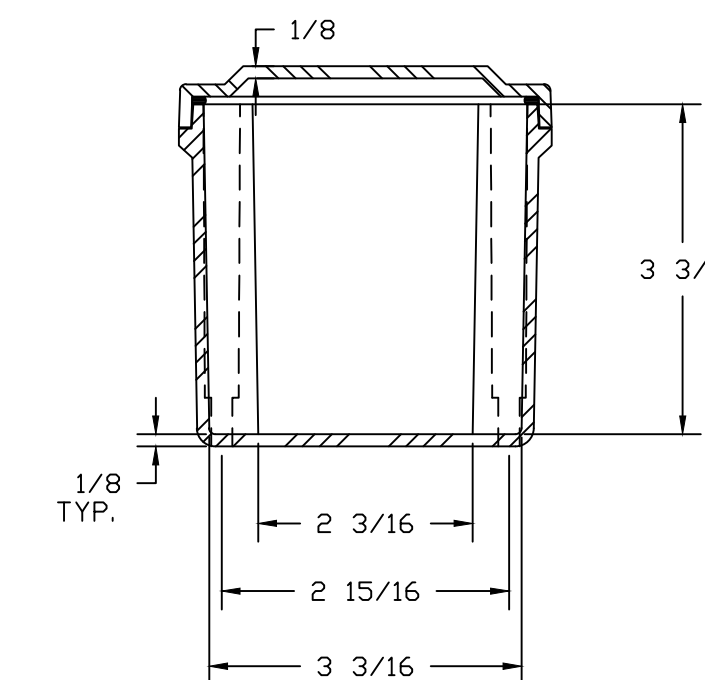


SECTION B-B



DETAIL A



SECTION A-A

NOTES:

NEMA 4X COLOR: GLACIER GRAY RR1013						TOLERANCES UNLESS SPECIFIED		DECIMAL ± .010	FRACTIONAL ± 1/32
GROUND STRAP TO BE FURNISHED WITH ENCLOSURE									
MATERIAL		DR. BY	DATE	SH		7/16/91			
F.R. POLYESTER FIBERGLASS		CHK. BY	DATE	APD. BY		DATE			
LET.	REVISION RECORD	DATE	BY	CHD.	CUSTOMER		AutoCAD DWG. FILE		
					SCALE		PART NAME		PART NO.
					DO NOT SCALE		ENCLOSURE		CF2PB



BELDING, MICHIGAN 48809