

Project		Catalog #		Type	
Prepared by		Notes		Date	



Metalux

SLSTP Lensed LED

Lensed LED Striplight

Typical Applications
Commercial • Industrial • Retail • Residential

Interactive Menu

- Order Information [page 2](#)
- Photometric Data [page 3](#)
- Control Solutions [page 4](#)
- Product Warranty

Product Certification



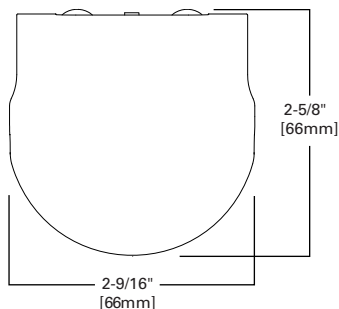
Product Features



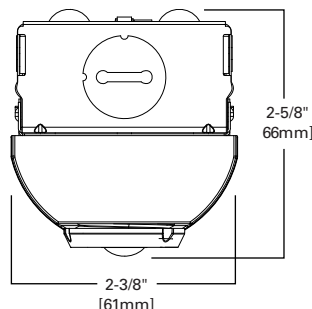
Top Product Features

- From 2400 lumens to 5800 lumens for a 4 foot strip
- 8ft. 4ft. and 2ft. Lengths with single lens (no tandem) to address any application
- Up to 125 LPW and DLC compliant to enable rebates and energy savings
- Frost white polycarbonate lens, linear prisms for even illumination
- Typical 80 CRI; 3500K, 4000K & 5000K CCT options; Emergency and dimming options

Dimensional and Mounting Details



WITH ENDCAP INSTALLED



WITH SENSOR – NO ENDCAP INSTALLED

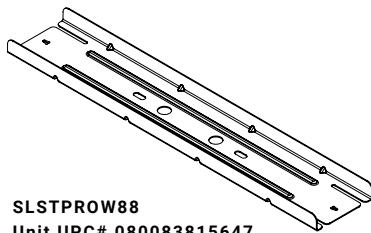
[additional product diagrams](#)

Order Information

Catalog #	UPC	Length	CCT (K)	Delivered Lumens	Watts	Efficacy (lm/W)	Controls	Input Current (A)	
								120V	277V
2SLSTP1040DD-120V	080083705771	2	4000	1250	11	113	Phase Cut Dim to 10%	0.09	-
2SLSTP2040DD-120V	080083705788	2	4000	2510	23	111	Phase Cut Dim to 10%	0.19	-
4SLSTP2040DD-120V	080083705795	4	4000	2579	23	114	Phase Cut Dim to 10%	0.19	-
4SLSTP4040DD-120V	080083705801	4	4000	4474	40	112	Phase Cut Dim to 10%	0.33	-
2SLSTP2035DD-UNV	080083814763	2	3500	2498	23	110	0-10V Dim to 10%	0.19	0.08
2SLSTP2040DD-UNV	080083807826	2	4000	2510	23	111	0-10V Dim to 10%	0.19	0.08
2SLSTP2050DD-UNV	080083158928	2	5000	2573	22	117	0-10V Dim to 10%	0.18	0.08
4SLSTP2040DD-UNV	080083705818	4	4000	2410	21	113	0-10V Dim to 10%	0.18	0.08
4SLSTP2050DD-UNV	080083158935	4	5000	2451	21	119	0-10V Dim to 10%	0.17	0.07
4SLSTP4035DD-UNV	080083807765	4	3500	4695	41	115	0-10V Dim to 10%	0.34	0.15
4SLSTP4040DD-UNV	080083705825	4	4000	4760	44	109	0-10V Dim to 10%	0.36	0.16
4SLSTP4050DD-UNV	080083158942	4	5000	4846	43	113	0-10V Dim to 10%	0.36	0.15
4SLSTP5535DD-UNV	080083807802	4	3500	5620	49	114	0-10V Dim to 10%	0.41	0.18
4SLSTP5540DD-UNV	080083807789	4	4000	5845	49	119	0-10V Dim to 10%	0.41	0.18
4SLSTP5550DD-UNV	080083158959	4	5000	5696	49	117	0-10V Dim to 10%	0.41	0.18
8SLSTP11035DD-UNV	080083807703	8	3500	10322	83	124	0-10V Dim to 10%	0.7	0.30
8SLSTP11040DD-UNV	080083807680	8	4000	10464	83	125	0-10V Dim to 10%	0.7	0.30
8SLSTP11050DD-UNV	080083158973	8	5000	10197	83	123	0-10V Dim to 10%	0.69	0.30
8SLSTP8035DD-UNV	080083804368	8	3500	8064	71	114	0-10V Dim to 10%	0.59	0.26
8SLSTP8040DD-UNV	080083814787	8	4000	8176	71	115	0-10V Dim to 10%	0.59	0.26
8SLSTP8050DD-UNV	080083158966	8	5000	8324	70	119	0-10V Dim to 10%	0.58	0.25
4SLSTP4040CS	080083807741	4	4000	4835	41	118	0-10V Dim to 10% and simple occupancy sensor	0.34	0.15
8SLSTP8040CS	080083807727	8	4000	8304	72	115	0-10V Dim to 10% and simple occupancy sensor	0.6	0.26
8SL8040	080083807925	8	4000	8176	71	115	0-10V Dim to 10%	0.62	0.27

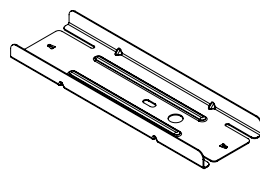
Accessories (Order Separately)

ROW ALIGNER 8' - 8'



SLSTPROW88
 Unit UPC# 080083815647
 Master Carton UPC# 080083815654
 (50 per Master)

ROW ALIGNER 8' - 4'



SLSTPROW842
 Unit UPC# 080083815661
 Master Carton UPC# 080083815678
 (100 per Master)

AVC-Chain/Set=36" Hanging Chain Set w/V Hooks
TOGGLE-10=10' Suspension Aircraft Cable Kit (specify if another length is needed)
SCF-12-B=12" Fixed Stem Set (specify if another length is needed)
2SLSTPLNS=2 ft. Replacement Lens
4SLSTPLNS=4 ft. Replacement Lens
8SLSTPLNS=8 ft. Replacement Lens
EBPLED7W=User Installed, Remote Mount, 7 Watt LED Emergency Battery Pack
EBPLED14W=User Installed, Remote Mount, 14 Watt LED Emergency Battery Pack

Energy and Performance Data

Load Data

	2'	4'	8'
PF	0.99	0.99	0.98
THD%	13.6	12.9	< 20
Weight	2.8	4.6	9
Low Temp. Start	-20°C	-20°C	-20°C

Shipping Data

Catalog Base	Wt.	Unit per Pallet
2SLSTP	2.38 lbs.	144
4SLSTP	4.3 lbs.	72
8SLSTP	9 lbs.	45

Product Specifications

Feature Header

- Fixture channel, cover and end plates are formed from cold rolled steel
- Fixture channel offers all of the features needed for installation including multiple KO, a round J-box cover, wiring connectors and decorative end caps
- Post painted for ease of handling
- Decorative end caps snap-on for an improved aesthetic finish
- Suitable for either single or continuous row applications

Controls

- Maximize energy savings - combine with products like occupancy sensors, daylighting controls, and lighting relay panels
- Standard 0-10V continuous dimming driver works with any standard 0-10V control/dimmer
- Dimming range is 10% to 100% and varies by control device
- 120V drivers work with standard 120V phase cut dimmers
- See dimming compatibility chart posted on website. Optional simple occupancy sensors enable code compliance all in a simple package

Electrical

- Long-Life LED system with an energy-efficient electronic driver comes in UNV (120-277V) or 120V versions
- Both drivers offer smooth dimming with a number of residential and commercial dimmers
- LED's CCT are 3500K, 4000K and 5000K with a CRI ≥ 80
- Projected life is 50,000 hours at 70% lumen output

Finish

- Post painted with high reflective paint – standard

Shielding

- Offers a frost lens with decorative end caps for single and end of the row applications

Installation

- May be surface, suspended, or wall mounted
- Multiple 7/8" K.O. on back and one on each end

Compliance

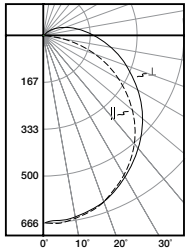
- cULus listed for damp location rated
- LED's comply with IESNA LM-79 and LM-80 standards
- Under 4", ADA Compliant. DesignLights Consortium® Qualified and classified for DLC Standard, refer to www.designlights.org for details
- RoHS compliant
- Suitable for use in clothes closets when installed in accordance with the NEC 410.16 spacing requirements.

Warranty

- Five year warranty

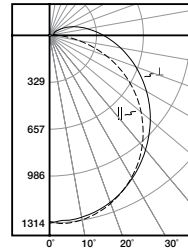
Photometric Data

[View IES files](#)



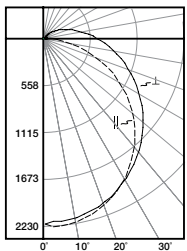
4SLSTP2040DD-UNV

Electronic Driver
 Linear LED 4000K
 Spacing criterion: (II) 1.26 x mounting height, (\perp) 1.29 x mounting height
 Lumens: 2410
 Input Watts: 21.3W
 Efficacy: 113 LPW
 Test Report: 4SLSTP2040DD-UNV.IES



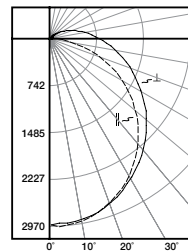
4SLSTP4040DD-UNV

Electronic Driver
 Linear LED 4000K
 Spacing criterion: (II) 1.27 x mounting height, (\perp) 1.29 x mounting height
 Lumens: 4760
 Input Watts: 43.5W
 Efficacy: 109 LPW
 Test Report: 4SLSTP4040DD-UNV.IES



8SLSTP8040DD-UNV

Electronic Driver
 Linear LED 4000K
 Spacing criterion: (II) 1.28 x mounting height, (\perp) 1.30 x mounting height
 Lumens: 8176
 Input Watts: 71W
 Efficacy: 115 LPW
 Test Report: 8SLSTP8040DD-UNV.IES

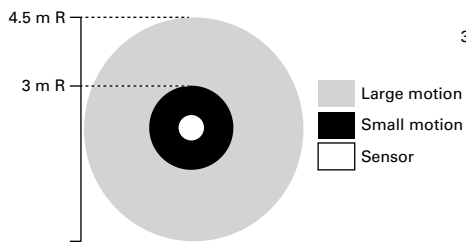


8SLSTP11040DD-UNV

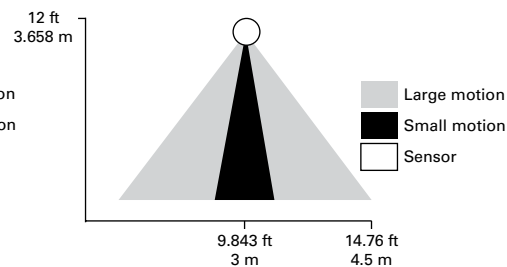
Electronic Driver
 Linear LED 4000K
 Spacing criterion: (II) 1.26 x mounting height, (\perp) 1.28 x mounting height
 Lumens: 10476
 Input Watts: 83.4W
 Efficacy: 126 LPW
 Test Report: 8SLSTP11040DD-UNV.IES

Sensor Coverage ("CS" SKU Designation)

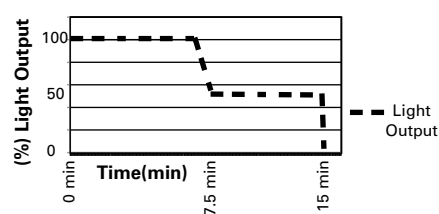
SENSOR COVERAGE PATTERN TOP VIEW



SENSOR COVERAGE PATTERN SIDE VIEW



LIGHT OUTPUT VERSUS TIME



Dimensional and Mounting Details

