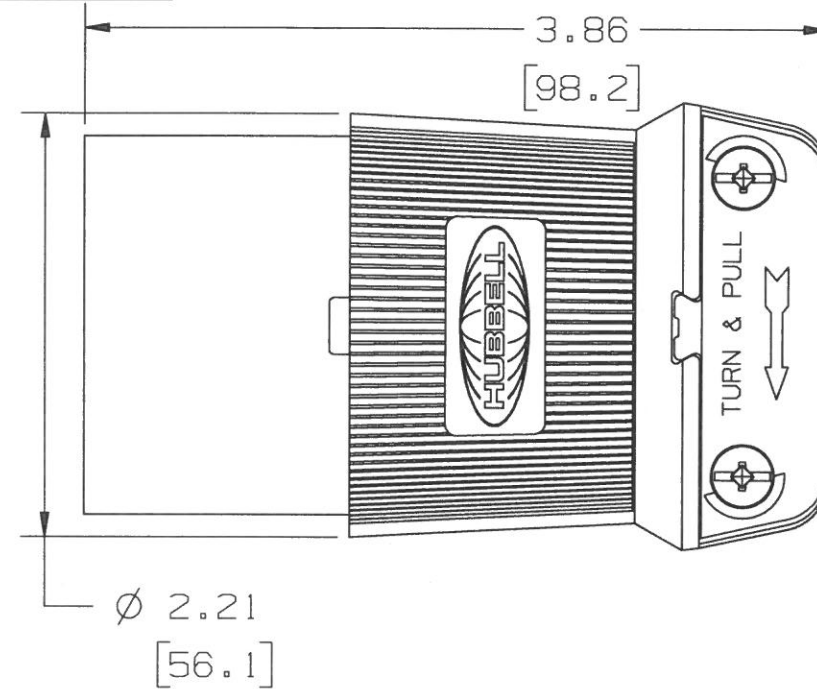
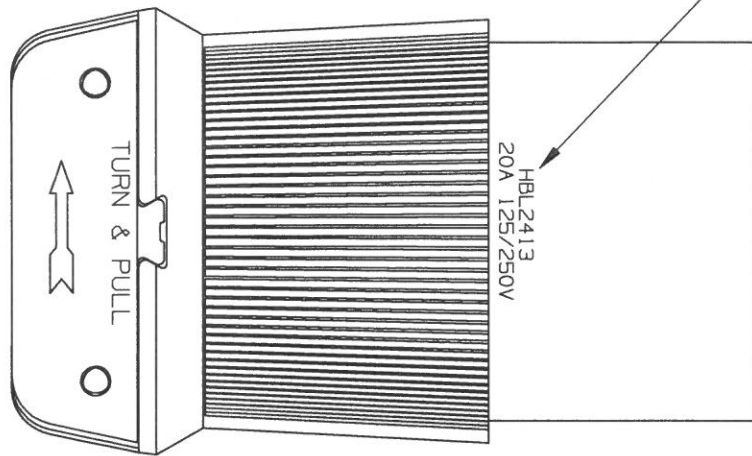


M-7902 7

CAT NO. & RATING PRINTED ON CONTACT BODY, COLOR CODE BY VOLTAGE



NOTES:

1. ALL SCREWS ARE COMBINATION PHILLIPS/SLOTTED/ROBERTSON HEAD.
2. REMOVED THIS NOTE.

CORD CLAMP RANGE
 Ø .35-1.15
 [8.89-29.21]

CORD RANGE:
 16/4 TYPE SJ
 TO
 8/5 TYPE S

NEMA NO.	RATING	POLE/WIRE	CAT NO.	CORROSION RESISTANT [B]	VOLTAGE COLOR CODE	UL	CSA	FED SPEC
L14-20R	125/250V	3P/4W GROUNDING	HBL2413 HBL2413BK [C]	HBL24CM13	ORANGE	YES	YES	YES
L15-20R	3 Ø 250 VAC	3P/4W GROUNDING	HBL2423	HBL24CM23	BLUE	YES	YES	YES
L16-20R	3 Ø 480 VAC	3P/4W GROUNDING	HBL2433	HBL24CM33	RED	YES	YES	YES
L18-20R	3 Ø Y 120/208VAC	4P/4W NON-GROUNDING	HBL2443	-----	BLUE	YES	NO	YES
L19-20R	3 Ø Y 277/480VAC	4P/4W NON-GROUNDING	HBL2453	-----	RED	YES	NO	YES
L20-20R	3 Ø Y 347/600VAC	4P/4W NON-GROUNDING	HBL2463	-----	BLACK	YES	NO	YES
L21-20R	3 Ø Y 120/208VAC	4P/5W GROUNDING	HBL2513 HBL2513BK [C]	HBL25CM13	BLUE	YES	YES	YES
L22-20R	3 Ø Y 277/480VAC	4P/5W GROUNDING	HBL2523	-----	RED	YES	YES	YES
L23-20R	3 Ø Y 347/600VAC	4P/5W GROUNDING	HBL2533	-----	BLACK	YES	YES	YES

LIST OF PARTS

DESCRIPTION	MATERIAL	FINISH
COVER	NYLON	BLACK
CORD CLAMP	NYLON	NATURAL
CONTACT BODY	NYLON	NATURAL
RETAINER	POLY CARBONATE	CLEAR
CONTACTS	.031 BRASS	
CENTER GROUND CONTACT & TERM LUG (5 WIRE)	BRASS	
WIRE CLAMP	.080 CRS	NICKEL PLATE
#10 TERMINAL SCREWS	BRASS	[A]
#10 GROUND SCREW	BRASS	GREEN
ASSEMBLY FASTENERS	STEEL	ZINC PLATE
DUST SHIELD	TPE	BLACK

- [A] WHITE FINISH ON NEUTRAL CONTACT WHEN USED.
- [B] CM DEVICES SAME AS ABOVE EXCEPT: COVER & CORD CLAMP YELLOW TERMINAL SCREWS & CONTACT-NICKEL PLATED WIRE CLAMPS - BRASS, NICKEL PLATE ASSEM FASTENERS - STAINLESS STEEL
- [C] BK DEVICES ARE SAME AS ABOVE EXCEPT ALL BLACK

SYM	REVISIONS	APP	DATE
7	REMOVED DIM 2.33 PER DCN23277. MYA	DJR	8/24/17
6	ADDED DUST SHIELD TO LIST OF PARTS PER DCN 15675 SPN	DJP	4/22/09
5	REMOVE TOLS. FROM DIMS.; ADDED DIA RANGE & CORD RANGE TO "CORD CLAMP" CALLOUT PER DCN 11902 RCM	JPP	1/8/05

THE DESIGN AND DIMENSIONS OF THE PRODUCT SHOWN ON THIS DRAWING ARE SUBJECT TO CHANGE WITHOUT NOTICE

TITLE
 20A 4 & 5-WIRE TWIST-LOCK CONNECTOR

TOLERANCES UNLESS OTHERWISE SPECIFIED	WIRING DEVICE-KELLEMS HUBBELL INCORPORATED BRIDGEPORT, CT	
FRACTIONS N/A	DR. BY B.C.	APP. BY DJP
DECIMALS N/A	TR. BY	SCALE NONE
ANGLES N/A	CHK'D BY DJP	DATE 02/12/98

LEGEND: IN. [mm]