


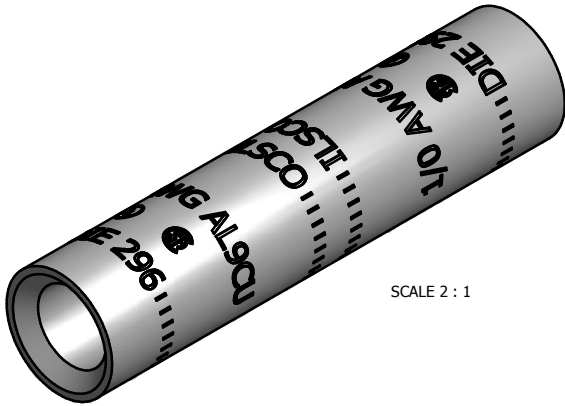


SCREW: NONE	MATERIAL: ALUMINUM	REV: B	 800-776-9775 www.ilSCO.com		
CAT. NO.: ASN - 1/0	PLATING: EL-TIN	DRAWN BY:AR			SCALE: 3:1
INFORMATION SHEET:FORM 196	MARKING: ILSCO, ASN-1/0, 1/0 AWG AL9CU,  	DATE:12/20/2013			SIZE: B
			DWG NO: H1911-22	SHEET: 1 OF 1	



SCALE 2 : 1

