
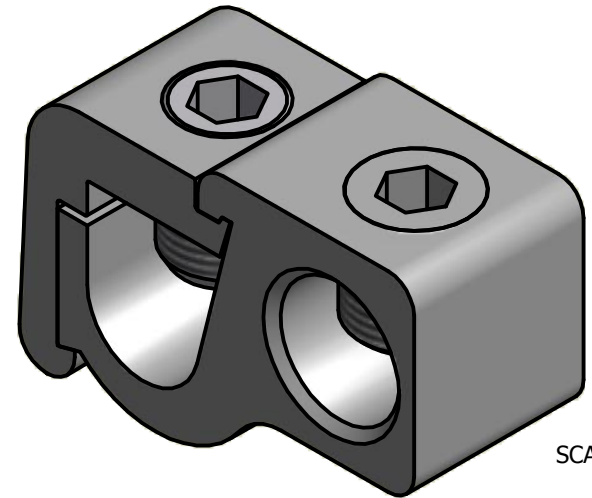
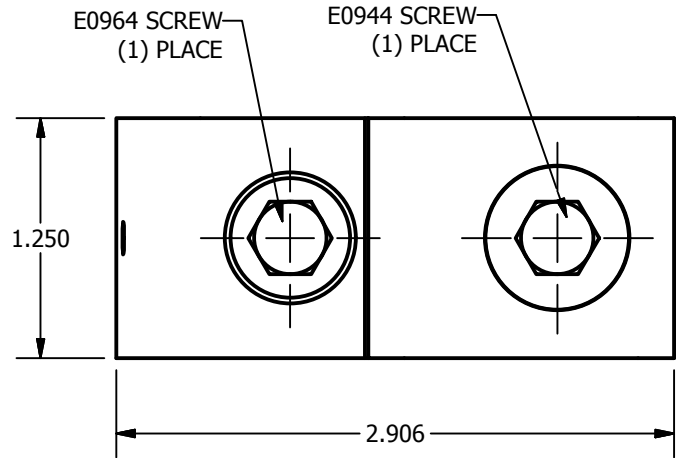


SCREW: E0964 AND E0944	MATERIAL: NONE	REV: I	 800-776-9775 www.ilsco.com		
CAT. NO.: GTA-500-500	PLATING: NONE	DRAWN BY: CLH			SCALE: 1:1
INFORMATION SHEET: FORM 1	MARKING: NONE	DATE: 1/8/2008			SIZE: A
			DWG. NO. M0410-22		
			SHEET: 1 OF 1		



SCALE 1 : 1

