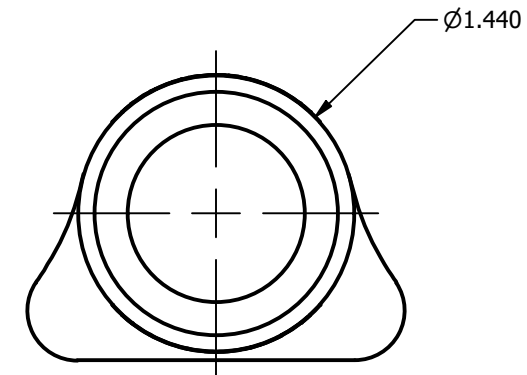
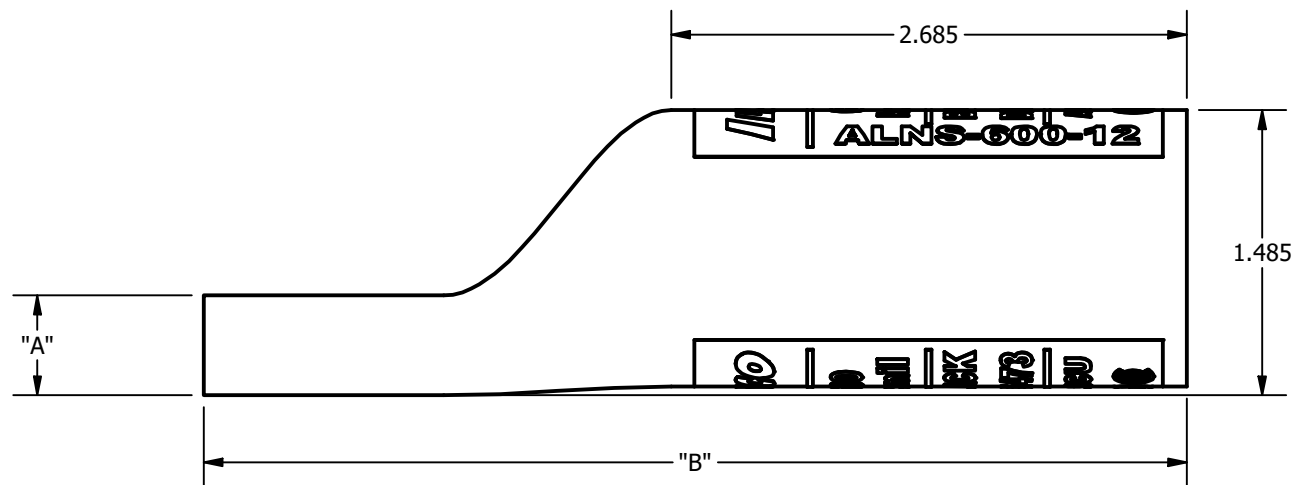
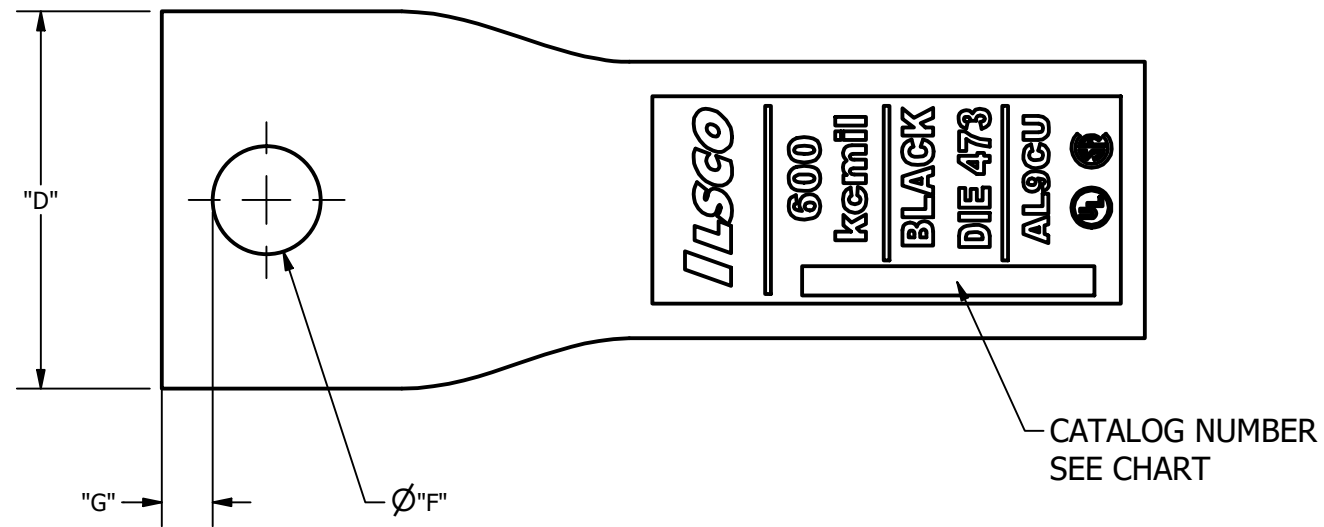


SCREW: NONE
 CAT. NO.: SEE CHART
 INFORMATION SHEET: FORM 196

MATERIAL: ALUMINUM
 PLATING: EL-TIN
 MARKING: NO TANG MARKING

REV: O
 DRAWN BY: MJK SCALE: NTS
 DATE: 6/14/2013 SIZE: B

DWG NO:
 YA1603, YAN1603 Single
 SHEET: 1 OF 1



CATOLOGY NUMBER	"A"	"B"	"D"	"F"	"G"
ALNS-600-12	.520	5.120	1.965	0.562	0.265
ALNN-600-12	.520	5.120	1.410	0.562	0.265
ALNS-600-58	.520	5.310	1.965	0.656	0.343
ALNN-600-58	.520	5.310	1.410	0.656	0.343