



## Main

Product	Single Throw Safety Switch
Current Rating	400 A
Certifications	UL listed file E2875
Enclosure Rating	NEMA 3R galvanized steel
Factory Installed Neutral	None
Disconnect Type	Non-fusible disconnect
Short Circuit Current Rating	200 kA maximum
Mounting Type	Surface
Number of Poles	3
Electrical Connection	Lugs
Duty Rating	Heavy duty
Voltage Rating	600 V AC/DC
Wire Size	AWG 1/0...750 kcmil copper or aluminium

## Complementary

Short-circuit withstand	200 kA
Maximum Horse Power Rating	125 Hp 240 V AC 50...60 Hz 3 phase NEC 430.52 250 Hp 480 V AC 50...60 Hz 3 phase NEC 430.52 350 Hp 600 V AC 50...60 Hz 3 phase NEC 430.52 50 Hp 250 V DC 50 hp 600 V DC
Maximum Height	50.31 in (1277.87 mm)
Maximum Depth	10.13 in (257.30 mm)
Maximum Width	27.88 in (708.15 mm)
Tightening torque	550 lbf.in (62.14 N.m) AWG 1/0...750 kcmil)

## Ordering and shipping details

Category	00054 - H&HU SW,NEMA3R,400-1200A
Discount Schedule	DE1
GTIN	00785901450481
Nbr. of units in pkg.	1
Package weight(Lbs)	187 lb(US) (84.82 kg)
Returnability	Yes
Country of origin	MX

## Packing Units

Unit Type of Package 1	PCE
Package 1 Height	14.02 in (35.6 cm)
Package 1 width	28.31 in (71.9 cm)
Package 1 Length	51.50 in (130.8 cm)

The information provided in this documentation contains general descriptions and/or technical characteristics of the performance of the products contained herein. This documentation is not intended as a substitute for and is not to be used for determining suitability or reliability of these products for specific user applications. It is the duty of any such user or integrator to perform the appropriate and complete risk analysis, evaluation and testing of the products with respect to the relevant specific application or use thereof. Neither Schneider Electric Industries SAS nor any of its affiliates or subsidiaries shall be responsible or liable for misuse of the information contained herein.

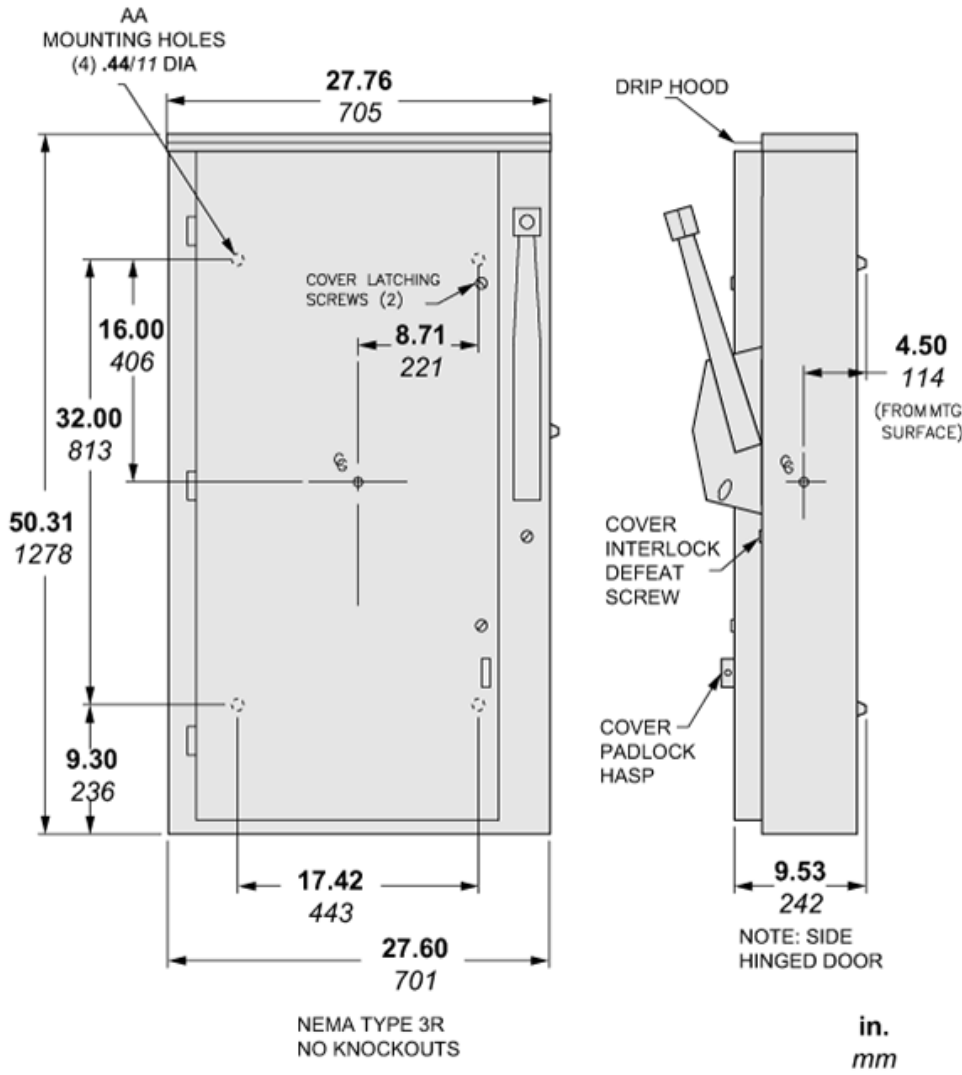
## Offer Sustainability

Sustainable offer status	Green Premium product
REACH Regulation	<a href="#">REACH Declaration</a>
REACH free of SVHC	Yes
EU RoHS Directive	Compliant <a href="#">EU RoHS Declaration</a>
Mercury free	Yes
RoHS exemption information	<a href="#">Yes</a>
China RoHS Regulation	<a href="#">China RoHS Declaration</a>
Environmental Disclosure	<a href="#">Product Environmental Profile</a>
PVC free	Yes
Halogen content performance	Halogen free plastic parts product

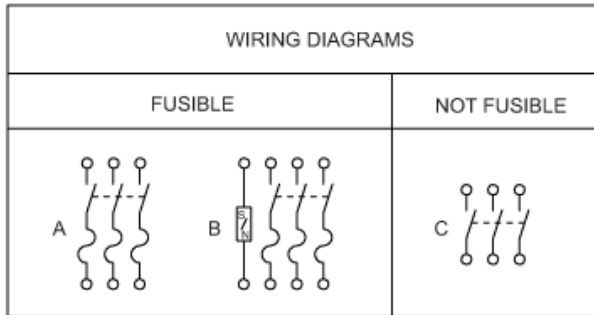
## Contractual warranty

Warranty	18 months
----------	-----------

Approximate Dimensions



Wiring Diagrams



TERMINAL LUGS DATA			
AMPERE	MAX WIRE	MIN WIRE	TYPE
400	(1) 750 KCMIL OR (2) 300 KCMIL	(1) #1/0 AWG OR (2) #1/0 AWG	AL OR CU