

DRAWING NO.
30006810

4

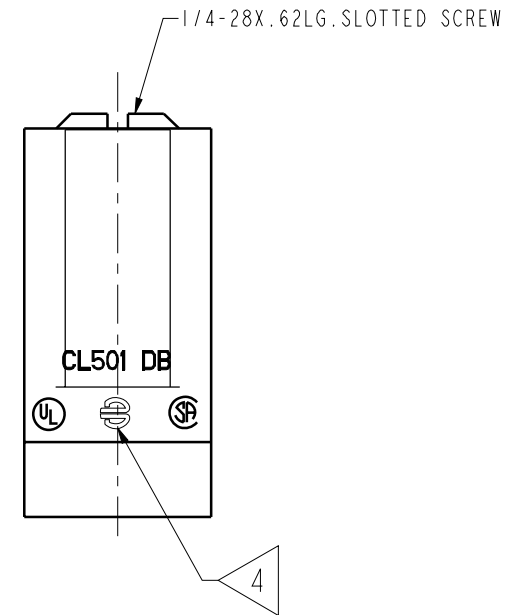
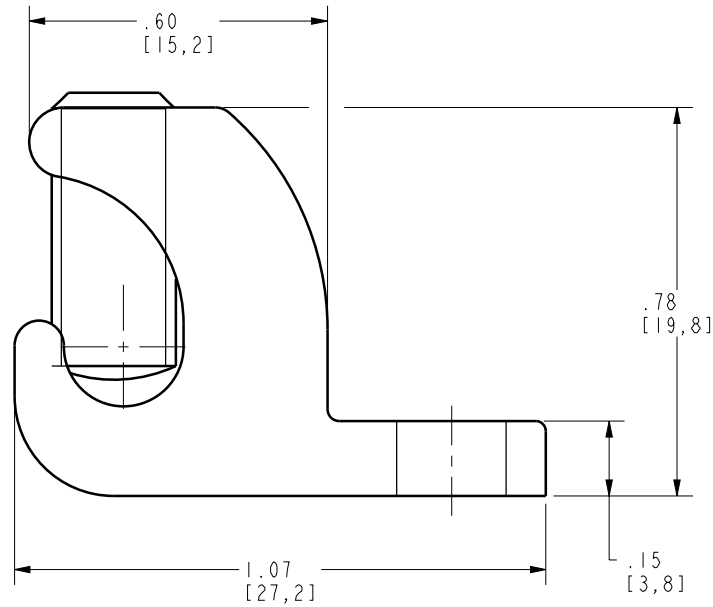
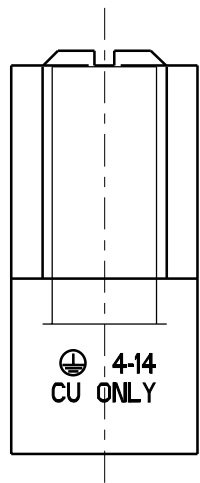
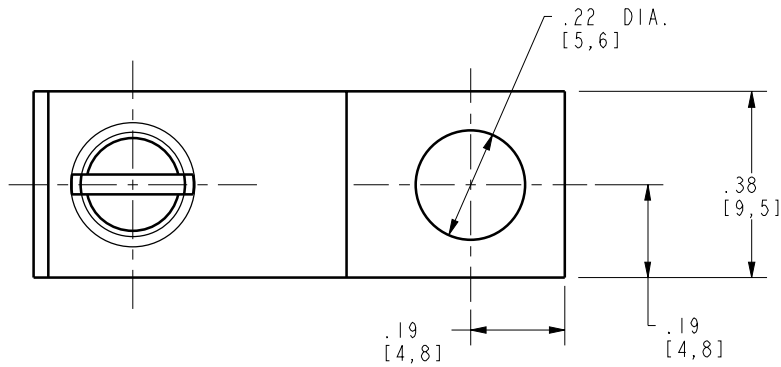
3

2

1

REV	DATE	DESCRIPTION	ECO	BY	C'H'K.
B	10/24/2015 00:00:00 AM	UPDATE CL501, CL501TN, AND KIT SALES DRAWINGS.	41982	MK	RR

FIELD WIRING USE #14-4 AWG CU; SOL. OR STR.	
CONDUCTOR SIZE	TIGHTENING TORQUE
14-10 AWG	20 INCH-LBS
8 AWG	25 INCH-LBS
6-4 AWG	35 INCH-LBS



NOTES:

- MATERIAL: BODY - COPPER
SCREW - 300 SERIES OR 18-8 STAINLESS STEEL.
- INSTALL WITH #10 HARDWARE.
- DIMENSIONS IN BRACKETS [] ARE IN MILLIMETERS AND ARE FOR REFERENCE ONLY.

4 UL LISTED AND CSA CERTIFIED GROUNDING AND BONDING EQUIPMENT AND RATED FOR DIRECT BURIAL IN CONCRETE OR EARTH.

TO ORDER BURNDY® PRODUCTS CALL
UNITED STATES:
1-800-346-4175 (LONDONDERRY, NH)
CANADA:
1-800-361-6975 (QUEBEC)
1-800-387-6487 (ALL OTHER PROVINCES)
FOR PRODUCT INFO: <http://www.burndy.com>

LAY-IN-LUG, COPPER	
ITEM NO:	26001840
CAT. NO:	CL501
DRAWN BY:	M KATHIR 10/28/15
CHECKER:	R ROMAN 12/22/15
DSN APPVL:	R ROMAN 12/22/15
MFG APPVL:	-- --
QA APPVL:	C KOWALCZYK 12/16/15
MKT APPVL:	P THERRIEN 12/22/15
PROD FAM:	MECHANICAL GROUNDING
PROJECT #:	--
DOCUMENT TYPE:	Sales
REL LEVEL:	Released
SCALE:	4:1
DRAWING NO:	30006810
REV:	B
SHEET 1 OF 1	



REV: PE0200

4

3

2

1