

## DESCRIPTION

The Halo LA56 LED Adjustable Downlight series are adjustable LED Modules for 5" or 6" aperture recessed downlights. The LA56 gimbals feature adjustment of 35-degree tilt and up to 360-degree rotation. The lens provides uniform illumination and wet location listing. Precision construction makes any housing AIR-TITE for added savings and code compliance.

Catalog #		Type
Project		
Comments		Date
Prepared by		

## SPECIFICATION FEATURES

### Module - Trim

- Module construction includes LED Array, heat sink, reflector, lens, baffle and trim ring.
- Heat sink designed to conduct heat away from the LED Array, keeping the junction temperatures below specified maximums, even when installed in insulated ceiling environments

### Lens

- Regressed lens
- Impact-resistant polycarbonate
- Diffusing for even illumination

### LED Array

- Mid power LED array provides a uniform source with high efficiency and no pixilation.
- 90 CRI minimum, R9 greater than 50
- Color accuracy within 3 SDCM provide color accuracy and uniformity.
- Color Temperatures (CCT) available in 2700K, 3000K, 3500K, 4000K, or 5000K

### Optical Assembly

- Regressed lens
- Impact-resistant polycarbonate
- Diffuse for even illumination

### Driver

- Integral 120V 60 Hz constant current driver provides noise free operation
- Continuous, flicker-free dimming from 100% to 10%.
- Inline electrical quick connect and E26 adapter (provided) provides mains connections
- Consult instruction sheets for more information

### Retention

- Torsion springs are pre-installed and adjust to fit 5" or 6" compatible housings

### Gaskets

- Closed cell gaskets achieve restrictive airflow requirements without additional caulking

### Compliance

- UL Certified
- Wet and Damp location listed.
- Airtight certified per ASTM-E283
- Suitable for use in clothes closets when installed in accordance with the NEC 410.16 spacing requirements
- EMI/RFI emissions per FCC 47CFR Part 15 consumer limits
- Contains no mercury or lead and RoHS compliant
- Photometric testing in accordance with IES LM-79-08
- Lumen maintenance projections in accordance with IES LM-80-08 and TM-21-11
- Can be used for State of California Title 24 high efficacy luminaire compliance. Complies with Title 24 JA8-2016-E.
- Can be used International Energy Conservation Coe (IECC) and Washington State Energy Code high efficiency luminaire compliance.
- ENERGY STAR® listed, reference database for current listings

### Warranty

- Five year limited warranty, consult website for details. [www.cooperlighting.com](http://www.cooperlighting.com)



## LA56

## 5 and 6-inch All-Purpose LED Adjustable Downlight

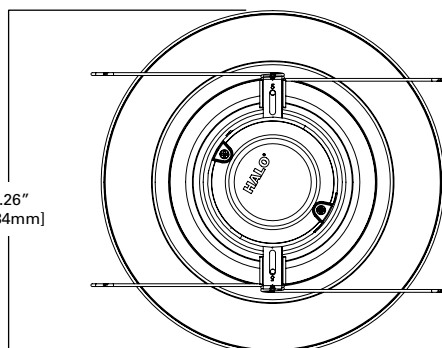
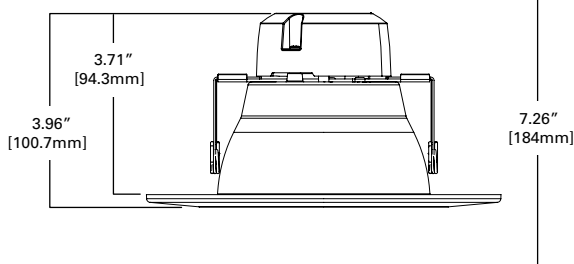
### 600 Series

For use in insulated ceiling and non-insulated ceiling rated housings

High-efficacy LED with integral driver - dimmable



Refer to ENERGY STAR® Certified Products List. Can be used to comply with California Title 24 High Efficacy requirements. Certified to California Appliance Efficiency Database under JA8. \*5000K is not covered under T24.



## ENERGY DATA

Lumens	600 Series
Input Voltage	120V
Input Current	74 (mA)
Input Power	8.6 (W)
Inrush (A)	1.1
THD: ≤ 20%	
PF: ≥ 0.90	
T Ambient -30 - +40°C	
Sound Rating ≤ 22dba	

**ORDERING INFORMATION**

**SAMPLE NUMBER:** LA56069301EWH

A complete luminaire consists of a housing and LED module, order separately

Models	Lumens	CRI / CCT	Driver	Finish
<b>LA56</b> = 5-Inch/6-Inch LED Adjustable Gimbal	<b>06</b> =600 lumen (nominal)	<b>927</b> =90 CRI, 2700K <b>930</b> =90 CRI, 3000K <b>935</b> =90 CRI, 3500K <b>940</b> =90 CRI, 4000K <b>950</b> =90 CRI, 5000K	<b>1E</b> = 120V 60Hz leading or trailing edge phase cut 10% dimming	<b>WH</b> = matte white baffle

**Housings**

**Halo LED 5-inch**

**H550ICAT**= 5" LED, Insulated Ceiling, Air-Tite, New Construction Housing  
**H550RICAT**= 5" LED, Insulated Ceiling, Air-Tite, Remodel Housing  
**E550ICAT**= 5" LED, Insulated Ceiling, Air-Tite, New Construction Housing  
**E550RICAT**= 5" LED, Insulated Ceiling, Air-Tite, Remodel Housing

**Halo LED 6-inch**

**H750ICAT**= 6" LED, Insulated Ceiling, Air-Tite, New Construction Housing  
**H750RICAT**= 6" LED, Insulated Ceiling, Air-Tite, Remodel Housing  
**H750T**= 6" LED, Non-IC, Air-Tite, New Construction Housing  
**H750TCP**= 6" LED, Non-IC, New Construction/Remodel Chicago Plenum Housing  
**H2750ICAT**= 6" LED, Shallow, Insulated Ceiling, Air-Tite, New Construction (use with 691X, 694X, 696X trims only)  
**H2750RICAT**= 6" LED, Shallow, Insulated Ceiling, Air-Tite, Remodel (use with 691X, 694X, 696X trims only)  
**E750ICAT**= 6" LED, Insulated Ceiling, Air-Tite, New Construction Housing  
**E750RICAT**= 6" LED, Insulated Ceiling, Air-Tite, Remodel Housing

**Halo LED retrofit**

**ML7E26RFK**= 6" Retrofit Enclosure, Non-IC, E26 Screw base Interface  
**ML7BXFK**= 6" Retrofit Enclosure, Non-IC, BX Whip

**Halo Shallow Housings 5-inch**

**H25ICAT**= 5" Shallow, Insulated Ceiling, Air-Tite New Construction  
**H25RICAT**= 5" Shallow, Insulated Ceiling, Air-Tite Remodel  
**H25ICATNB**= 5" Shallow, Insulated Ceiling, Air-Tite New Construction, No Socket Bracket

**Halo Shallow Housings 6-inch**

**H27ICAT**= 6" Shallow, Insulated Ceiling, Air-Tite New Construction  
**H27RICAT**= 6" Shallow, Insulated Ceiling, Air-Tite Remodel Housing  
**H27T**= 6" Shallow, Non-IC, New Construction Housing  
**H27RT**= 6" Shallow, Non-IC, Remodel Housing  
**E27ICAT**= 6" Shallow, Insulated Ceiling, Air-Tite New Construction  
**E27RICAT**= 6" Shallow, Insulated Ceiling, Air-Tite Remodel Housing  
**E27TAT**= 6" Shallow, Non-IC, New Construction Housing  
**E27RTAT**= 6" Shallow, Non-IC, Remodel Housing

**Halo Standard Housings 5-inch**

**H5ICAT**= 5" Insulated Ceiling, Air-Tite New Construction Housing  
**H5RICAT**= 5" Insulated Ceiling, Air-Tite Remodel Housing  
**H5ICATNB**= 5" Insulated Ceiling, Air-Tite New Construction Housing, No Socket Bracket  
**H5T**= 5" Non-IC, New Construction Housing  
**H5RT**= 5" Non-IC, Remodel Housing  
**H5TNB**= 5" Non-IC, New Construction Housing, No Socket Bracket  
**E5ICAT**= 5" Insulated Ceiling, Air-Tite New Construction Housing  
**E5RICAT**= 5" Insulated Ceiling, Air-Tite Remodel Housing  
**E5ICATNB**= 5" Insulated Ceiling, Air-Tite New Construction Housing, No Socket Bracket  
**E5TAT**= 5" Non-IC, New Construction Housing  
**E5RTAT**= 5" Non-IC, Remodel Housing  
**E5TATNB**= 5" Non-IC, New Construction Housing, No Socket Bracket

**Halo Standard Housings 6-inch**

**H7ICAT**= 6" Insulated Ceiling, Air-Tite New Construction Housing  
**H7RICAT**= 6" Insulated Ceiling, Air-Tite Remodel Housing  
**H7ICT**= 6" Insulated Ceiling, New Construction Housing  
**H7RICT**= 6" Insulated Ceiling, Remodel Housing  
**H7ICATNB**= 6" Insulated Ceiling, Air-Tite New Construction Housing, No Socket Bracket  
**H7ICTNB**= 6" Insulated Ceiling, New Construction Housing, No Socket Bracket  
**H7T**= 6" Non-IC, New Construction Housing  
**H7RT**= 6" Non-IC, Remodel Housing  
**H7TNB**= 6" Non-IC, New Construction Housing, No Socket Bracket  
**H7TCP**= 6" Non-IC, Chicago Plenum, New Construction/Remodel Housing  
**H7UICAT**= 6" Insulated Ceiling, Universal, Air-Tite, New Construction Housing  
**E7ICAT**= 6" Insulated Ceiling, Air-Tite New Construction Housing  
**E7RICAT**= 6" Insulated Ceiling, Air-Tite Remodel Housing  
**E7ICATNB**= 6" Insulated Ceiling, Air-Tite New Construction Housing, No Socket Bracket  
**E7TAT**= 6" Non-IC, New Construction Housing  
**E7RTAT**= 6" Non-IC, Remodel Housing  
**E7TATNB**= 6" Non-IC, New Construction Housing, No Socket Bracket

**LA56 Series LED Retrofit is UL Classified for retrofit in the following 5"/6" recessed housings:**

The LA56 Series LED light module - trim combination is UL Certified for use with any 5"/6" diameter recessed housing constructed of steel or aluminum with an internal volume that exceeds 107.9 in<sup>3</sup> in addition to those noted above.

**Product Specifications**

PRODUCT SPECIFICATIONS	
Lumens	614
Watts	8.6
Lumens Per Watt (Efficacy)	71.4
Color Accuracy (CRI)	91
Light Color (CCT)	2700K
Correlated Color Temperature (CCT)	

PRODUCT SPECIFICATIONS	
Lumens	637
Watts	8.7
Lumens Per Watt (Efficacy)	73.3
Color Accuracy (CRI)	92
Light Color (CCT)	3000K
Correlated Color Temperature (CCT)	

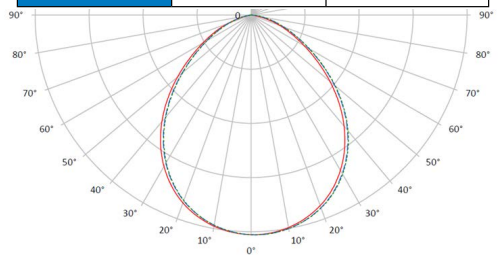
PRODUCT SPECIFICATIONS	
Lumens	640
Watts	8.6
Lumens Per Watt (Efficacy)	74.4
Color Accuracy (CRI)	92
Light Color (CCT)	3500K
Correlated Color Temperature (CCT)	

PRODUCT SPECIFICATIONS	
Lumens	640
Watts	8.6
Lumens Per Watt (Efficacy)	74.4
Color Accuracy (CRI)	92
Light Color (CCT)	4000K
Correlated Color Temperature (CCT)	

PRODUCT SPECIFICATIONS	
Lumens	630
Watts	8.6
Lumens Per Watt (Efficacy)	73.3
Color Accuracy (CRI)	92
Light Color (CCT)	5000K
Correlated Color Temperature (CCT)	

**Photometric Data\***

LA56069301EWH		
Luminaire lumens		637
Input watts		8.7
LER (LPW)		73.2
Spacing Criteria	0-180	1.22
	90-270	1.25
	Diagonal	1.28
Beam angle (degrees)		95.4
Field angle (degrees)		146.4
Zonal lumen	Lumens	% Lumens
0-30	215	33.8
0-40	344	54
0-60	555	87.1
0-90	637	100



\* Tested in accordance with IES LM63. Field results may vary.