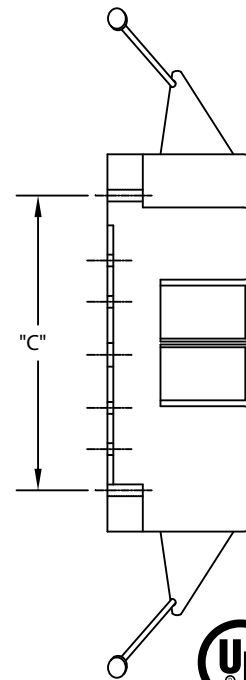
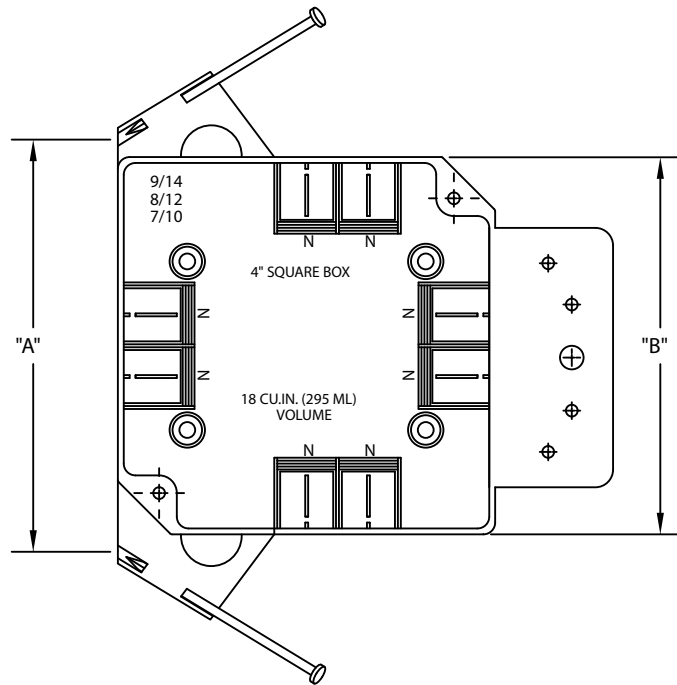
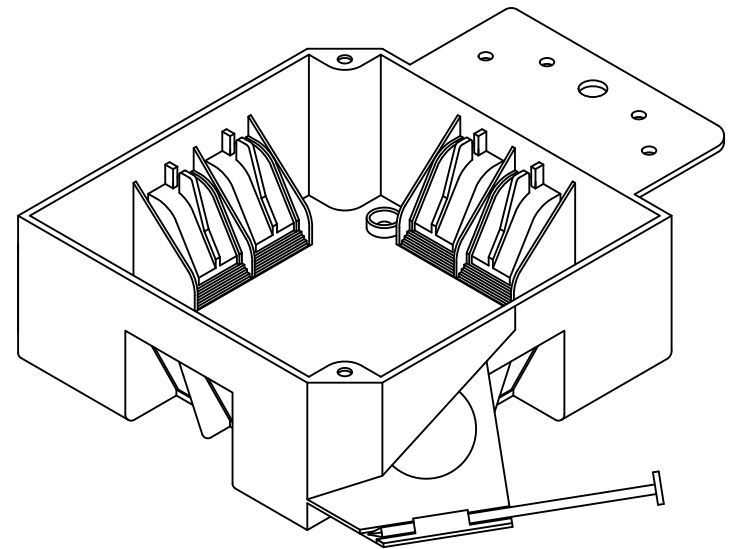


PART NUMBER	SIZE	"A"	"B"	"C"
EZ18XN	4" X 4" X 1 <sup>5</sup> / <sub>8</sub> " Enhanced angled nails for quick mounting between studs Flange mounting Eight clamps	4 <sup>7</sup> / <sub>16</sub> "	4"	3 <sup>3</sup> / <sub>8</sub> "
EZ18XNR	4" X 4" X 1 <sup>5</sup> / <sub>8</sub> " Enhanced angled nails for quick mounting between studs Flange mounting Eight clamps	4 <sup>7</sup> / <sub>16</sub> "	4"	3 <sup>3</sup> / <sub>8</sub> "



UL Listed  
 UL File # R18795 & E98429  
 UL Category Codes CEYY, QBWY & QCMZ  
 UL Control Number 39N9  
 UL 2 Hour Wall Fire Rated  
 Suitable for Masonry Walls  
 Material is Rigid PVC  
 See NEC Article 314 for use



**CANTEX**  
 INC.  
 Fort Worth, TEXAS

Four Sq. EZ Box 18 Cubic Inch, Nail On  
 Four Square & Shallow Nonmetallic Boxes

Drawn By: CD Branch

Date: 11/24/07

Ref. EZ18XN