
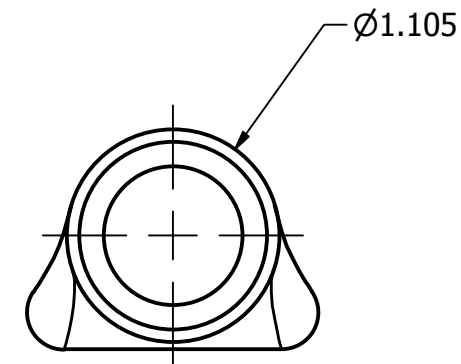
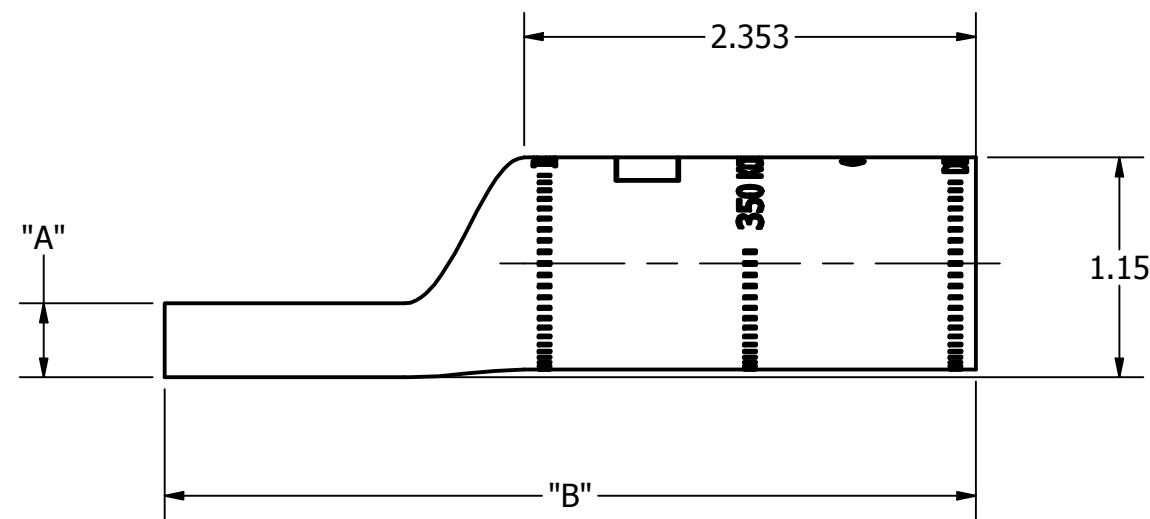
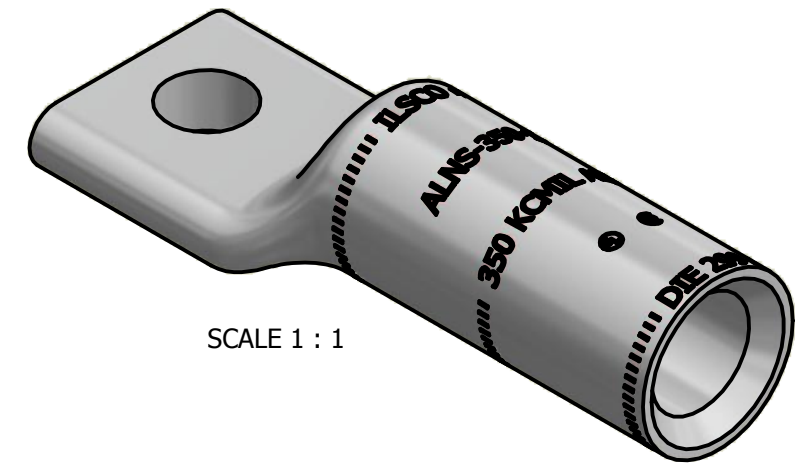
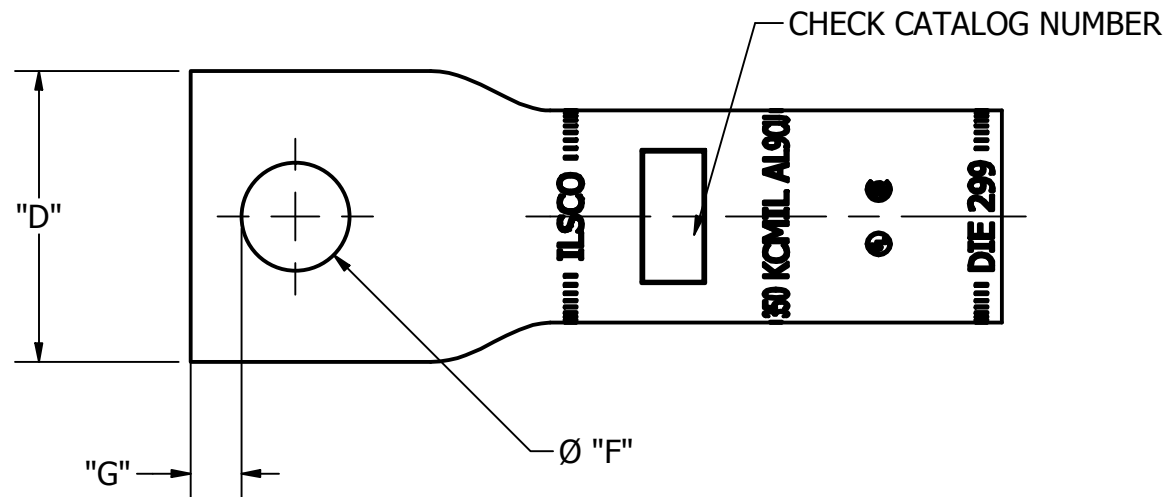


SCREW: NONE	MATERIAL: ALUMINUM	REV: G	 800-776-9775 www.ilsco.com
CAT. NO.: SEE CHART	PLATING: EL-TIN	DRAWN BY: MJK SCALE: NTS	
INFORMATION SHEET: FORM 196	MARKING: NO TANG MARKING	DATE: 6/12/2013 SIZE: B	
			DWG NO: YA1303, YAN1303 Single
			SHEET: 1 OF 1



Catalog Number	"A"	"B"	"D"	"F"	"G"
ALNS-350-12	0.350	4.310	1.516	0.562	.265
ALNN-350-12	0.438	4.300	1.075	0.562	.265

THE INFORMATION CONTAINED WITHIN THIS DOCUMENT IS PROPRIETARY TO ILSCO AND MAY NOT BE DISCLOSED WITHOUT PRIOR WRITTEN CONSENT