



STEALTH Sensor with 110° view. Double Look Down lens, surge protection, LED detection indicator and Color Matched Lens.

Color: Bronze

Weight: 1.1 lbs

Project:	Type:
Prepared By:	Date:

Technical Specifications

Listings

UL Listed:

Raintight Photoelectric Switch

Electrical

Switching Capacity:

8 amps

Voltage:

120 volts
300 watts LED

Surge Protection:

I.E.C specs

Sensor Specifications

Detection Pattern:

50' x 100°

Time Adjustment:

5 seconds to 12 minutes

Power Consumption:

1 watt

Other

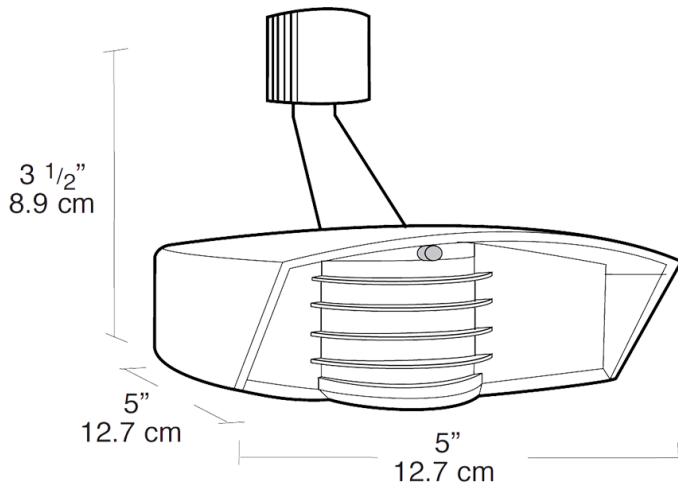
Warranty:

10 year sensor warranty

Buy American Act Compliance:

RAB values USA manufacturing! Upon request, RAB may be able to manufacture this product to be compliant with the Buy American Act (BAA). Please contact customer service to request a quote for the product to be made BAA compliant.

Dimensions



Features

- Temperature compensation
- Radio frequency immunity
- 6000 volt surge protection
- LED detection & "on guard" indicator
- Color matched vandal resistant lens and grill
- Protected manual override with auto reset
- Can be wired in parallel