


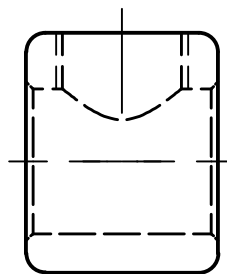
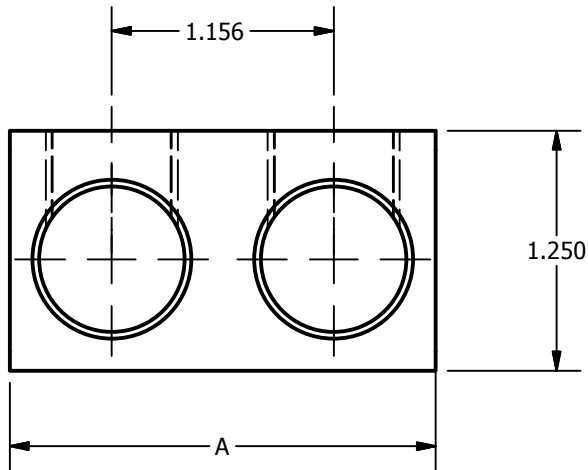
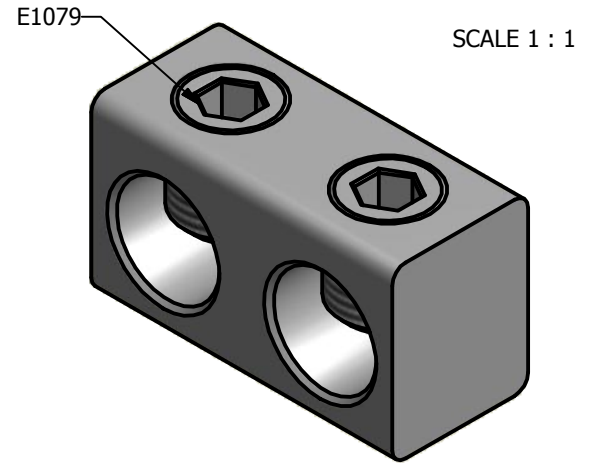
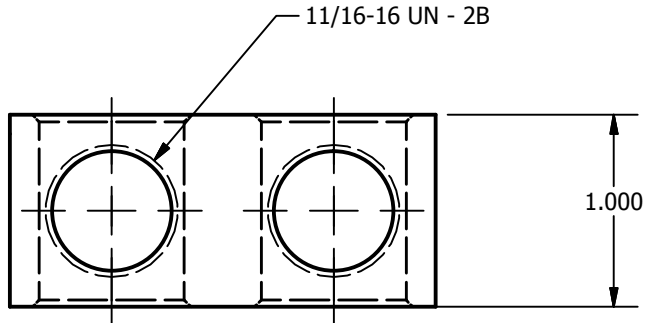


SCREW: E1079	MATERIAL: ALUMINUM	REV: N	 800-776-9775 www.ilsco.com
CAT. NO.: SEE CHART	PLATING: EL-TIN	DRAWN BY: CLH SCALE:1:1	
INFORMATION SHEET: FORM 1	MARKING: ILSCO, N1294, 350kcmil-6, AL9CU  	DATE:5/16/2007 SIZE: A	
			DWG. NO. N1294
			SHEET: 1 OF 1



CAT NO	NO. OF CONN.	A
PED-2-350-Z	2	2.218
PED-4-350-Z	4	4.53
PED-6-350-Z	6	6.842
PED-8-350-Z	8	9.154