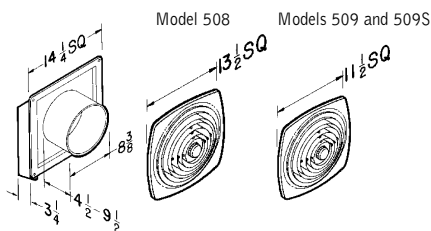


## Through-Wall fans

- Housing adjusts to fit walls from 4-1/2" – 9-1/2" thick
- Specially designed polymeric fan blade
- Built-in damper minimizes backdrafts for energy efficiency
- Paintable polymeric grilles
- Accessorize with wall switch or variable speed wall control

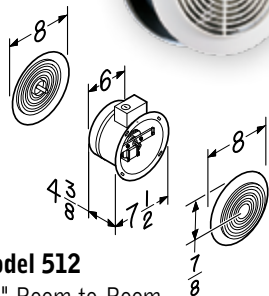


### Model 508

- 10" Through-Wall

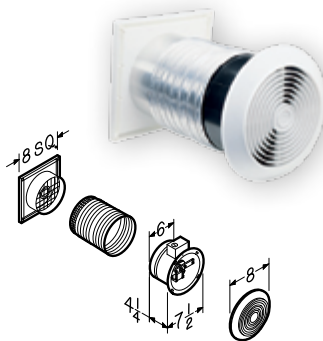
### Models 509 and 509S

- 8" Through-Wall
- Model 509S features an integral ON/OFF rotary switch – no wall switch to wire



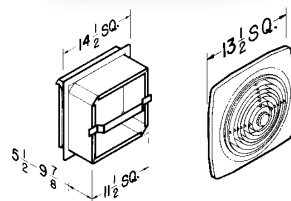
### Model 512

- 6" Room-to-Room
- Use 57W or 57V variable speed control separately



### Model 512M

- 6" Through-Wall
- Louvered exterior wall cap with built-in bird screen
- 6" diameter flexible aluminum duct included

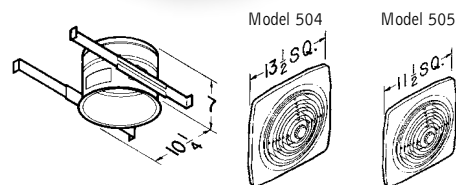


### Model 12C Motordor®

- 10" Through-Wall
- Separate motor opens and closes the vent door automatically

## Vertical Discharge

- Installs easily between ceiling joists
- Built-in backdraft damper
- Galvanized steel housing
- Strong steel mounting brackets with keyhole slots for fast installation

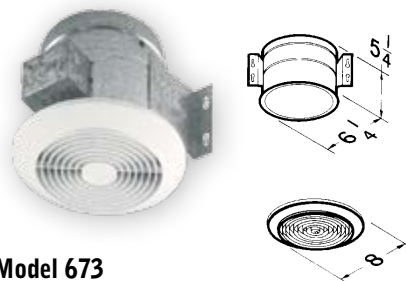


### Model 504 (shown)

- 10" Vertical Discharge
- Fits 10" round duct – use Model 472 transition/damper (available separately) for 8" round duct (performance will be reduced)

### Model 505

- 8" Vertical Discharge
- 8-1/4" diameter housing



### Model 673

- 6" Vertical Discharge
- Paintable, spin-on, white polymeric grille

Through-Wall	CFM	Sones	Diameter	Sizing Specifications
<b>12C Motordor®</b>	360	8.0	10"	Fits 5-1/2" – 9-7/8" thick walls
<b>508</b>	270	6.0	10"	Fits 4-1/2" – 9-1/2" thick walls
<b>509/509S</b>	180	6.5	8"	Fits 4-1/2" – 9-1/2" thick walls 509S Integral ON/OFF Rotary Switch
<b>512</b>	90	3.5	6"	Fits up to 5-1/8" thick walls
<b>512M</b>	70	3.5	6"	Fits 5-1/4" – 10" thick walls
Vertical Discharge				
<b>504</b>	350	6.5	10"	Fits 10" round duct
<b>505</b>	180	6.5	8"	Fits 8" round duct
<b>673</b>	60	4.5	6"	Fits 6" round duct

