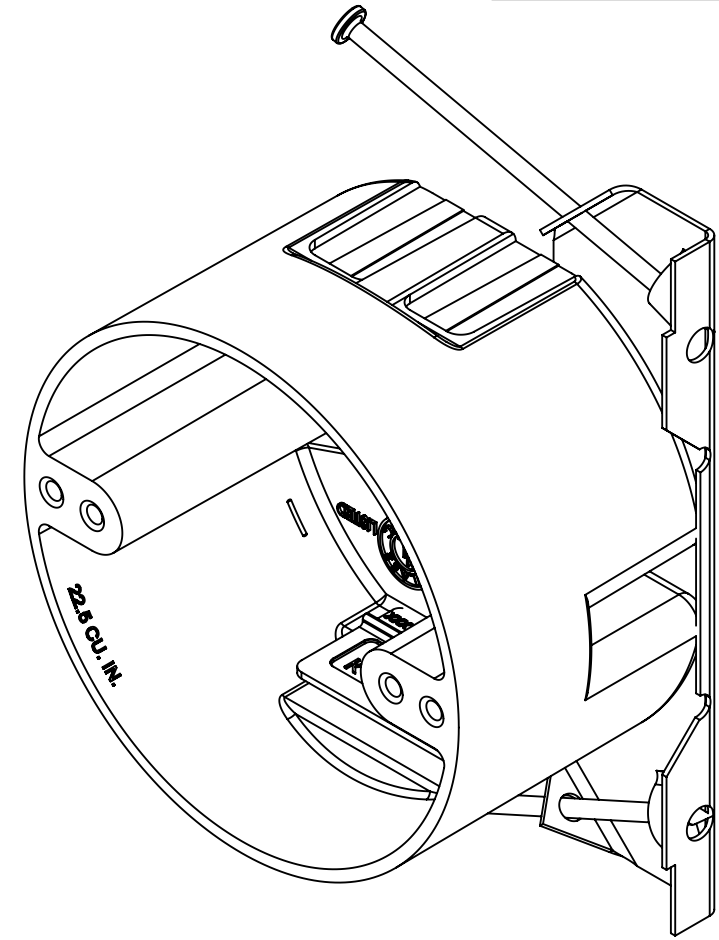
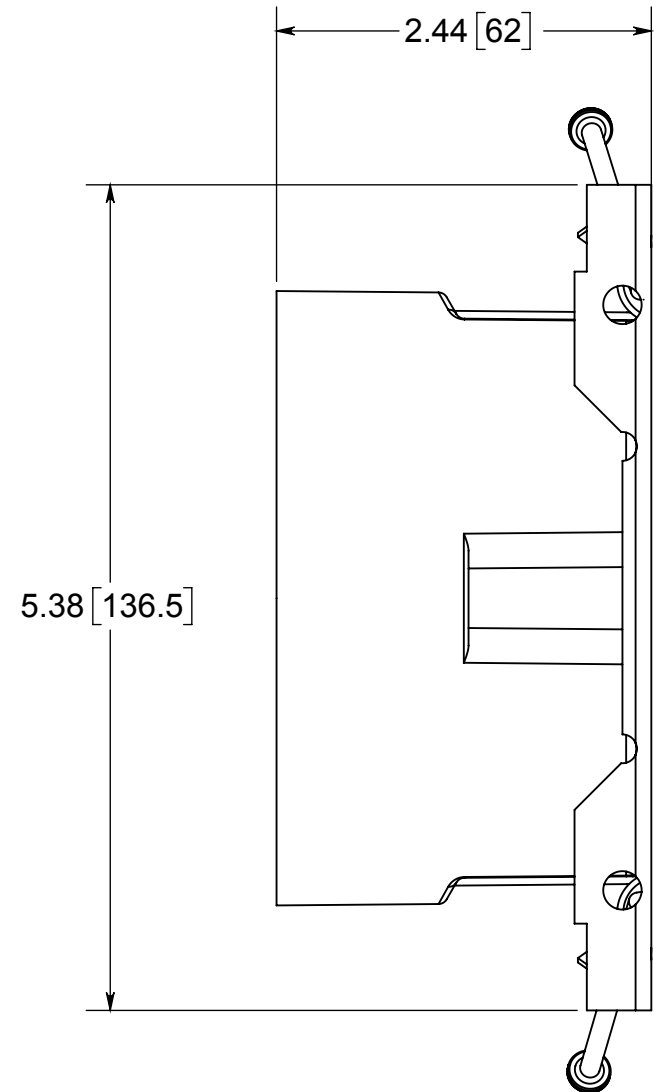
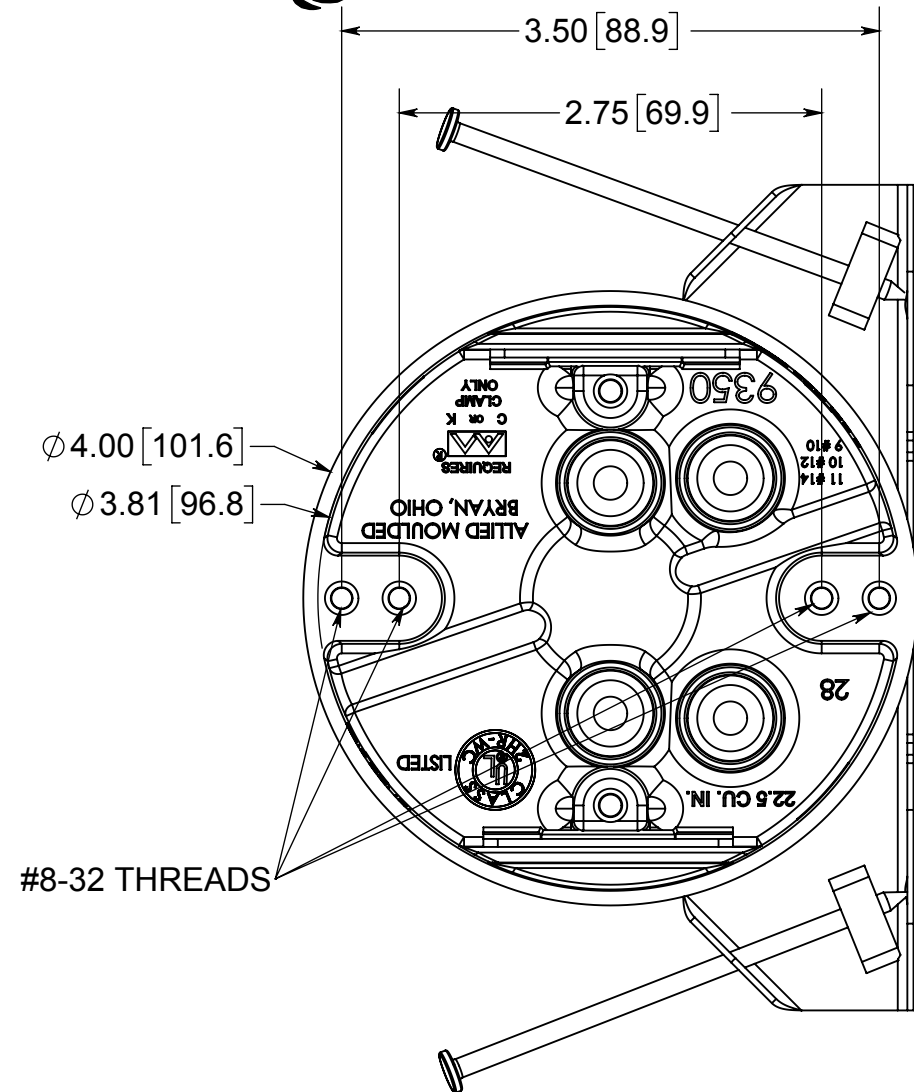
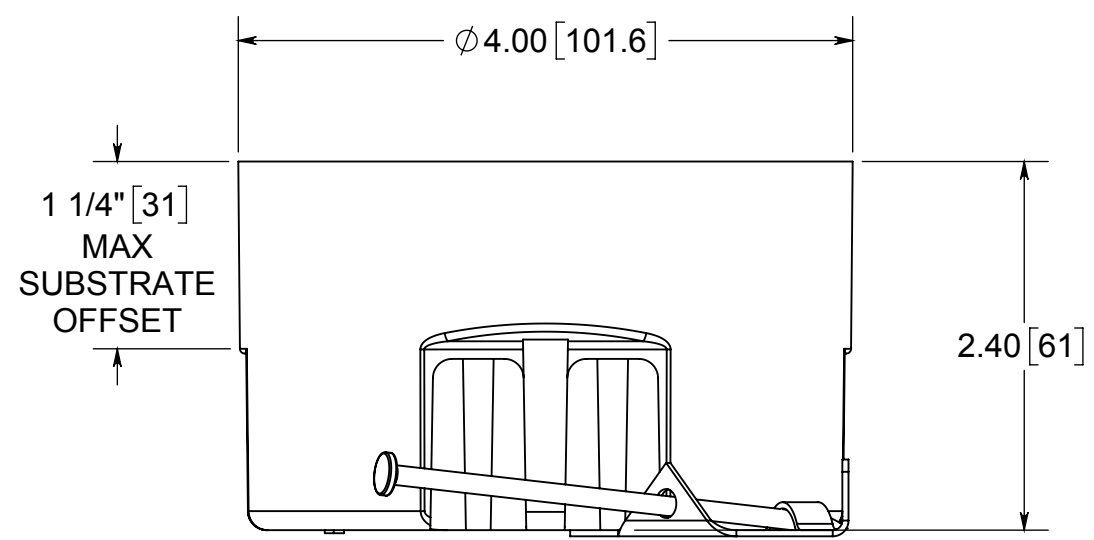


# fiberglass BOX™

ISSUE DATE: - 05/19/2015



- NOTES:**
- 1.) BOX MATERIAL: FIBERGLASS REINFORCED POLYESTER, SPEED KLAMP MATERIAL: PVC, MOUNTING BRACKET MATERIAL: GALVANIZED STEEL, NAIL MATERIAL: PLATED CARBON STEEL
  - 2.) UL LISTED WITH 2 HOUR FIRE RATING FOR WALL AND CEILING
  - 3.) 2 SPEED KLAMPS FACTORY INSTALLED



**CONFIDENTIAL**  
 THIS MATERIAL IS OWNED BY THE ALLIED MOULDED PRODUCTS COMPANY, IS DISCLOSED IN CONFIDENCE, AND IS NOT TO BE REPRODUCED OR DISTRIBUTED WITHOUT PRIOR WRITTEN PERMISSION FROM ALLIED MOULDED PRODUCTS.

 **ALLIED MOULDED PRODUCTS**  
 BRYAN, OHIO  
 The Original Fiber Glass Outlet Box

PRODUCT SERIES  
**4" ROUND 22.5 CU. IN.**

Part No.  
**9350-HNK**