

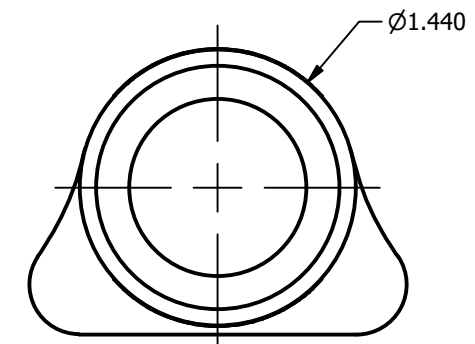
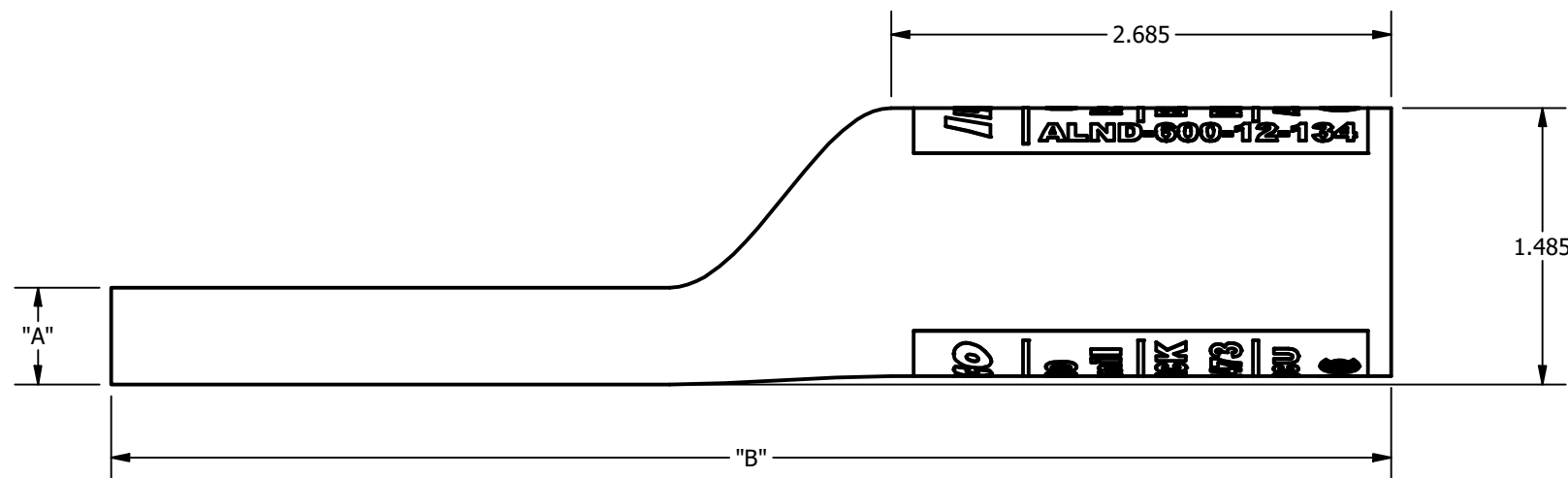
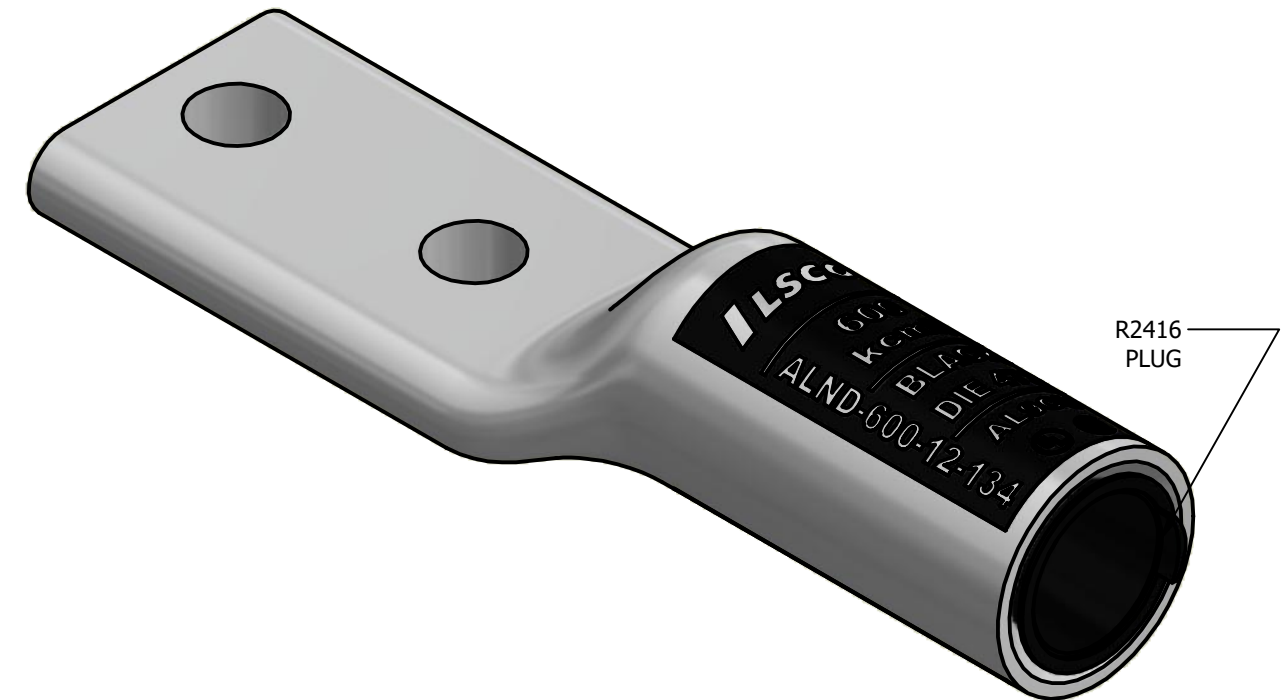
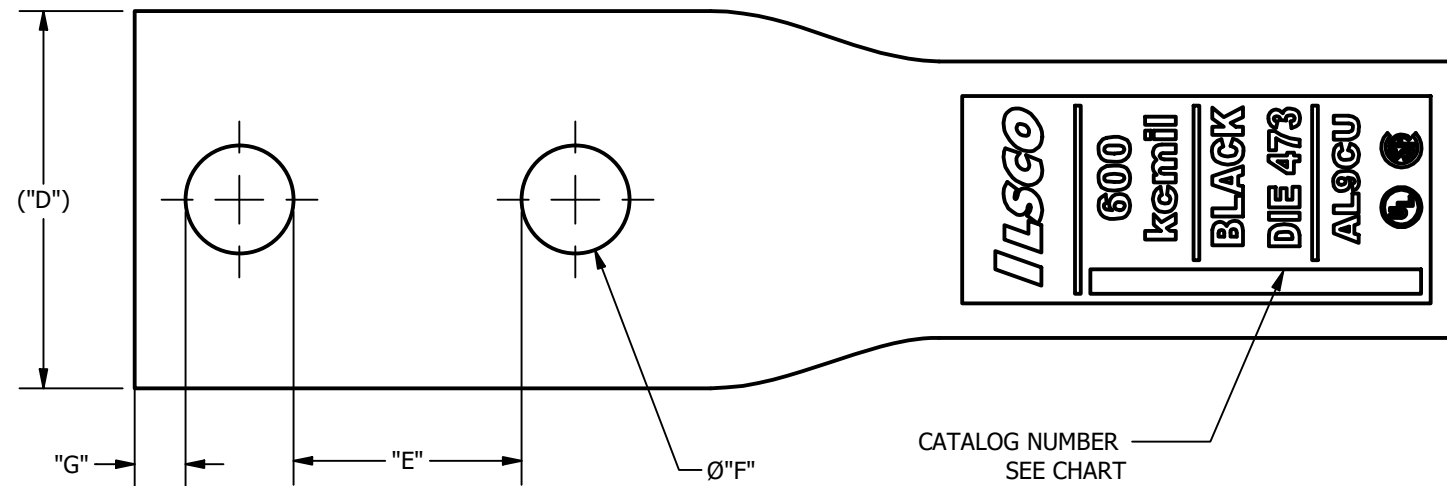
SCREW: NONE
 CAT. NO.: SEE CHART
 INFORMATION SHEET: FORM 196

MATERIAL: ALUMINUM
 PLATING: EL-TIN
 MARKING: NO TANG MARKING

REV: P
 DRAWN BY: MJK SCALE: NTS
 DATE: 6/14/2013 SIZE: B

ILSCO
 connections
 matter
 800-776-9775 www.ilSCO.com

DWG NO: YA1603, YAN1603 Double
 SHEET: 1 OF 1



CATOLGY NUMBER	"A"	"B"	"D"	"E"	"F"	"G"
ALND-600-38-1	.520	5.850	1.965	0.594	0.406	.211
ALNN-600-38-1	.520	5.825	1.410	0.594	0.406	.211
ALND-600-12-1	.520	6.000	1.965	0.438	0.562	.265
ALNN-600-12-1	.520	5.970	1.410	0.438	0.562	.265
ALND-600-38-134	.520	6.525	1.965	1.344	0.406	.211
ALNN-600-38-134	.520	6.509	1.410	1.344	0.406	.211
ALND-600-12-134	.520	6.875	1.965	1.188	0.562	.265
ALNN-600-12-134	.520	6.856	1.410	1.188	0.562	.265