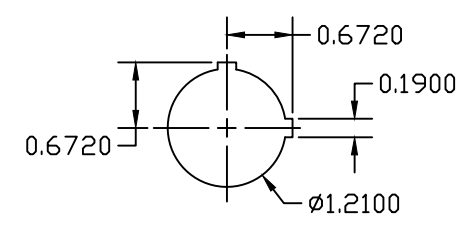
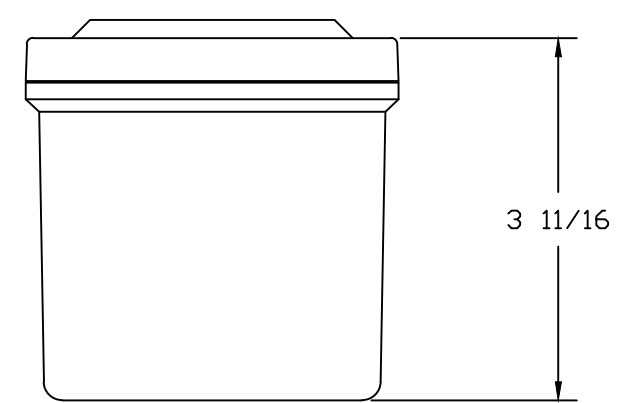
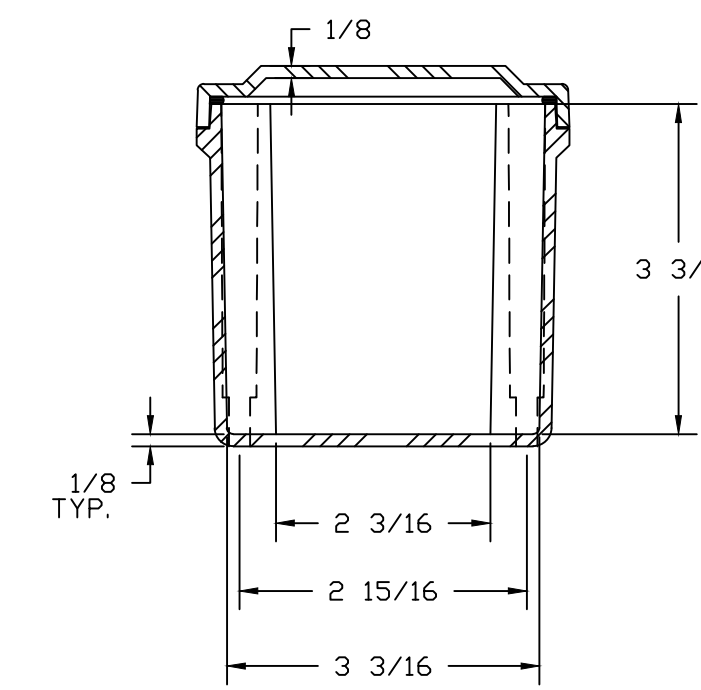


SECTION B-B




DETAIL A



SECTION A-A

NOTES:

NEMA 4X COLOR: GLACIER GRAY RR1013				TOLERANCES UNLESS SPECIFIED		DECIMAL ± .010	FRACTIONAL ± 1/32
GROUND STRAP TO BE FURNISHED WITH ENCLOSURE							
MATERIAL	F.R. POLYESTER FIBERGLASS	DR. BY	SH	DATE	7/16/91	 BELDING, MICHIGAN 48809 AutoCAD DWG. FILE CF3PB	
LET.	REVISION RECORD	DATE	BY	CHD.	CHK. BY		
					APD. BY	DATE	CUSTOMER
					SCALE DO NOT SCALE	PART NAME ENCLOSURE	PART NO. CF3PB