
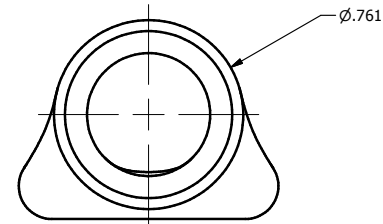
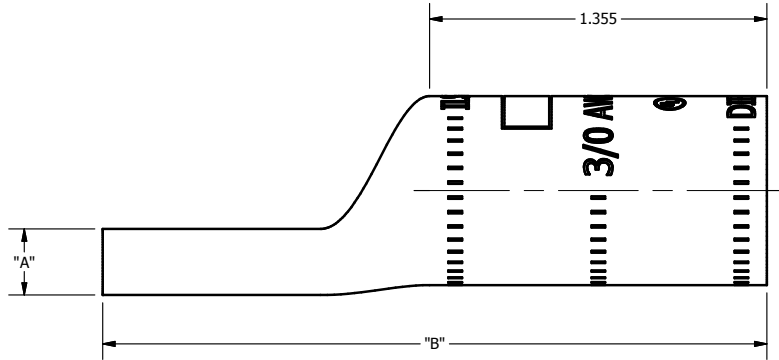
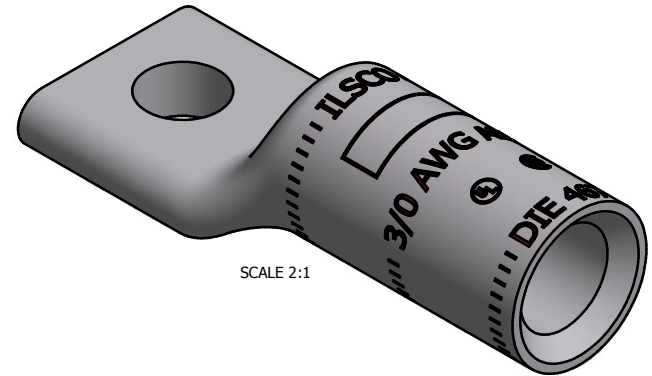
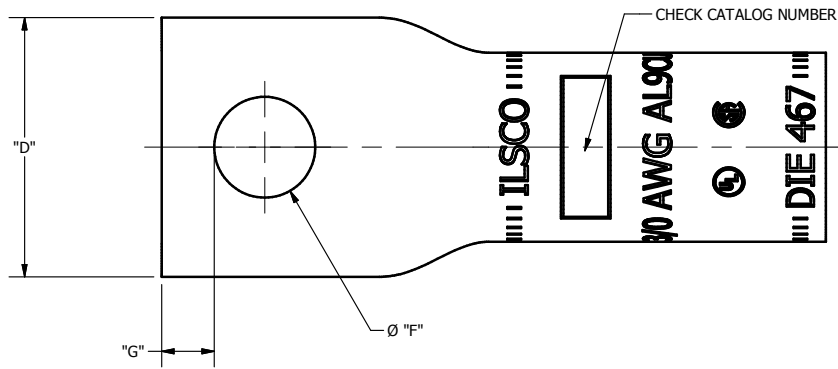


SCREW: NONE	MATERIAL: ALUMINUM	REV: J	 800-776-9775 www.ilSCO.com
CAT. NO. SEE CHART	PLATING: EL-TIN	DRAWN BY NWW SCALE: NTS	
INFORMATION SHEET FORM 196	MARKING: NO TANG MARKING	DATE 5/30/2013 SIZE: B	
			DWG NO: YA0903, YAN0903 Single
			SHEET: 1 OF 1



Catalog Number	"A"	"B"	"D"	"F"	"G"
ALNS-3/0-38	0.266	2.950	1.044	0.406	.211
ALNN-3/0-38	0.266	2.969	.745	0.406	.211
ALNS-3/0-12	0.266	3.310	1.044	0.562	.265

THE INFORMATION CONTAINED WITHIN THIS DOCUMENT IS PROPRIETARY TO ILSICO AND MAY NOT BE DISCLOSED WITHOUT PRIOR WRITTEN CONSENT