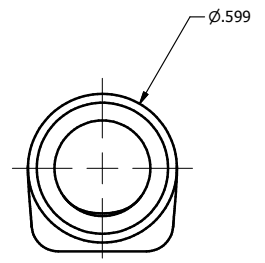
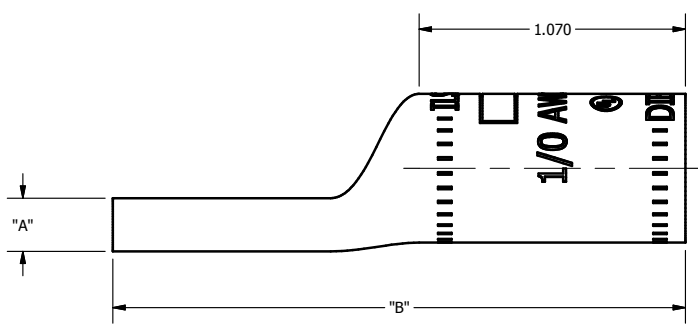
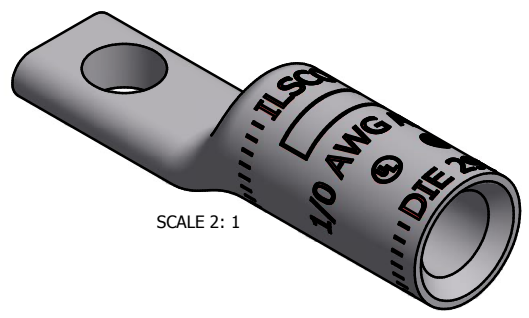
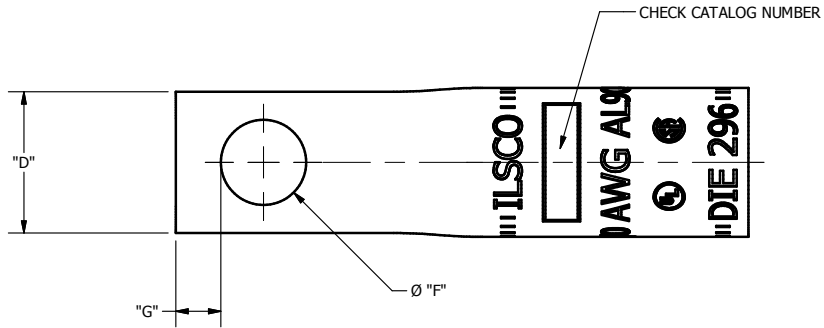


SCREW: NONE	MATERIAL: ALUMINUM	REV: K
CAT. NO.: SEE CHART	PLATING: EL-TIN	DRAWN BY: NWV SCALE: NTS
INFORMATION SHEET: FORM 196	MARKING: NO TANG MARKING	DATE: 5/30/2013 SIZE: B

ILSCO
connections matter
800-776-9775 www.ilsco.com

DWG NO: **YA0703, YAN0703 Single**
SHEET: 1 OF 1



Catalog Number	"A"	"B"	"D"	"F"	"G"
ALNS-1/0-516	.214	2.450	.819	0.343	.181
ALNN-1/0-516	.216	2.450	.569	0.343	.181
ALNS-1/0-38	.214	2.460	.819	0.406	.211
ALNN-1/0-38	TBD	2.301	.569	0.406	.211
ALNS-1/0-12	.214	2.820	.819	0.562	.265

THE INFORMATION CONTAINED WITHIN THIS DOCUMENT IS PROPRIETARY TO ILSCO AND MAY NOT BE DISCLOSED WITHOUT PRIOR WRITTEN CONSENT