
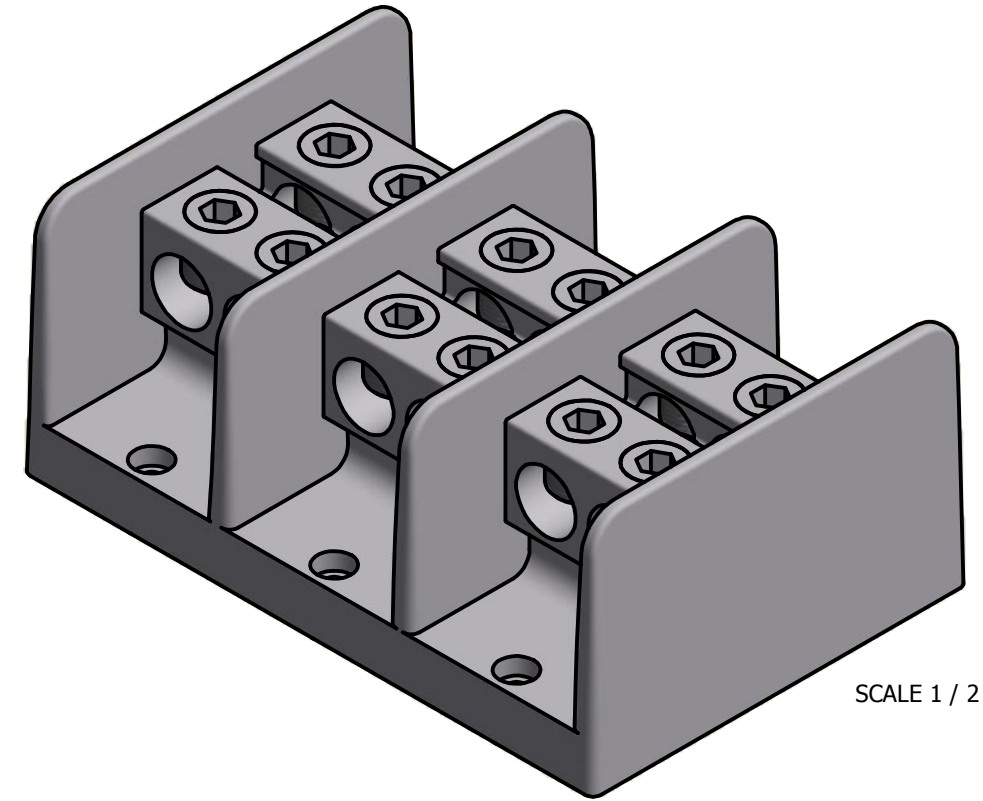
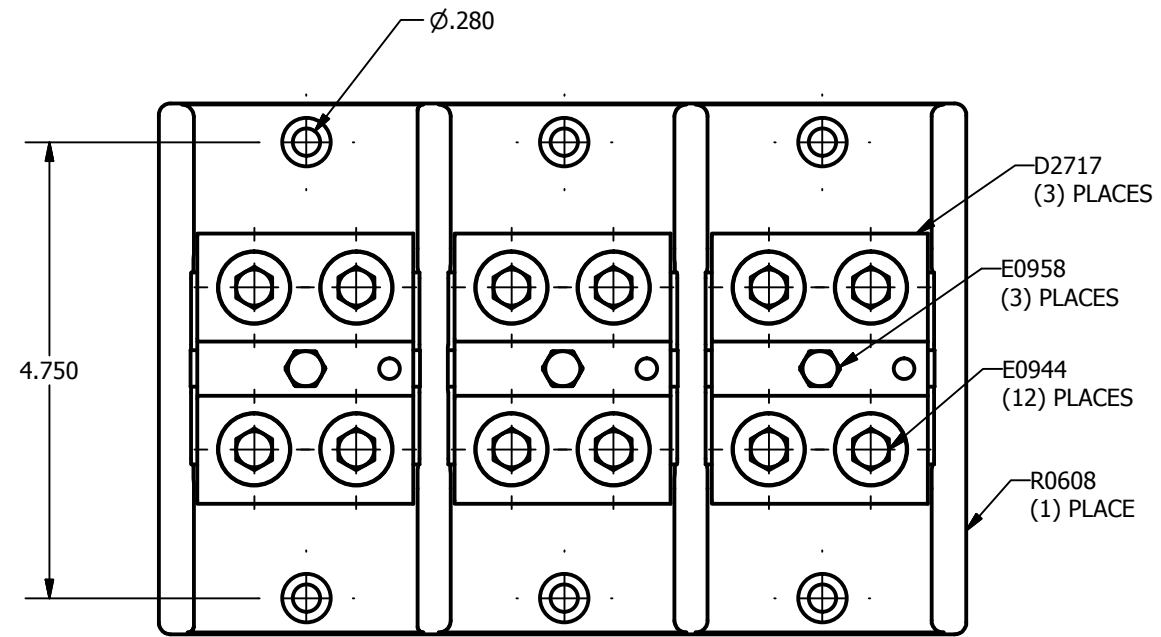


SCREW: E0958, E0944	MATERIAL: NONE	REV: H	 800-776-9775 www.ilSCO.com
CAT. NO.: PDB-22-500-3	PLATING: NONE	DRAWN BY: CLH SCALE:	
INFORMATION SHEET: NONE	MARKING: NONE	DATE: 11/30/2007 SIZE: B	
			DWG NO: M2573
			SHEET: 1 OF 1



SCALE 1 / 2

