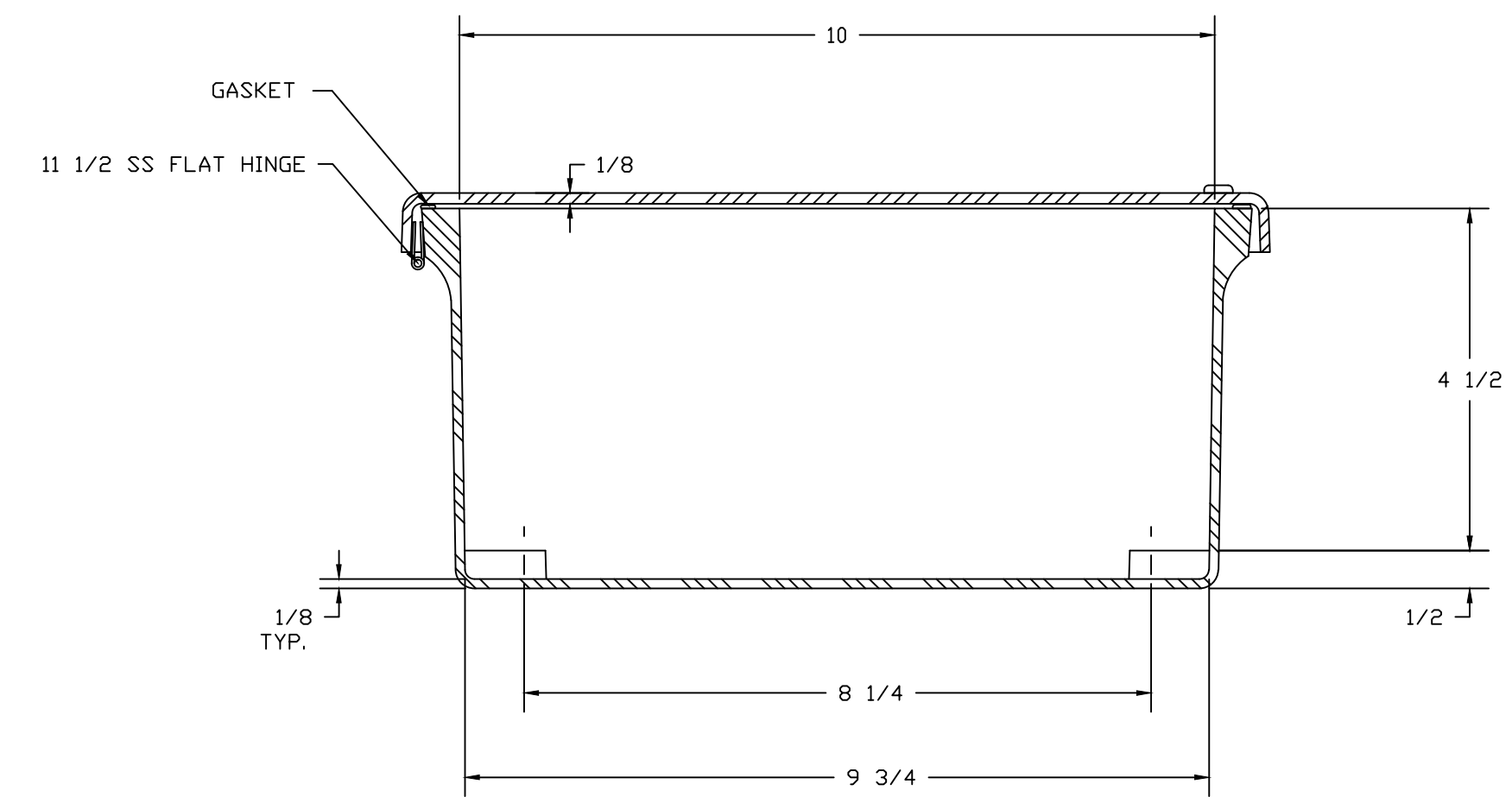
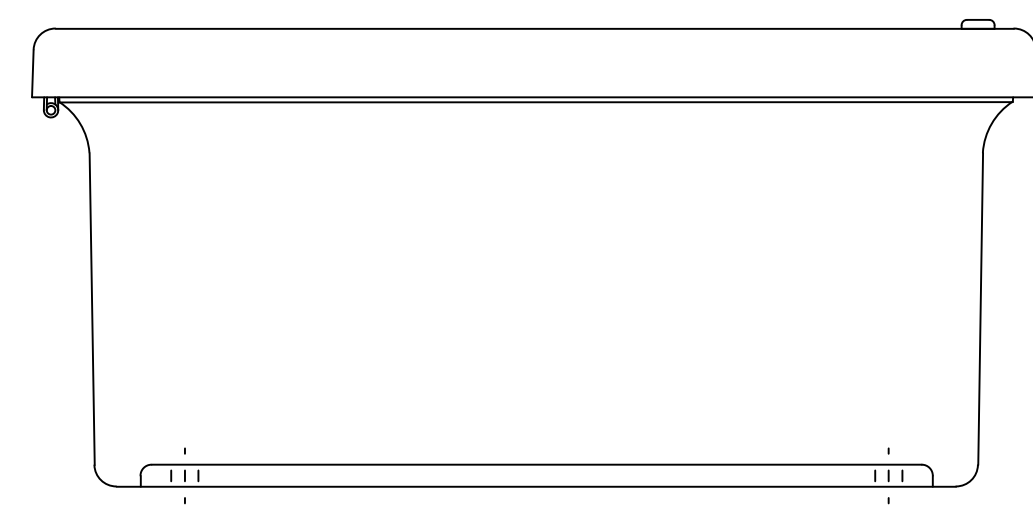



SECTION B-B



SECTION A-A

NOTES:

COLOR: GLACIER GRAY RR3013		STANDARD P/N: J1210HW		TOLERANCES UNLESS SPECIFIED	DECIMAL ± 0.010	FRACTIONAL ± 1/32
NEMA 1, 3R, 4X, 12		DR. BY SL	DATE 12/20/11	 BELDING, MICHIGAN 48809 DIVISION OF ROBOBY INDUSTRIES		
MATERIAL F.R. POLYESTER FIBERGLASS		CHK. BY	DATE			
LET.	REVISION RECORD	DATE	BY	CHD.	APD. BY	DATE
SCALE DD NOT SCALE				PART NAME ENCLASURE	PART NO. J1210HW	

AutoCAD DWG. FILE J1210HW