



Gotcha Sensor with 110° view, surge protection, 500 Watt switching capacity, auto test logic and manual override.

Color: White

Weight: 0.7 lbs

<b>Project:</b>	<b>Type:</b>
<b>Prepared By:</b>	<b>Date:</b>

**Technical Specifications**

**Listings**

**UL Listing:**

Suitable for wet locations

**Electrical**

**Voltage:**

120 or 277 volts AC 60 Hz

**Power Consumption:**

1W

**Surge Protection:**

Withstands up to 6000 volts

**Wall Switch Manual Override:**

Two flip logic prevents activation by momentary power outages. Override resets to auto after 6 hours or at dawn. No extra wiring needed.

**Switching Capacity:**

500 watts Incandescent @120 volts, 5 amps 250 watts Fluorescent

**Sensor Characteristics**

**Time Adjustment:**

10 seconds to 5 minutes

**Photoelectric Control:**

Deactivates lights during daylight. Fully adjustable for 24 hour operation or custom applications.

**Detector Sensitivity:**

Adjustable from 100% to 50%

**Sensor Housing:**

Made of tough, corrosion resistant polycarbonate

**Detection:**

110° view

**Construction**

**Floodlights:**

Made of tough, corrosion-resistant polycarbonate. For extra or replacement floodlights, order cat# TUFFY in your choice of color. Accepts PAR-38 lamps, medium base, 150 watts max. Lamps not included.

**Other**

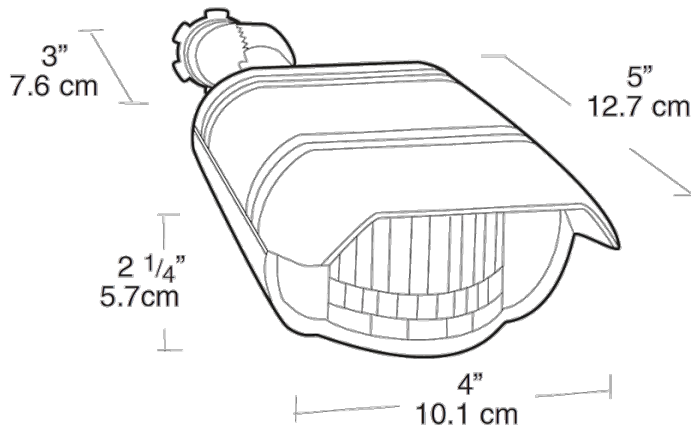
**Warranty:**

5 year sensor warranty

**Buy American Act Compliance:**

RAB values USA manufacturing! Upon request, RAB may be able to manufacture this product to be compliant with the Buy American Act (BAA). Please contact customer service to request a quote for the product to be made BAA compliant.

**Dimensions**



**Features**

- 500 Watt switching capacity
- New vandal resistant grill
- 6000 volt surge protection
- Temperature compensation
- Protected manual override with auto reset
- Double look down lens
- 5-Year, No-Compromise Warranty