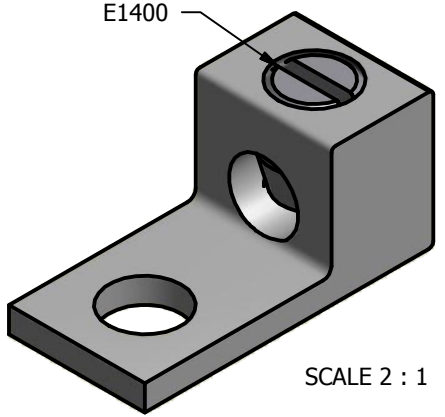
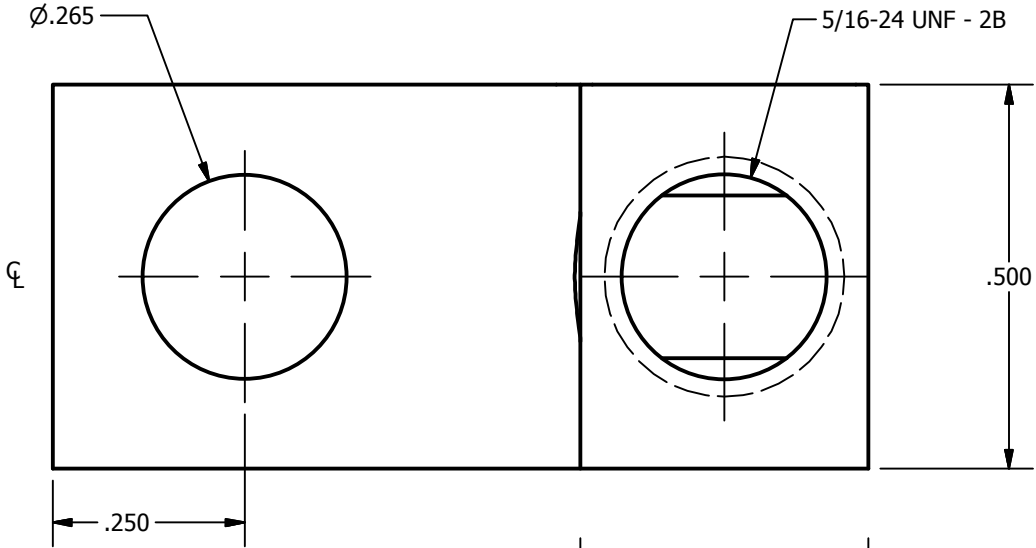
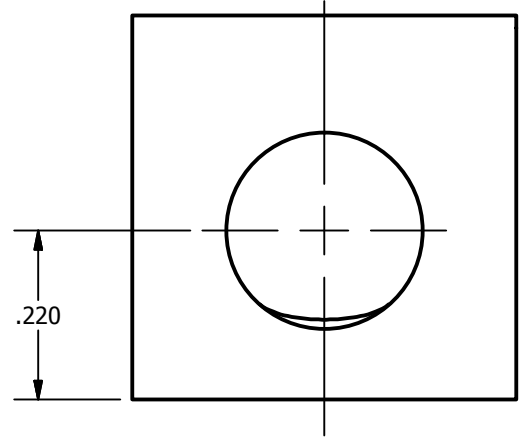
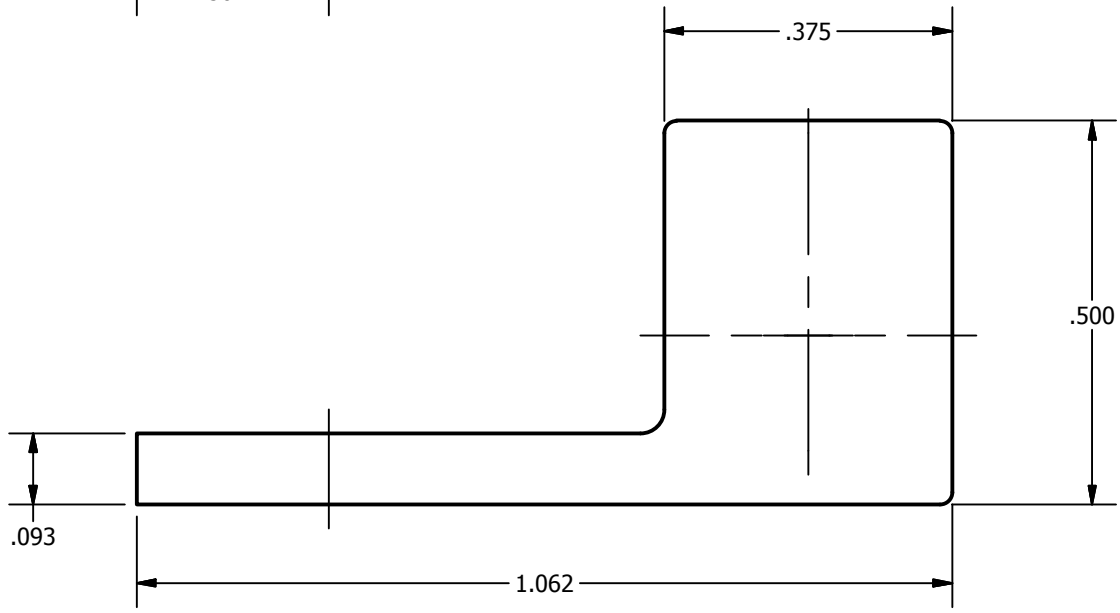


SCREW: E1400	MATERIAL: ALUMINUM	REV: M	ILSCO connections matter	
CAT. NO.: TA-6-S, TA-6-S-B2	PLATING: EL-TIN	DRAWN BY: CLH	SCALE:4:1	800-776-9775 www.ilsco.com
INFORMATION SHEET: SEE CHART	MARKING: SEE CHART	DATE:10/1/2007	SIZE: A	DWG. NO. D2774
				SHEET: 1 OF 1



SCALE 2 : 1



DEVIATION	STUFFER SHEET	MARKING
C10T	FORM 96	BKB, ADR6, AL9CU, 6-14
C22T	FORM 1	ILSCO, TA-6S, 4-14, AL9CU