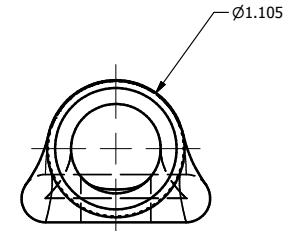
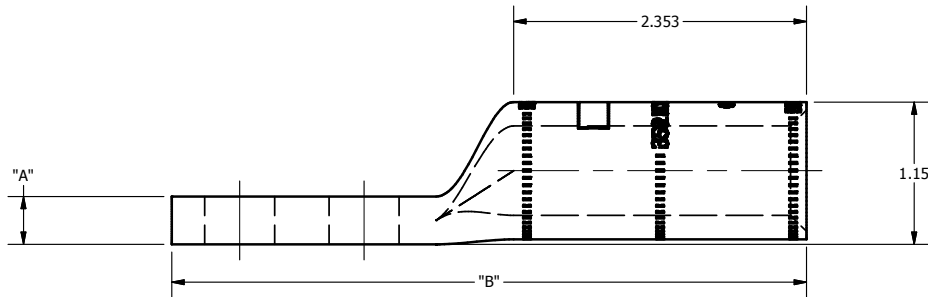
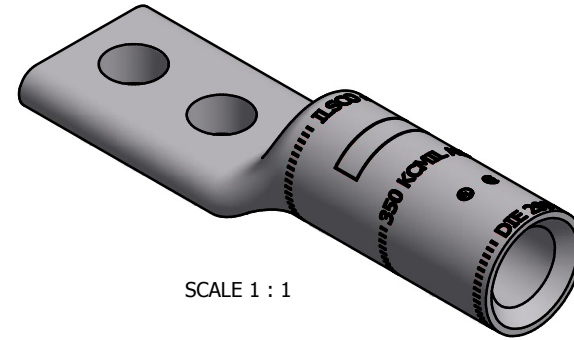
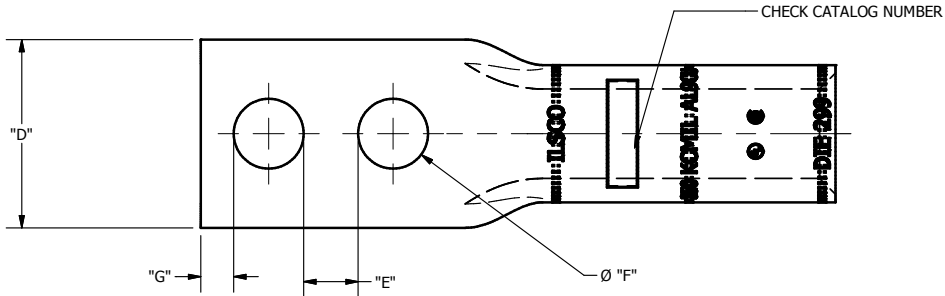


SCREW: NONE	MATERIAL: ALUMINUM	REV: Q
CAT. NO.: SEE CHART	PLATING: EL-TIN	DRAWN BY: MJK
INFORMATION SHEET:	MARKING: NO TANG MARKING	SCALE: NTS
		DATE: 6/12/2013
		SIZE: B



CATALOG NUMBER	"A"	"B"	"D"	"E"	"F"	"G"
ALND-350-38-1	0.385	4.990	1.516	0.594	0.406	.211
ALNN-350-38-1	0.410	4.990	1.080	0.594	0.406	.211
ALND-350-12-1	0.385	5.480	1.516	0.438	0.562	.265
ALNN-350-12-1	0.410	5.180	1.075	0.438	0.562	.265
ALND-350-38-134	0.385	5.661	1.516	1.344	0.406	.211
ALNN-350-38-134	0.438	5.601	1.075	1.344	0.406	.211
ALND-350-12-134	0.385	6.065	1.516	1.188	0.562	.265
ALNN-350-12-134	0.438	6.060	1.075	1.188	0.562	.265