
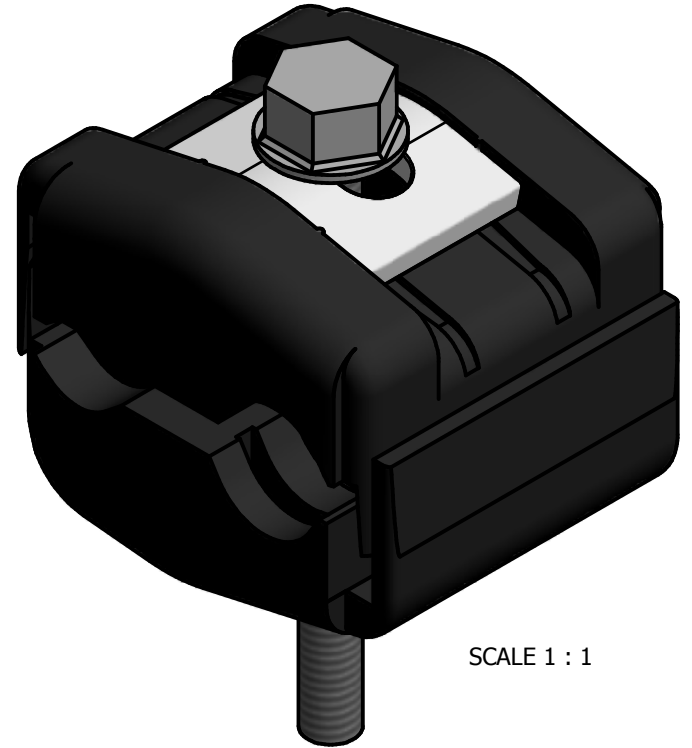
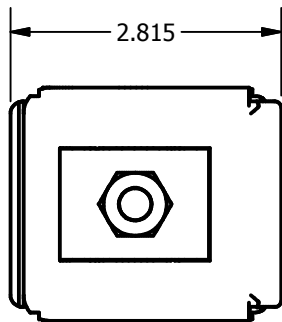
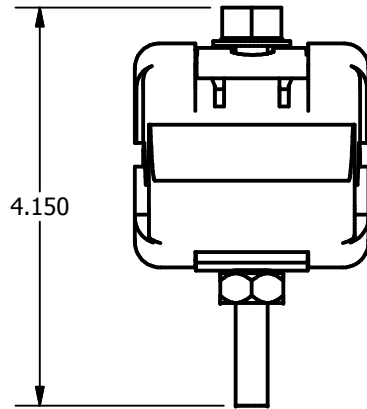
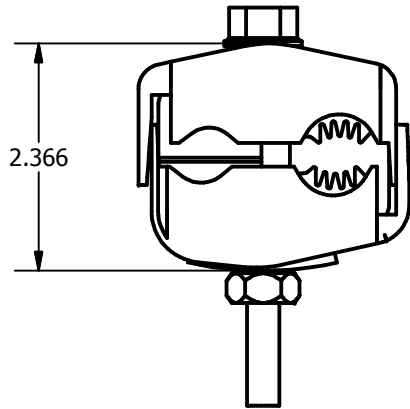
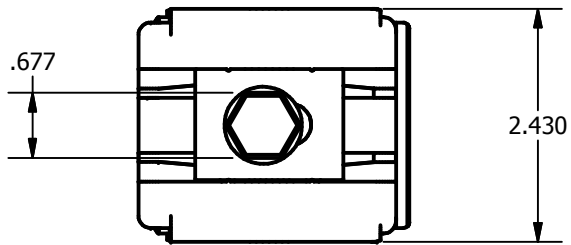


SCREW: 130103	MATERIAL: SEE NOTES 1 & 2	REV: I		
CAT. NO.: IPC-500-250 & IPC-500-250-B	PLATING: NONE	DRAWN BY: JG	SCALE: 1:2	800-776-9775 www.ilsco.com
INFORMATION SHEET: FORM 71	MARKING: NONE	DATE: 2/4/2008	SIZE: A	DWG. NO. <b>K0426</b>
				SHEET: 1 OF 1



- NOTES:
1. NYLON BODY
  2. TIN PLATED COPPER TEETH
  3. WIRE RANGE: MAIN- 500kcmil - 250kcmil  
TAP- 250kcmil - 4