

Product data sheet

Characteristics

QO1816M200FTRB

Load center, QO, 1 phase, 8 spaces, 16 circuits, 200A convertible main breaker, NEMA3R, feedthru lugs, UL



Main

Marketing Trade Name	QO
Product	Load Center
Enclosure type	Weatherproof enclosure
Cover type	Surface cover

Complementary

Load Center Type	Main breaker
Line Rated Current	200 A
Number of spaces	8
Max Short Circuit Current Rating	22 kA
Maximum Number of Single Pole Circuits	16
Maximum Number of Tandem Breakers	8
Number of Phases	1 phase
Voltage Rating	120/240 V AC
Wire Size	AWG 4...250 kcmil aluminium/copper
Electrical Connection	Feed-thru lugs
Grounding Bar	Grounding bar (ordered separately)
Electrical connection	Feed-thru lugs
Wiring configuration	3-wire
Busbar Material	Tin plated copper busbar
Enclosure Material	Welded galvanized steel
Cover Finish	Baked enamel Gray
Box number	6R
Maximum Height	29.84 in (758 mm)
Maximum Width	14.76 in (375 mm)

Environment

Enclosure Rating	NEMA 3R outdoor
Ambient air temperature for operation	23 °F (-5 °C) 104 °F (40 °C)
Product certifications	UL Listed

Ordering and shipping details

Category	00101 - QO 1PH LC,2-8CKT,NEMA 1,3R
Discount Schedule	DE3A
GTIN	00785901868187
Nbr. of units in pkg.	1
Package weight(Lbs)	32.1 lb(US) (14.56 kg)

Returnability	Yes
Country of origin	US

Packing Units

Unit Type of Package 1	PCE
Package 1 Height	31.30 in (79.502 cm)
Package 1 width	4.80 in (12.192 cm)
Package 1 Length	15.50 in (39.37 cm)
Unit Type of Package 2	PAL
Number of Units in Package 2	21
Package 2 Weight	702.00 lb(US) (318.422 kg)
Package 2 Height	38.00 in (96.52 cm)
Package 2 width	40.00 in (101.6 cm)
Package 2 Length	48.00 in (121.92 cm)

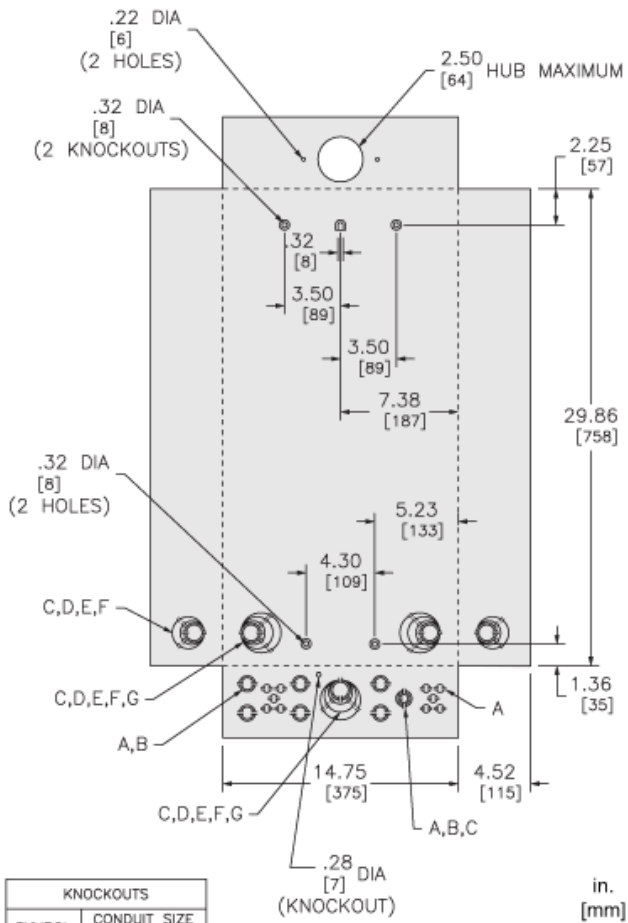
Offer Sustainability

REACH Regulation	REACH Declaration
REACH free of SVHC	Yes
EU RoHS Directive	Compliant EU RoHS Declaration
Toxic heavy metal free	Yes
Mercury free	Yes
RoHS exemption information	Yes
China RoHS Regulation	China RoHS Declaration

Contractual warranty

Warranty	18 months
----------	-----------

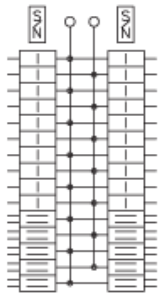
Approximate Dimensions



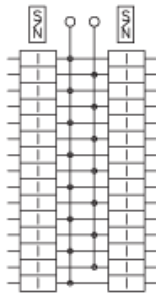
KNOCKOUTS		
SYMBOL	CONDUIT SIZE	
	IN	MM
A	.50	13
B	.75	19
C	1.00	25
D	1.25	32
E	1.50	38
F	2.00	51
G	2.50	64

in.
[mm]

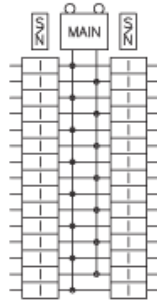
Connections and Wiring Diagrams



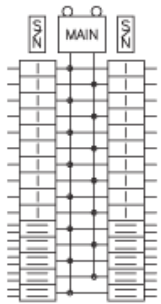
QO13040L200GRB



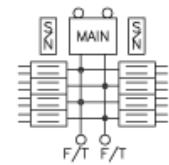
QO130L150GRB
QO130L200GRB



QO130M150RB
QO130M200RB



QO13040M200GRB



QO1816M150FTRB
QO1816M200FTRB