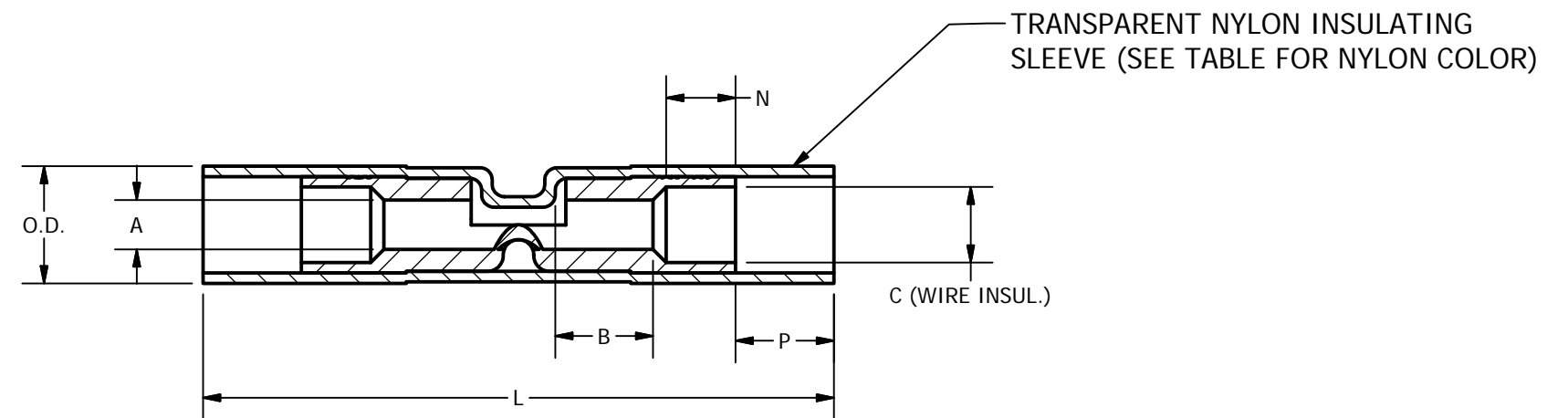
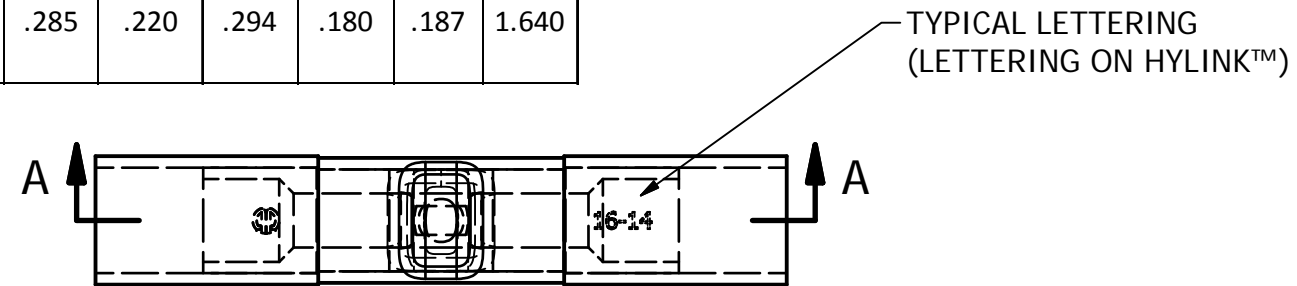


REV	DATE	DESCRIPTION	ECO	BY	C'H'K.
A	07/03/2013	REDRAWN TO INVENTOR & UPDATE DRAWING PER M/U.	32212	RB	EM

STRANDED WIRE		ACCOMMODATES										
SIZE	SPEC.	INSULINK™ CAT. NO.	BULK CAT. NO.	WIRE STRIP LENGTH	NYLON COLOR	A DIA. MIN.	B MIN.	C DIA. MAX.	O.D. MAX.	N MIN.	P MIN.	L MAX.
#22-#18	MIL-W-5086 TYPE I, II, III	SN18	YSE18-HN	15/64	RED	.061	.163	.125	.201	.123	.172	1.250
#22-#18	MIL-W-16878 TYPE B, C, E & EE											
#22-#18	MIL-W-16878 TYPE D											
#16-#14	MIL-W-5086 TYPE I, II & III	SN14	YSE14-HN	7/32	BLUE	.088	.163	.150	.234	.125	.187	1.250
#16	MIL-W-16878 TYPE B											
#16-#14	MIL-W-16878 TYPE C, D, E, & EE											
#12	MIL-W-5086 TYPE I	SN10	YSE10-HN	3/8	YELLOW	.140	.285	.220	.294	.180	.187	1.640
#12-#10	MIL-W-5086 TYPE II & III											
#12-#10	MIL-W-16878 TYPE D, E & EE											



SECTION A-A
SCALE 3 : 1

NOTES:

1. THESE SPLICES MEET REQUIREMENTS OF AS7928/5

MATERIAL:

HYLINK™ - COPPER
INSULATION - NYLON

FINISH:

HYLINK™ - TIN PLATED

TO ORDER BURNDY® PRODUCTS CALL		INSULINK™	
UNITED STATES 1-800-346-4175 (LONDONDERRY, NH)		ITEM NO: SEE TABLE	
CANADA: 1-800-361-6975 (QUEBEC) 1-800-387-6487 (ALL OTHER PROVINCES)		CAT. NO: YSE--HN, SN-- (TABLE)	
FOR PRODUCT INFO: http://www.burndy.com		DRAWN BY: R.BOISVERT 7/3/2013	
		CHECKER: E.MARTIN 7/3/2013	
		DSN APRVL: E.MARTIN	
		MFG APRVL: --	
		QA APRVL: C.KOWALCZYK 7/3/2013	
		MKT APRVL: M.BAILLY 7/3/2013	
		PROD FAM: --	
		DRAWING NO	
		PROJECT #: --	
		SIZE	
		SALES	
		REL LEVEL: Released	
		SA058461	
		SHEET 1 OF 1	
		REV	
		A	