



## Main

Product Type	Industrial Control Transformer
Power Rating	500 VA
Type	T

## Complementary

Number of Phases	1 phase
Power Rating	500 VA UL 500 VA CSA 500 VA NOM 300 VA
Temperature Rise	115 °C
Electrical Connection	Screw clamp terminals
Height	3.84 in (97.54 mm)
Width	4.5 in (114.30 mm)
Depth	5.49 in (139.45 mm)
Material	Copper winding
Fingersafe Cover Compatibility	FSC2

## Environment

Certifications	UL listed file E61239 CSA file LR37055 guide 184-N-90
Enclosure Type	Not rated (open device)
Insulation Temperature	356 °F (180 °C)

## Ordering and shipping details

Category	16201 - 9070 T (NOT TF) 250-2000VA
Discount Schedule	CP8
GTIN	00785901904700
Nbr. of units in pkg.	1
Package weight(Lbs)	12.45 lb(US) (5.65 kg)
Returnability	Yes
Country of origin	MX

## Packing Units

Package 1 Height	6.40 in (16.256 cm)
Package 1 width	6.80 in (17.272 cm)
Package 1 Length	7.70 in (19.558 cm)

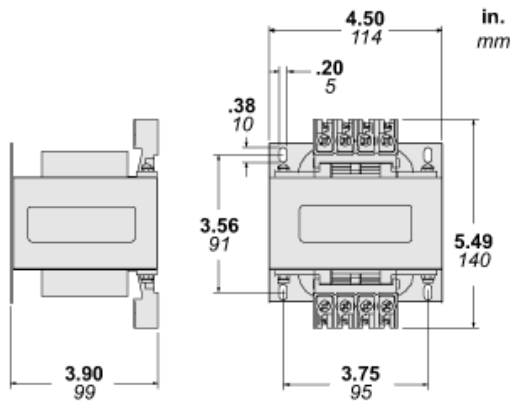
## Offer Sustainability

Sustainable offer status	Green Premium product
California proposition 65	WARNING: This product can expose you to chemicals including: Phenyl glycidyl ether, which is known to the State of California to cause cancer and birth defects or other reproductive harm. For more information go to <a href="http://www.P65Warnings.ca.gov">www.P65Warnings.ca.gov</a>
REACH Regulation	<a href="#">REACH Declaration</a>
EU RoHS Directive	Compliant <a href="#">EU RoHS Declaration</a>
Mercury free	Yes
RoHS exemption information	<a href="#">Yes</a>
China RoHS Regulation	<a href="#">China RoHS Declaration</a>
Environmental Disclosure	<a href="#">Product Environmental Profile</a>
PVC free	Yes

## Contractual warranty

Warranty	10 Years
----------	----------

Approximate Dimensions



Connections and Wiring Diagrams

Voltage and Connection Options

Voltage Code	Voltages		Connections	
	Primary	Secondary	Primary	Secondary
D1	220 x 440	110	220/230/240 V: Connect to H1 and H4 Jumper H1 and H3	Connect to X1 and X2
	230 x 460	115	Jumper H2 with H4	
	240 x 480	120	440/460/480 V: Connect to H1 and H4 Jumper H2 with H3	

