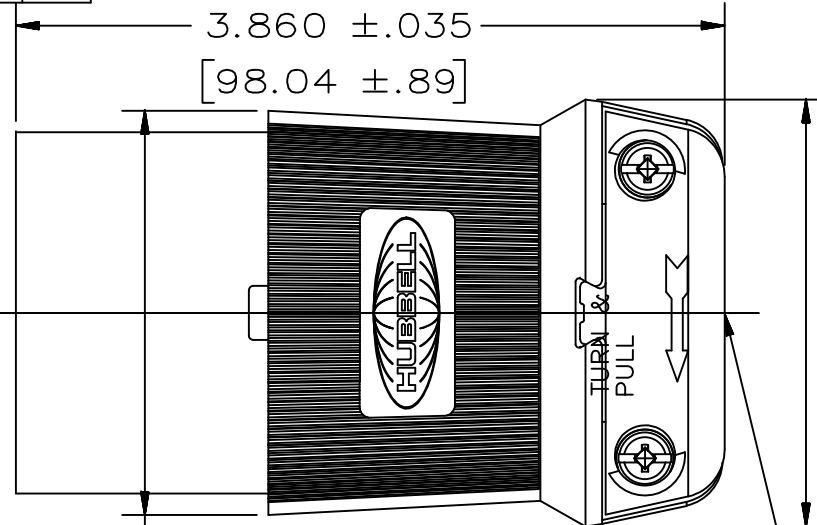
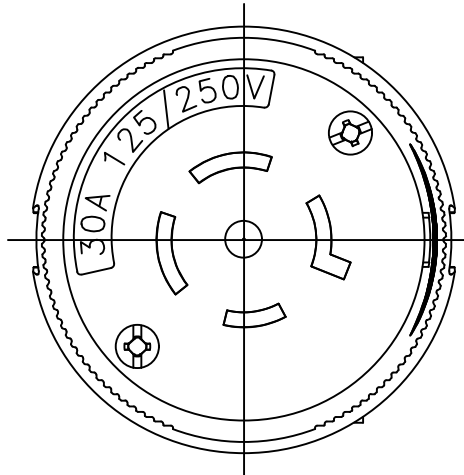
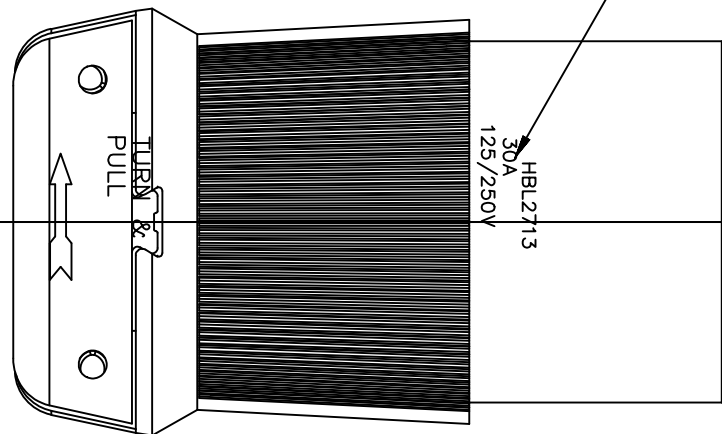


M-7904 7

CAT NO. & RATING PRINTED ON CONTACT BODY, COLOR CODE BY VOLTAGE



∅ 2.330 ±.015
[59.18 ±.38]

CORD CLAMP RANGE
∅.35-1.15
[8.89-29.21]

NOTES:

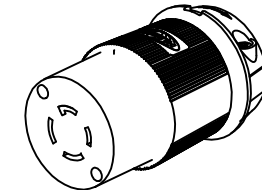
1. ALL SCREWS ARE COMBINATION PHILLIPS/SLOTTED/ROBERTSON HEAD.
2. REMOVED THIS NOTE.

NEMA NO.	RATING	POLE/WIRE	CAT NO.	CORROSION RESISTANT ^[B]	VOLTAGE COLOR CODE	UL	CSA	FED SPEC
L14-30R	125/250V	3P/4W GROUNDING	HBL2713 HBL2713BK ^[C]	HBL27CM13	ORANGE	YES	YES	YES
L15-30R	3∅250 VAC	3P/4W GROUNDING	HBL2723	HBL27CM23	BLUE	YES	YES	YES
L16-30R	3∅480 VAC	3P/4W GROUNDING	HBL2733	HBL27CM33	RED	YES	YES	YES
L17-30R	3∅600 VAC	3P/4W GROUNDING	HBL2743	HBL27CM43	BLACK	YES	YES	YES
L18-30R	3∅Y 120/208VAC	4P/4W NON-GROUNDING	HBL2753	-----	BLUE	YES	NO	YES
L19-30R	3∅Y 277/480VAC	4P/4W NON-GROUNDING	HBL2763	-----	RED	YES	YES	YES
L20-30R	3∅Y 347/60 0VAC	4P/4W NON-GROUNDING	HBL2773	-----	BLACK	YES	NO	YES
L21-30R	3∅Y 120/2 08VAC	4P/5W GROUNDING	HBL2813 HBL2813BK ^[C]	HBL28CM13	BLUE	YES	YES	YES
L22-30R	3∅Y 277/480VAC	4P/5W GROUNDING	HBL2823	-----	RED	YES	YES	YES
L23-30R	3∅Y 347/600VAC	4P/5W GROUNDING	HBL2833	-----	BLACK	YES	YES	YES
L26-30R	3∅Y 240/415VAC	4P/5W GROUNDING	HBL2803	-----	RED	YES	YES	YES

- ^[A] WHITE FINISH ON NEUTRAL CONTACT WHEN USED.
- ^[B] CM DEVICES SAME AS ABOVE EXCEPT: COVER & CORD CLAMP YELLOW TERMINAL SCREWS & CONTACT-NICKEL PLATED WIRE CLAMPS - BRASS,NICKEL PLATE ASSEM FASTENERS - STAINLESS STEEL
- ^[C] BK DEVICES ARE SAME AS ABOVE EXCEPT ALL BLACK

LIST OF PARTS

DESCRIPTION	MATERIAL	FINISH
COVER	NYLON	BLACK
CORD CLAMP	NYLON	NATURAL
CONTACT BODY	NYLON	NATURAL
RETAINER	POLY CARBONATE	CLEAR
CONTACTS	.031/040 BRASS	
CENTER GROUND CONTACT & TERM LUG (5 WIRE)	BRASS	
WIRE CLAMP	.080 CRS	NICKEL PLATE
#10 TERMINAL SCREWS	BRASS	^[A]
#10 GROUND SCREW	BRASS	GREEN
ASSEMBLY FASTENERS	STEEL	ZINC PLATE
DUST SHIELD	TPE	BLACK



CATALOG NO. HBL2813 (NOT SHOWN TO SCALE)

SYMBOL	REVISIONS	APP	DATE
7	ADDED L26-30R TO TABLE PER DCN 22357 JZW	TLS	8/30/16
6	REDRAWN WITH EMBEDDED CAD MODEL WITH NO CHANGES TO PART GEOMETRY. PER DCN 21895 SPN	DJP	02/05/16
5	ADDED DUST SHIELD TO LIST OF PARTS PER DCN 15675 SPN	DJP	4/22/09

THE DESIGN AND DIMENSIONS OF THE PRODUCT SHOWN ON THIS DRAWING ARE SUBJECT TO CHANGE WITHOUT NOTICE

TITLE 30A 4 & 5-WIRE TWIST-LOCK CONNECTOR

TOLERANCES UNLESS OTHERWISE SPECIFIED	WIRING DEVICE-KELLEMS HUBBELL INCORPORATED SHELTON, CT	
.XX= ±.01	DR. BY B.C.	APP. BY DJP
.XXX= ±.005	TR. BY	SCALE NONE
ANGLES= ±2°	CHK'D BY DJP	DATE 03/02/98

DIMENSION SHEET FOR CAT. NO. SEE TABLE

REPAIRABLE

NON-REPAIRABLE

B

M-7904

7