


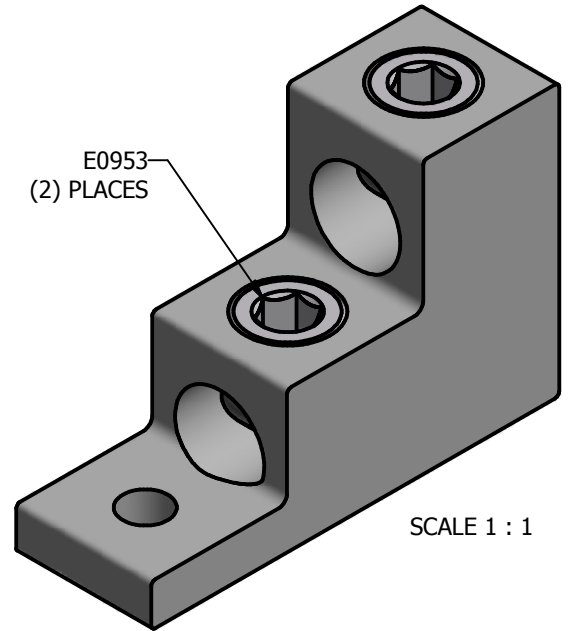
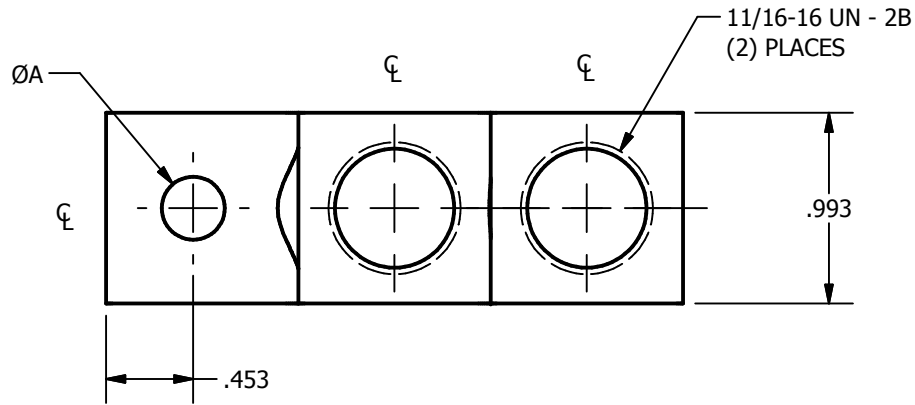
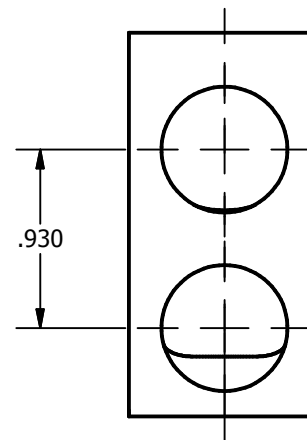
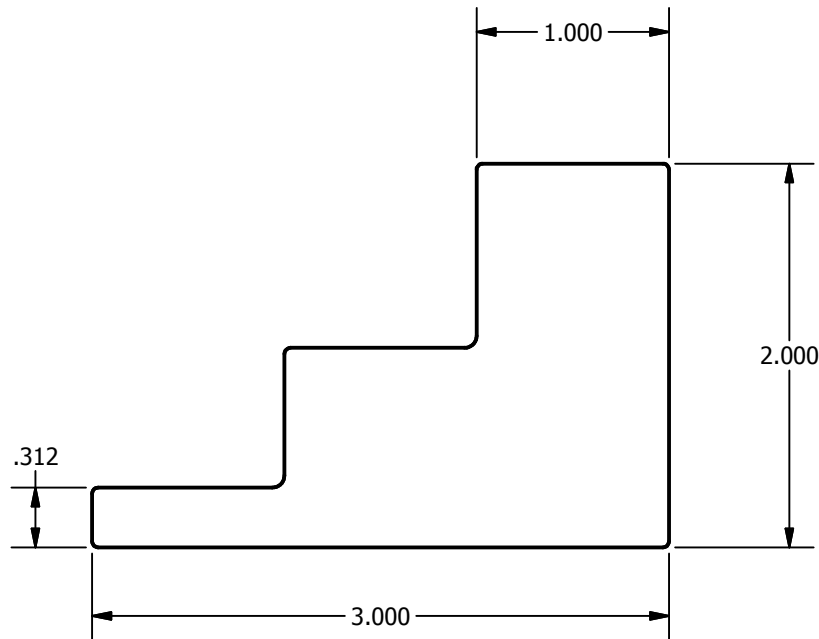


SCREW: E0953	MATERIAL: ALUMINUM	REV: E		
CAT. NO.: PB2-300	PLATING: EL-TIN	DRAWN BY: CLH	SCALE: 1:1	800-776-9775 www.ilsco.com
INFORMATION SHEET: FORM 1	MARKING: ILSCO, D1601, PB2-300, 300kcmil-6, AL9CU, AL-CU,  	DATE: 6/2/2008	SIZE: A	DWG. NO. D1601
				SHEET: 1 OF 1



SCALE 1 : 1



DEV	"A"
-23	Ø.328
-43	Ø.531