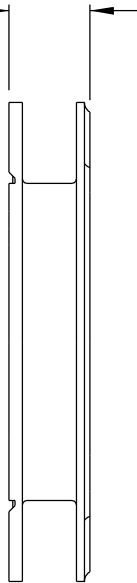
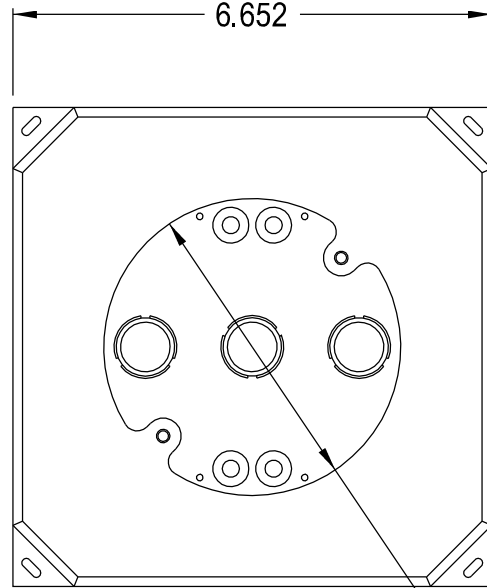


1.126



6.652



6.652

Ø 4.125

